

THE INFORMATION CONTAINED HEREIN IS CONSIDERED "PROPRIETARY" TO BEL FUSE INC. AND SHALL NOT BE COPIED, REPRODUCED OR DISCLOSED WITHOUT THE WRITTEN APPROVAL OF BEL FUSE INC.

PRELIMINARY

ELECTRICAL CHARACTERISTICS (@25°C)

NOMINAL TURNS RATIO:

(8-5) : (1-4) 1 : 1.15

CONNECT TERMINALS 2 TO 3 & 6 TO 7

DC RESISTANCE:

(1-4) 1.2 Ω MAX

(8-5) 1.2 Ω MAX

CONNECT TERMINALS 2 TO 3 & 6 TO 7

INDUCTANCE @ 10 kHz, 0.1 Vrms:

(1-4) 474 μH ±6%

CONNECT TERMINALS 2 TO 3

LEAKAGE INDUCTANCE:

(1-4) 6 μH MAX

CONNECT TERMINALS 2 TO 3 & 6 TO 7

SHORT TERMINALS 5, 6, 7, & 8

DIRECT CAPACITANCE:

BETWEEN (1-4) & (8-5) 35 pF MAX

CONNECT TERMINALS 2 TO 3 & 6 TO 7

TOTAL HARMONIC DISTORTION

12 Vpp, 150kHz, 100Ω LINE AND 75.6Ω LOAD. -82 dB MAX

MINIMUM DIELECTRIC RATING:

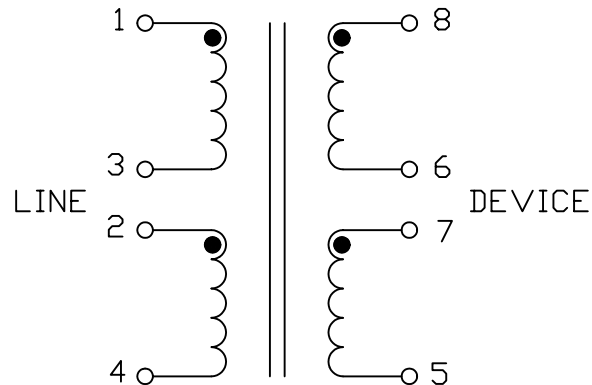
BETWEEN (1-4) & (8-5) 1500 Vrms

CONNECT TERMINALS 2 TO 3 & 6 TO 7

DESIGNED TO COMPLY WITH UL1950 AND EN60950
SUPPLEMENTARY WITH 250 VAC WORKING VOLTAGE.

OPERATING TEMPERATURE RANGE: -40°C TO +85°C

SCHEMATIC



LONGITUDINAL BALANCE: 45 dB

20kHz - 1.1 MHz

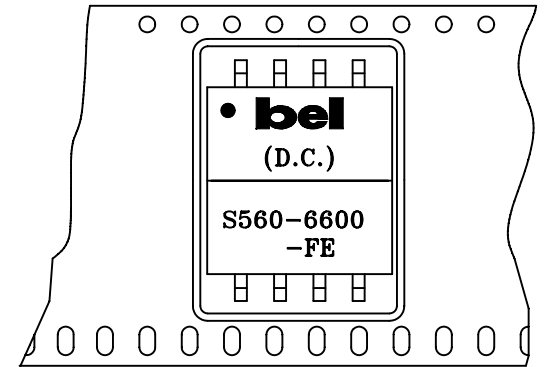
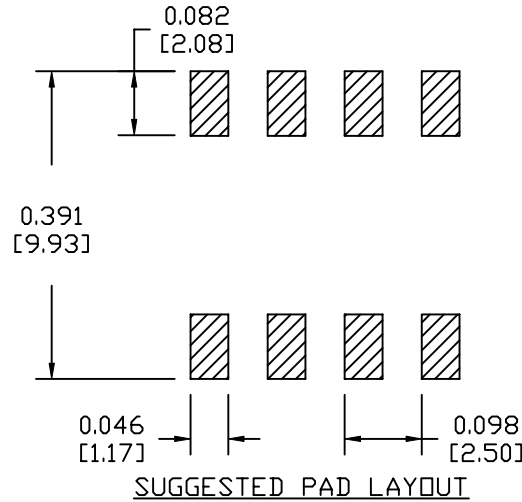
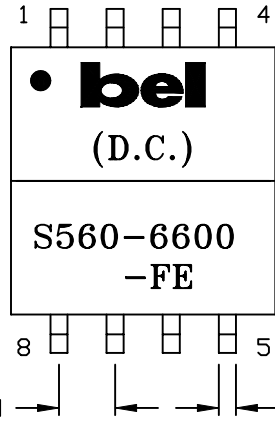
STANDARD DIMENSION TOLERANCE IN INCH		[] METRIC DIM. AS REFERENCE	
.X	/	UNIT : INCH [mm]	REV. : PE
.XX		SCALE : N/A	SIZE : A4
.XXX			PAGE : 2



DRWN	DATE	TITLE	PART NO. / DRAWING NO.
R. HARRIS	09-16-2002	ELECTRICAL SPECIFICATIONS	S560-6600-FE
CHKD	DATE		FILE NAME
H.D. NGUYEN	09-16-2002	S5606600FEPE.DWG	

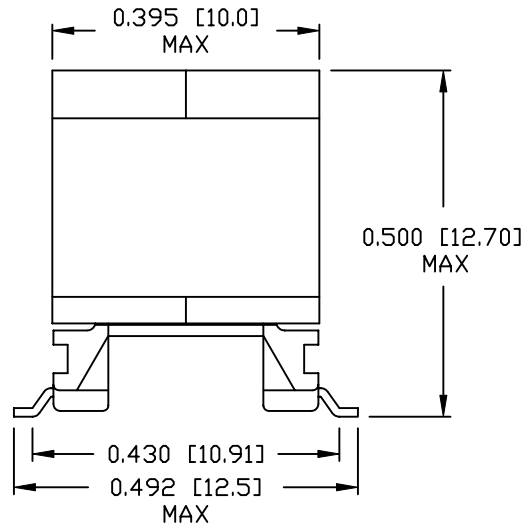
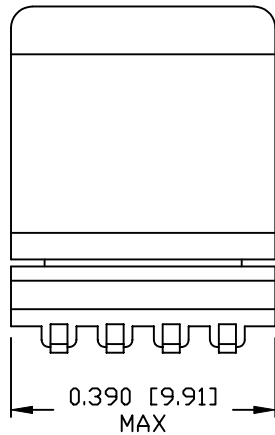
THE INFORMATION CONTAINED HEREIN IS CONSIDERED "PROPRIETARY" TO BEL FUSE INC. AND SHALL NOT BE COPIED, REPRODUCED OR DISCLOSED WITHOUT THE WRITTEN APPROVAL OF BEL FUSE INC.

PRELIMINARY



USER FEED DIRECTION
ORIENTATION OF COMPONENT INSIDE POCKET

TAPE WIDTH	24MM
POCKET PITCH	20MM
QUANTITY OF COMPONENTS PER REEL	200
PLASTIC REEL OUTER DIAMETER	13 INCHES
PLASTIC REEL HUB DIAMETER	4 INCHES



DRWN R. HARRIS DATE 09-16-2002
CHKD H.D. NGUYEN DATE 09-16-2002

TITLE MECHANICAL SPECIFICATIONS

PART NO. / DRAWING NO. S560-6600-FE
FILE NAME S5606600FEPE.DWG

STANDARD DIMENSION TOLERANCE IN INCH		[] METRIC DIM. AS REFERENCE	
.X	±0.1	UNIT : INCH [mm]	REV. : PE
.XX	±0.03	SCALE : N/A	SIZE : A4
.XXX	±0.005		PAGE : 3

