

DWG. NO. SD-54393-017

F

D

V

C

B

DO NOT SCALE DRAWING

8

7

6

5

4

3

2

1

F

E

D

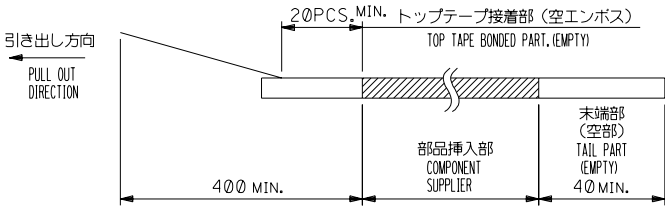
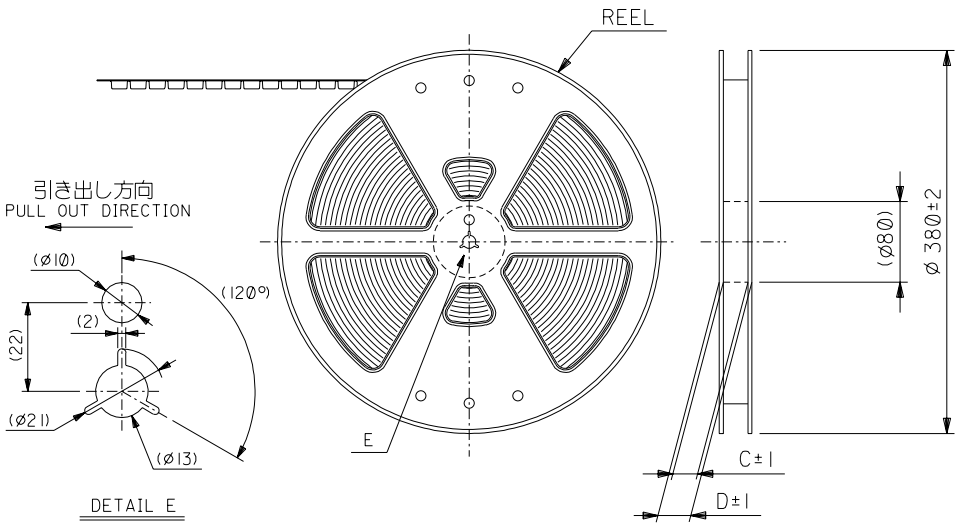
C

B

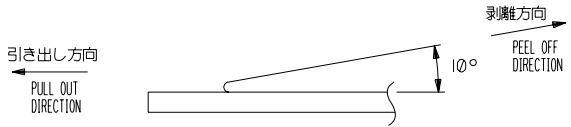
SD-54393-017.S01

注記 NOTES

- 製品詳細寸法については、図面SD-54393-022を参照下さい。
RE DETAILED DIMENSION, SEE SD-54393-022.
- 梱包数量：2000個/リール
NUMBER OF CONNECTORS : 2000PCS/REEL
- リードテープ長さ LEAD TAPE LENGTH



- トップテープの剥離強度：0.1N~1.3N {10gf~130gf} (剥離方向は下図参照)
尚、本規格値は出荷時に適用。(但し、輸送時に剥離が発生しないこと。)
PEELING OFF FORCE OF TOP TAPE : 0.1N ~ 1.3N {10gf ~ 130gf}
(PEELING DIRECTION AS SHOWN IN FOLLOWING FIG,)
THIS REQUIREMENT SHOULD BE APPLIED AT SHIPMENT.
PEEL OFF SHOULD NOT BE ALLOWED, DURING TRANSPORTATION.



- 材料 (MATERIAL)
キャリアテープ (CARRIER TAPE) : ポリプロピレン (POLYPROPYLENE)
トップテープ (TOP TAPE) : PET, PE, PEF
リール (REEL) : ポリスチレン (PS) <リサイクル材を含む>
POLYSTYREN (PS) <RECYCLE MATERIAL CONTAINED>
- 本製品は54393-**92の鉛フリー品です。
THIS PRODUCT IS LEAD FREE OF 54393-**92

EC NO. DRWN: CHK: APPR:		EC NO. DRWN: CHK: APPR:		EC NO. DRWN: CHK: APPR:		REVISED EC NO. J2004-2846 DRWN:MINOMIYA '04/03/03 CHK: K.TOUJO '04/03/03 APPR:M.SASAO '04/03/03		RELEASED EC NO. J2004-1672 DRWN:T.UENO '03/12/22 CHK: M.SASAO '03/12/22 APPR:M.SASAO '03/12/22		MATERIAL 材料 注記参照 SEE NOTES		GENERAL TOLERANCES: (UNLESS SPECIFIED) 一般公差		54393-**82		MODEL NO.		DIMENSIONS:		SHT		REV	
						A		0		//		10 UNDER 未満 ±0.2		DRAWN BY & DATE T.UENO '03/12/22		THIRD ANGLE PROJECTION		mm INCH mm INCH				REVISE ON CAD ONLY	
										//		10 OVER 30 UNDER 未満 ±0.25		CHECKED BY & DATE M.SASAO '03/12/22		TITLE: 0.3 FPC Conn (Easy on) Hsg Assy Embstp Pkg -LEAD FREE-							
										//		30 OVER 以上 ±0.3		APPROVED BY & DATE M.SASAO '03/12/22		MOLEX INCORPORATED							
										//		ANGLE 角度 ±3°		CAD FILENAME SD-54393-017.S01		MATERIAL NO. SEE CHART		DRAWING NO. SD-54393-017				SHEET NO. 1 OF 4	
										//				THIS DRAWING CONTAINS INFORMATION THAT IS PROPRIETARY TO MOLEX INCORPORATED AND SHOULD NOT BE USED WITHOUT WRITTEN PERMISSION.								SIZE B	

8

7

6

5

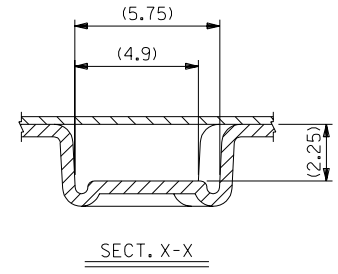
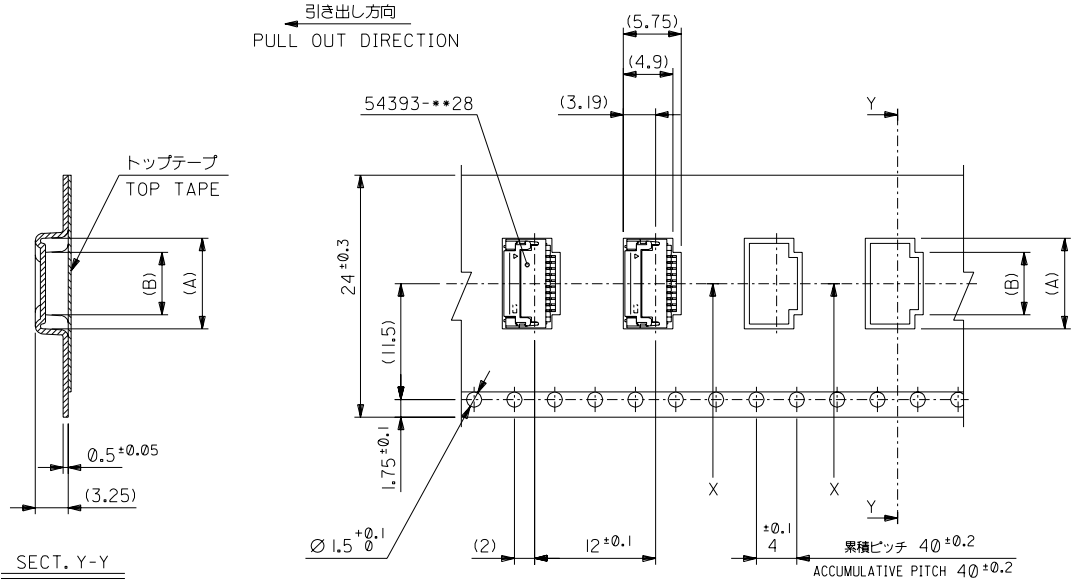
4

3

2

EN-02J(097) MXJ-54

DWG. NO. SD-54393-017



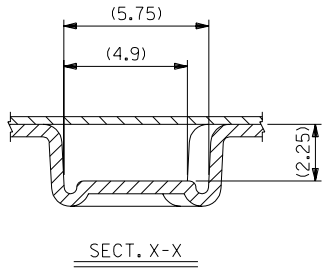
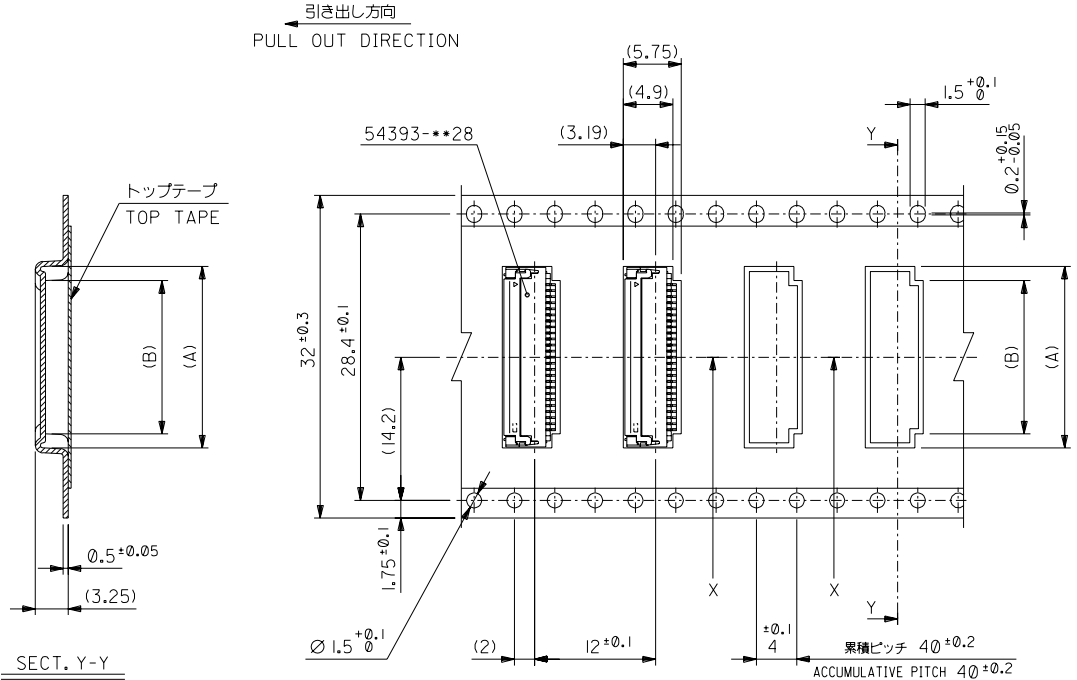
24mm幅キャリアテープ
24mm WIDTH CARRIER TAPE

24	29.4	25.4	13.4	16.2	54393-4582	45
			11.6	14.4	54393-3982	39
			9.8	12.6	54393-3382	33
			8	10.8	54393-2782	27
			6.8	9.6	54393-2382	23
			6.2	9.0	54393-2182	21
キャリアテープ幅 CARRIER TAPE WIDTH	D	C	B	A	MATERIAL NO.	種数 CKT.

DO NOT SCALE DRAWING

EC NO. DRWN: CHK: APPR:	EC NO. DRWN: CHK: APPR:	EC NO. DRWN: CHK: APPR:	REVISED EC NO. J2004-2846 DRWN:MINOMIYA '04/03/03 CHK: K.TOUJO '04/03/03 APPR:M.SASAO '04/03/03 RELEASED	EC NO. J2004-1672 DRWN:T.UENO '03/12/22 CHK: M.SASAO '03/12/22 APPR:M.SASAO '03/12/22	MATERIAL 材料 注記参照 SEE NOTES	GENERAL TOLERANCES: (UNLESS SPECIFIED) 一般公差	SCALE --// DESIGN UNITS <input checked="" type="checkbox"/> mm <input type="checkbox"/> INCH	MODEL NO. 54393-***82	DIMENSIONS: <input type="checkbox"/> mm <input type="checkbox"/> INCH <input checked="" type="checkbox"/> mm ONLY		SHT	REV
			A	0	FINISH 仕上げ //	10 UNDER 未満	±0.2	DRAWN BY & DATE T.UENO '03/12/22	THIRD ANGLE PROJECTION			
					WIRE RANGE 適用線径範囲 //	10 OVER 以上	±0.25	CHECKED BY & DATE M.SASAO '03/12/22	TITLE: 0.3 FPC Conn (Easy on) Hsg Assy Embstp Pkg -LEAD FREE-			
					INS. RANGE 被覆外径 //	30 OVER 以上	±0.3	APPROVED BY & DATE M.SASAO '03/12/22	MOLEX INCORPORATED			
					ANGLE 角度 ±3°			CAD FILENAME SD-54393-017.S03	MATERIAL NO. SEE CHART	DRAWING NO. SD-54393-017	SHEET NO. 3 OF 4	SIZE B
THIS DRAWING CONTAINS INFORMATION THAT IS PROPRIETARY TO MOLEX INCORPORATED AND SHOULD NOT BE USED WITHOUT WRITTEN PERMISSION.												

DWG. NO. SD-54393-017



32mm幅キャリアテープ
32mm WIDTH CARRIER TAPE

DO NOT SCALE DRAWING

EC NO. DRWN: CHK: APPR:	EC NO. DRWN: CHK: APPR:	EC NO. DRWN: CHK: APPR:
----------------------------------	----------------------------------	----------------------------------

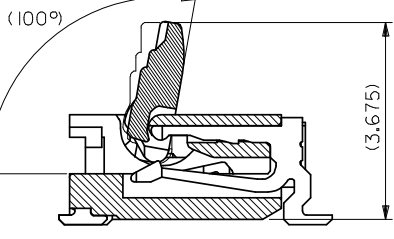
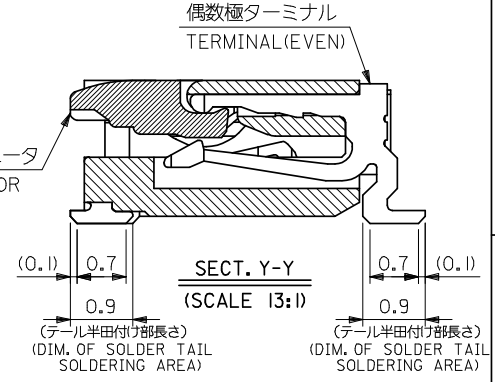
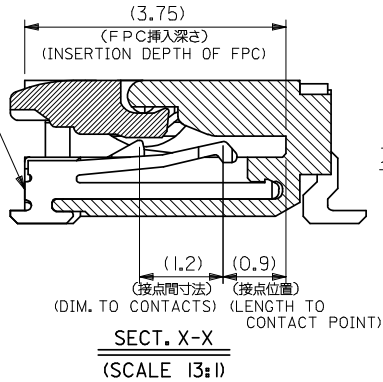
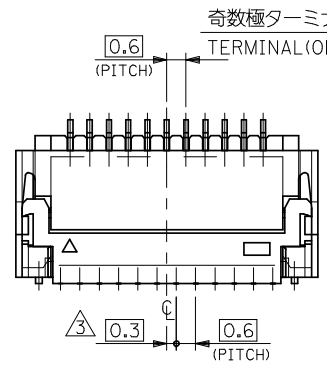
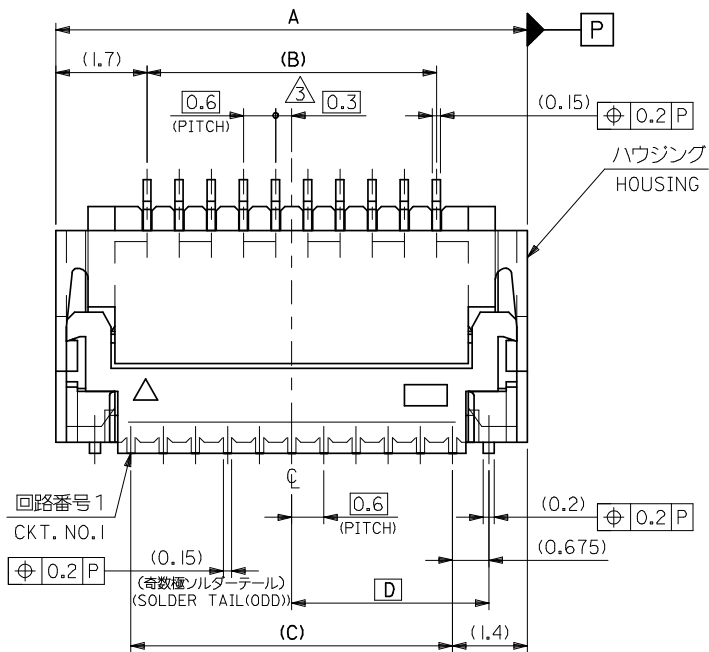
REVISED EC NO. J2004-2846 DRWN:MINOMIYA '04/03/03 CHK: K.TOUJ '04/03/03 APPR:M.SASAO '04/03/03	RELEASED EC NO. J2004-1672 DRWN:T.UENO '03/12/22 CHK: M.SASAO '03/12/22 APPR:M.SASAO '03/12/22
--	--

MATERIAL 材料	注記参照 SEE NOTES
FINISH 仕上げ	//
WIRE RANGE 適用線径範囲	//
INS. RANGE 被覆外径	//

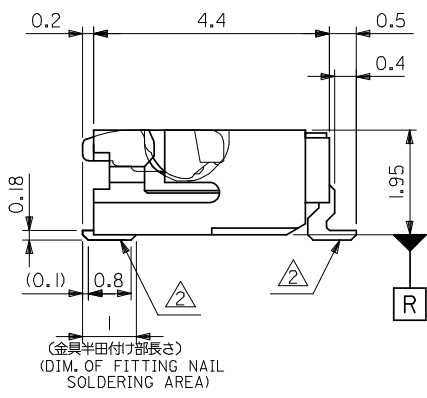
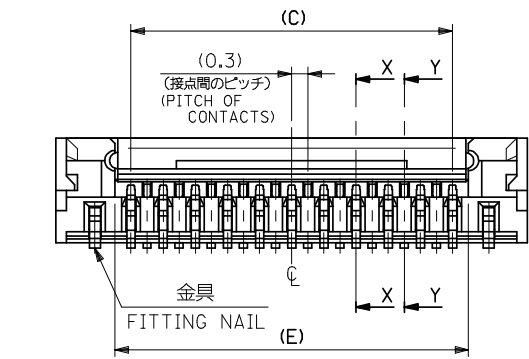
GENERAL TOLERANCES: (UNLESS SPECIFIED) 一般公差	10 UNDER 未満	±0.2
	10 OVER 30 UNDER 以上 未満	±0.25
	30 OVER 以上	±0.3
ANGLE 角度		±3°

32	37.4	33.4	15.2	18.0	54393-5182	51
キャリアテープ幅 CARRIER TAPE WIDTH	D	C	B	A	MATERIAL NO.	種数 CKT.
SCALE //	DESIGN UNITS <input checked="" type="checkbox"/> mm <input type="checkbox"/> INCH	MODEL NO. 54393-***82	DIMENSIONS: <input type="checkbox"/> mm <input type="checkbox"/> INCH <input checked="" type="checkbox"/> mm ONLY		SHT	REV
DRAWN BY & DATE T.UENO '03/12/22	CHECKED BY & DATE M.SASAO '03/12/22	THIRD ANGLE PROJECTION		TITLE: 0.3 FPC Conn (Easy on) Hsg Assy Embstp Pkg -LEAD FREE-		
APPROVED BY & DATE M.SASAO '03/12/22	CAD FILENAME SD-54393-017.S04		MATERIAL NO. SEE CHART		DRAWING NO. SD-54393-017	SHEET NO. 4 OF 4
THIS DRAWING CONTAINS INFORMATION THAT IS PROPRIETARY TO MOLEX INCORPORATED AND SHOULD NOT BE USED WITHOUT WRITTEN PERMISSION.						SIZE B

SD-54393-017.S04



アクチュエータを開口した状態
WHEN ACTUATOR IS OPENED

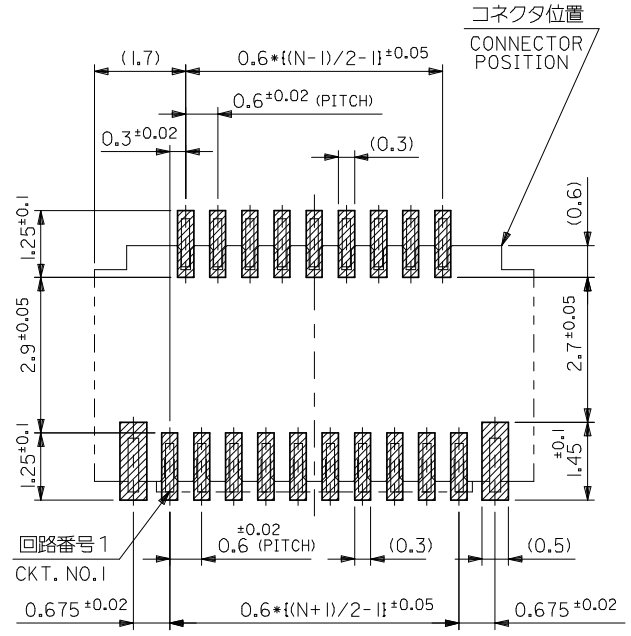


注記 NOTES

- 使用材料 MATERIAL
 ハウジング : LCP , UL94V-0
 HOUSING
 アクチュエータ : PPS , UL94V-0
 ACTUATOR
 ターミナル : リン青銅 (t=0.15), ニッケル下地鍍ピスマスメッキ
 TERMINAL : PHOS-BRO., TIN-BISMUTH OVER NICKEL PLATING.
 金具 : リン青銅 (t=0.2), ニッケル下地鍍メッキ
 FITTING NAIL : PHOS-BRO., TIN OVER NICKEL PLATING.
 ソルダータール半田付け面のスレ量、及び金具半田付け面のスレ量は、基準面 R に対し、
 上方向 OMA X、下方向 O. 1.8 MAX. とする。
 又、相互のパラッキ量は O. 1 MAX. とする。
 MISALIGNMENT OF SOLDER TAILS AND FITTING NAILS FROM R
 UPPER DIRECTION : 0 MAX., LOWER DIRECTION : 0.18 MAX.
 OFFSET BETWEEN SOLDER TAILS AND FITTING NAILS : 0.1 MAX.
 (N-1)/2 が偶数の場合、偶数極側に適用。
 (N-1)/2 が奇数の場合、奇数極側に適用。
 IF (N-1)/2 = EVEN, APPLY FOR EVEN CIRCUIT SIDE,
 IF (N-1)/2 = ODD, APPLY FOR ODD CIRCUIT SIDE,
- 一般公差 : ±0.3
 GENERAL TOLERANCES : ±0.3
- 本製品は 54393-**27 の鉛フリー品です
 THIS PRODUCT IS LEAD FREE OF 54393-**27

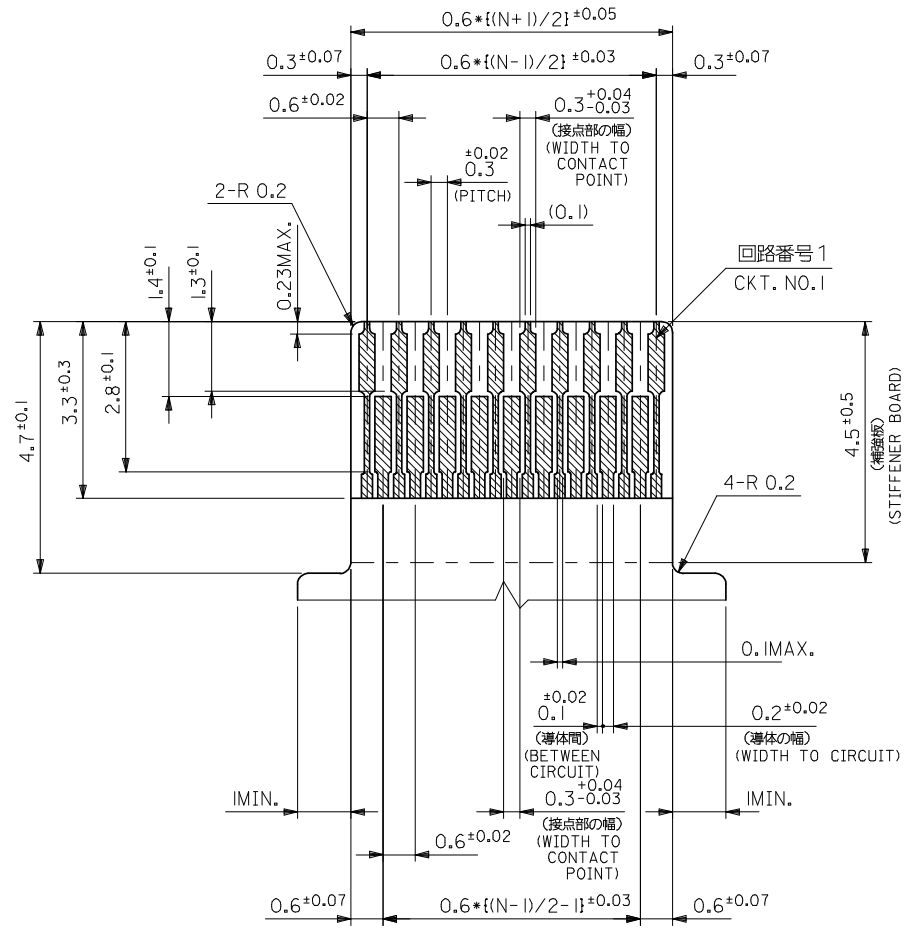
15.6	8.175	15	14.4	17.8	54393-5182	54393-5128	51
13.8	7.275	13.2	12.6	16	54393-4582	54393-4528	45
12	6.375	11.4	10.8	14.2	54393-3982	54393-3928	39
10.2	5.475	9.6	9	12.4	54393-3382	54393-3328	33
8.4	4.575	7.8	7.2	10.6	54393-2782	54393-2728	27
7.2	3.975	6.6	6.0	9.4	54393-2382	54393-2328	23
6.6	3.675	6	5.4	8.8	54393-2182	54393-2128	21
5.4	3.075	4.8	4.2	7.6	54393-1782	54393-1728	17
E	D	C	B	A	EMBOSSED TAPE		MATERIAL NO. CKT.
					ORDER No. オート番号		

REVISED EC NO: J2008-4034 2008/05/28 DRWN:WABEI 2008/05/28 CHKD:THARUYAMA 2008/05/28 APPR:NUKITA 2008/05/28	GENERAL TOLERANCES (UNLESS SPECIFIED)		DIMENSION STYLE MM ONLY		SCALE 10:1	DESIGN UNITS METRIC	THIRD ANGLE PROJECTION	
	10 UNDER	± ---	DRAWN BY T. UENO	DATE '03/12/22	TITLE 0.3 FPC CONN (EASY ON) HSG ASSY -LEAD FREE-			
	10 OVER 30 UNDER	± ---	CHECKED BY M. SASAO	DATE '03/12/22				
	30 OVER	± ---	APPROVED BY M. SASAO	DATE '03/12/22	MOLEX INCORPORATED			
	ANGULAR	± --- °	MATERIAL NO. SEE TABLE					
DRAFT WHERE APPLICABLE MUST REMAIN WITHIN DIMENSIONS		THIS DRAWING CONTAINS INFORMATION THAT IS PROPRIETARY TO MOLEX INCORPORATED AND SHOULD NOT BE USED WITHOUT WRITTEN PERMISSION						



FPC挿入側
FPC INSERTION SIDE

参考基板レイアウト
RECOMMENDED P.C.BOARD
PATTERN DIM. (REF.)
(マウント面)
(MOUNTING SIDE)



適合FPC推奨寸法
APPLICABLE FPC
RECOMMENDED DIM.
(仕上がり厚さ: 0.2±0.03)
(THICKNESS: 0.2±0.03)

FPCについて:
打抜き方向は導体側から補強板側を推奨致します。
補強フィルム材質はポリイミドを推奨致します。
接着剤は熱硬化接着剤を推奨致します。

ABOUT FPC:
RECOMMENDED PUNCHER DIRECTION : FROM CONDUCTOR SIDE TO STIFFENER BOARD SIDE.
RECOMMENDED MATERIAL:
STIFFENER FILM : POLYIMIDE
BONDING AGENT : THERMOSETTING BONDING AGENT

REVISED EC NO: J2008-4034 DRWN:WABEI CHKD:THARUYAMA APPR:NUKITA	DESCRIPTION 2008/05/28 2008/05/28 2008/05/28	GENERAL TOLERANCES (UNLESS SPECIFIED)		DIMENSION STYLE MM ONLY		SCALE 10:1	DESIGN UNITS METRIC	THIRD ANGLE PROJECTION	
		10 UNDER	± ---	DRAWN BY T. UENO	DATE '03/12/22	TITLE 0.3 FPC CONN (EASY ON) HSG ASSY -LEAD FREE-			
		10 OVER 30 UNDER	± ---	CHECKED BY M. SASAO	DATE '03/12/22	MOLEX INCORPORATED			
		30 OVER	± ---	APPROVED BY M. SASAO	DATE '03/12/22	DOCUMENT NO. SD-54393-022		SHEET NO. 2 OF 2	
		ANGULAR	± --- °	MATERIAL NO. SEE SHEET 1					
DRAFT WHERE APPLICABLE MUST REMAIN WITHIN DIMENSIONS		THIS DRAWING CONTAINS INFORMATION THAT IS PROPRIETARY TO MOLEX INCORPORATED AND SHOULD NOT BE USED WITHOUT WRITTEN PERMISSION							