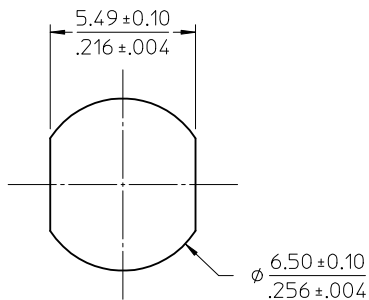
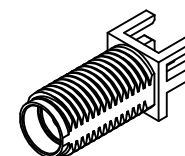


MATERIALS AND FINISHES

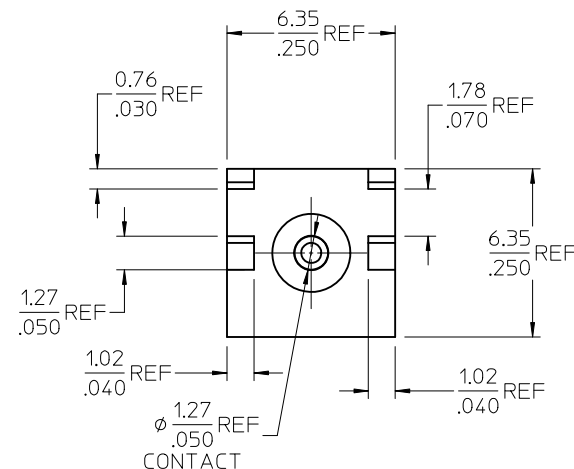
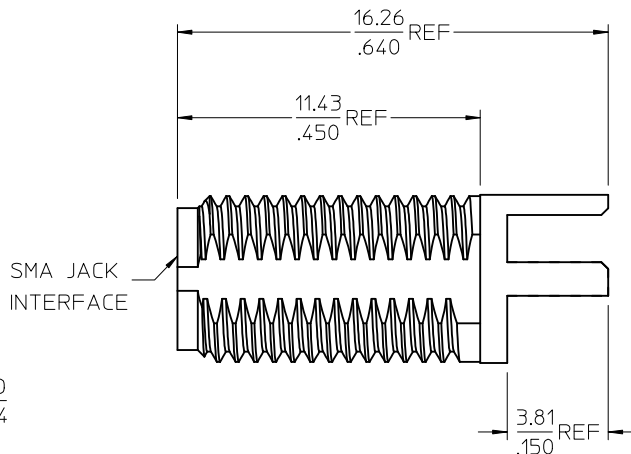
BODY: BRASS
PLATED: GOLD

CENTER CONTACT: BeCu
PLATED: GOLD

INSULATOR: TEFLON

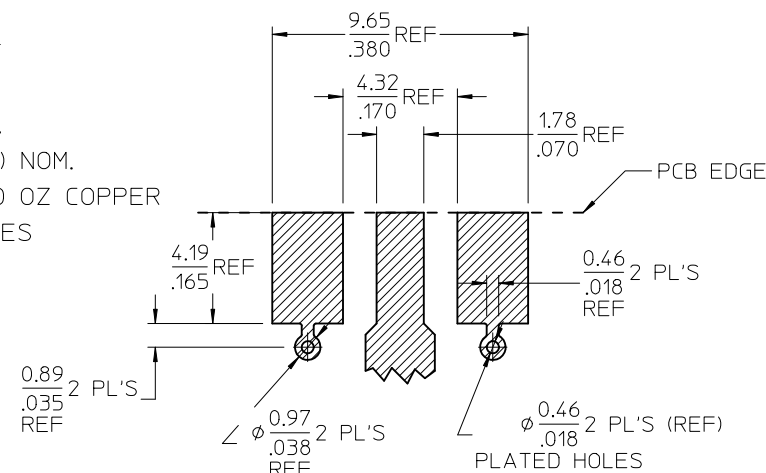


RECOMMENDED PANEL CUTOUT



RECOMMENDED PAD LAYOUT

BASE WIDTH: 6.35(.250) NOM.
BOARD THICKNESS: 1.57(.062) NOM.
BOARD MATERIAL: FR4 W/1.0 OZ COPPER
BOTH SIDES



SEE PAGE 2 FOR OTHER PART NUMBERS

73251-2123	ONE PIECE 73251-2120 PER BAG
73251-2120	TRAY
PART NO.	PACKAGING

PS-89675-3460	PRODUCT SPECIFICATION
MIL-STD-348A, FIG. 310.2	INTERFACE
SPECIFICATION	DESCRIPTION

CHG: ADD -2123

EC NO: URF2011-0619
DRAWN: JWIENER 2011/04/19
CHKD: SSS 2011/04/20
APPR: JWIENER 2011/04/20

DESCRIPTION
REV

QUALITY SYMBOLS
▽=0
▽=0

GENERAL TOLERANCES (UNLESS SPECIFIED)

	mm	INCH
4 PLACES ±	---	± ---
3 PLACES ±	---	± ---
2 PLACES ±	---	± ---
1 PLACE ±	---	± ---

ANGULAR ± 2 °

DRAFT WHERE APPLICABLE
MUST REMAIN
WITHIN DIMENSIONS

DIMENSION STYLE
MM/IN

DRAWN BY DATE
SSS 2003/07/09

CHECKED BY DATE
TEF 2003/07/09

APPROVED BY DATE
JWIENER 2010/10/27

MATERIAL NO.
SEE TABLE

SIZE
C

SCALE
DESIGN UNITS
METRIC

THIRD ANGLE PROJECTION

TITLE
SMA JACK, EDGE MOUNT
.062 BOARD, 50 OHMS,
EWR-2074 SMA-J/PCB

MOLEX MOLEX INCORPORATED

DOCUMENT NO.
SD-73251-212

SHEET NO.
1 OF 2

THIS DRAWING CONTAINS INFORMATION THAT IS PROPRIETARY TO MOLEX INCORPORATED AND SHOULD NOT BE USED WITHOUT WRITTEN PERMISSION

MATERIALS AND FINISHES

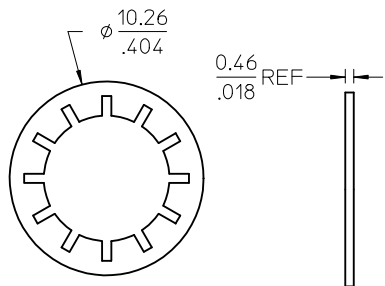
BODY, JAM NUT, FLAT WASHER: BRASS
PLATED: GOLD

CENTER CONTACT: BeCu
PLATED: GOLD

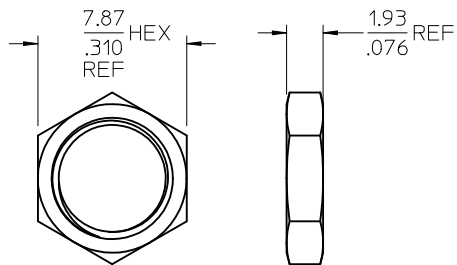
INSULATOR: TEFLON

LOCKWASHER: PHOSPHOR BRONZE
PLATED: GOLD

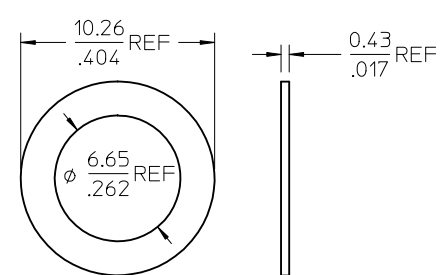
PACKAGING: TRAY



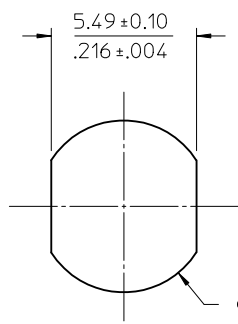
LOCKWASHER
(73251-2121 ONLY)



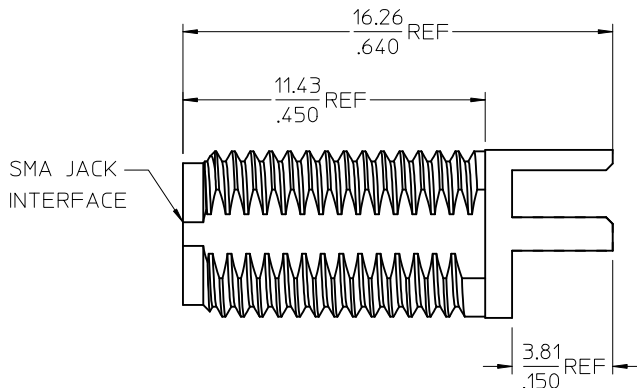
JAM NUT
73251-2121 AND -2122



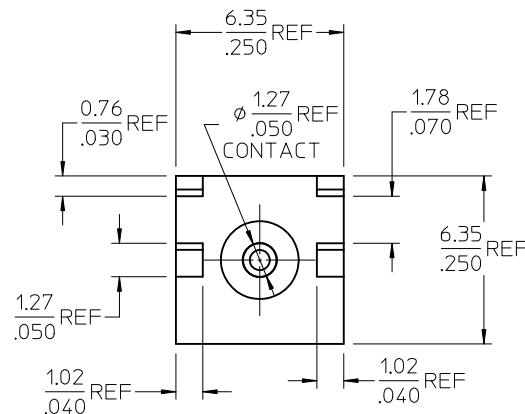
FLAT WASHER
(73251-2122 ONLY)



RECOMMENDED PANEL CUTOUT

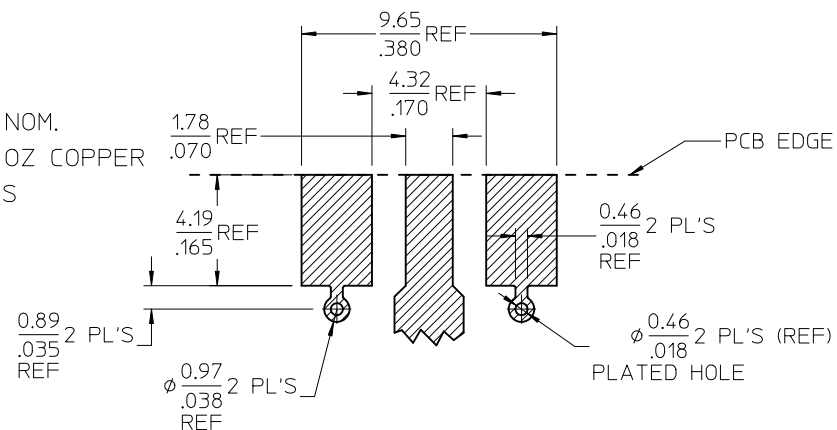


SMA JACK
INTERFACE



RECOMMENDED PAD LAYOUT

BASE WIDTH: 6.35(.250) NOM.
BOARD THICKNESS: 1.57(.062) NOM.
BOARD MATERIAL: FR4 W/1.0 OZ COPPER
BOTH SIDES



PART # 73251-2122 (WITH FLAT WASHER/JAM NUT)

PART # 73251-2121 (WITH LOCKWASHER/JAM NUT)

PS-89675-3460	PRODUCT SPECIFICATION
MIL-STD-348A, FIG. 310.2	INTERFACE
SPECIFICATION	DESCRIPTION

CHG: SEE SHEET 1	QUALITY SYMBOLS	GENERAL TOLERANCES (UNLESS SPECIFIED)	DIMENSION STYLE	SCALE	DESIGN UNITS	THIRD ANGLE PROJECTION
EC NO: URF2011-0619	▽=0	mm	MM/IN	METRIC	MM/IN	MM/IN
DRWN:JWIENER 2011/04/19	▽=0	INCH	DRAWN BY	DATE	TITLE	
CHKD:SSS 2011/04/20			SSS	2003/07/09	SMA JACK, EDGE MOUNT	
APPR:JWIENER 2011/04/20			CHECKED BY	DATE	.062 BOARD, 50 OHMS,	
			TEF	2003/07/09	EWR-2074 SMA-J/PCB	
			APPROVED BY	DATE		
			JWIENER	2010/10/27		
			MATERIAL NO.	DOCUMENT NO.		
			SEE TABLE	SD-73251-212		
			DRAFT WHERE APPLICABLE			
			MUST REMAIN WITHIN DIMENSIONS			
			SIZE			
			C			