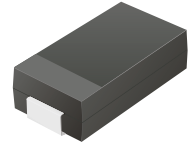


CDBB520-G Thru. CDBB5100-G

Reverse Voltage: 20 to 100 Volts

Forward Current: 5.0 Amp

RoHS Device

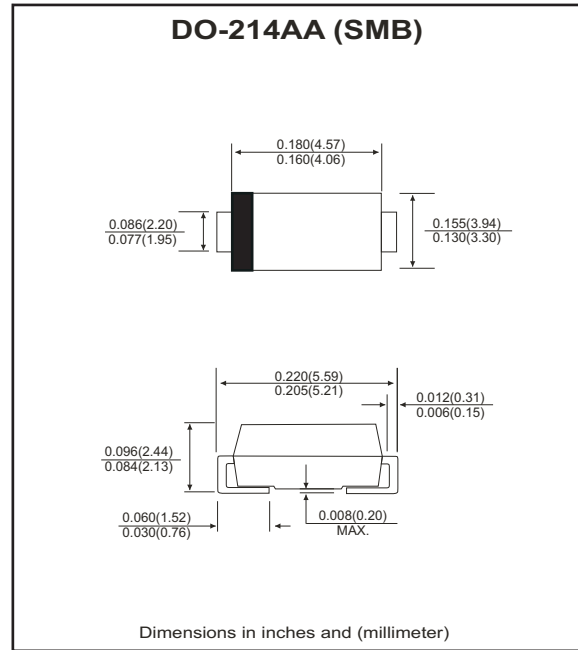


Features

- Ideal for surface mount applications.
- For use in low voltage, high frequency inverters.
- Epitaxial construction.
- Metal-semiconductor junction with guarding.
- High current capability.
- Low forward voltage drop.

Mechanical data

- Case: JEDEC DO-214AA, molded plastic.
- Terminals: Solderable per MIL-STD-750, method 2026.
- Polarity: Color band denotes cathode end.
- Approx. weight: 0.093 grams



Maximum Ratings and Electrical Characteristics

| Parameter | Symbol | CDBB 520-G | CDBB 530-G | CDBB 540-G | CDBB 550-G | CDBB 560-G | CDBB 580-G | CDBB 5100-G | Units |
|--|------------------------------------|-------------|------------|------------|------------|------------|------------|-------------|---------------|
| Max. repetitive peak reverse voltage | V_{RRM} | 20 | 30 | 40 | 50 | 60 | 80 | 100 | V |
| Max. DC blocking voltage | V_{DC} | 20 | 30 | 40 | 50 | 60 | 80 | 100 | V |
| Max. RMS voltage | V_{RMS} | 14 | 21 | 28 | 35 | 42 | 56 | 70 | V |
| Peak surge forward current, 8.3ms single half sine-wave superimposed on rate load (JEDEC method) | I_{FSM} | 175 | | | | | | | A |
| Max. average forward rectified current at $T_L=90^{\circ}C$ | $I_{(AV)}$ | 5.0 | | | | | | | A |
| Max. instantaneous forward voltage at 5.0A DC @ $T_c=100^{\circ}C$ | V_F | 0.55 | | | 0.70 | | | V | |
| Max. DC reverse current at $T_J=25^{\circ}C$ rated DC blocking voltage $T_J=100^{\circ}C$ | I_R | 0.5 20 | | | | | | | mA |
| Max. operating junction temperature | C_J | 300 | | | | | | | PF |
| Max. thermal resistance | $R_{\theta JA}$ $R_{\theta JL}$ | 50 10 | | | | | | | $^{\circ}C/W$ |
| Max. operating junction temperature | T_J | -55 to +125 | | | | | | | $^{\circ}C$ |
| Storage temperature | T_{STG} | -55 to +150 | | | | | | | $^{\circ}C$ |

Notes: 1. Measured at 1.0MHz and applied reverse voltage of 4.0V DC.
2. Thermal resistance junction to lead.

RATING AND CHARACTERISTIC CURVES (CDBB520-G thru CDBB5100-G)

Fig.1 - Forward Current Derating Curve

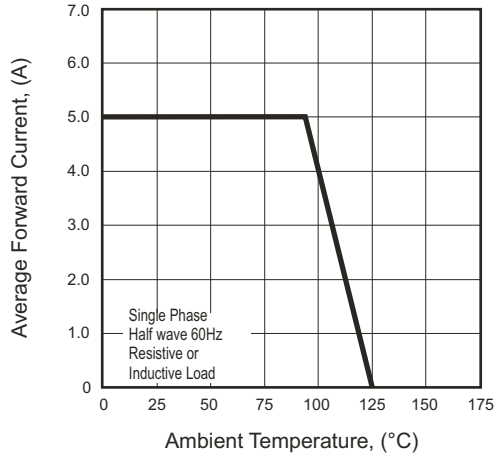


Fig.2 - Maximum Non-Repetitive Surge Current

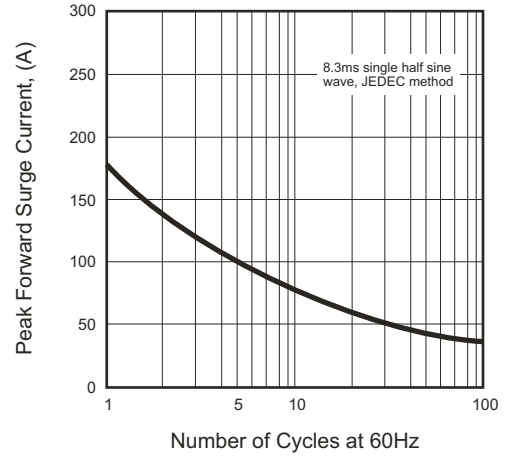


Fig.3 - Typical Instantaneous Forward Characteristics

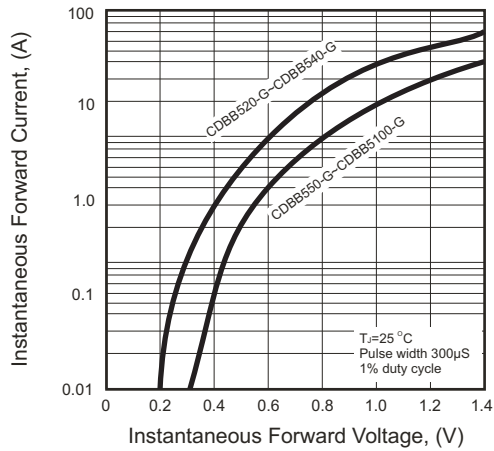


Fig.4 - Typical Junction Capacitance

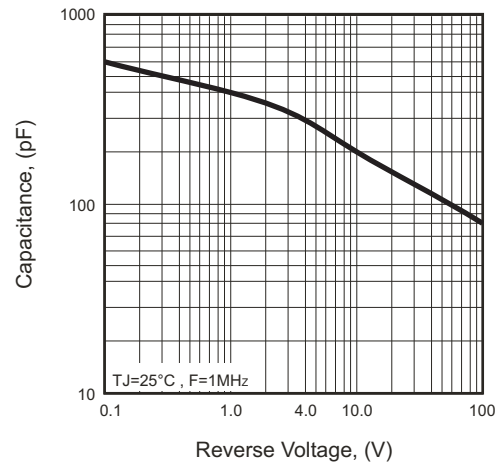
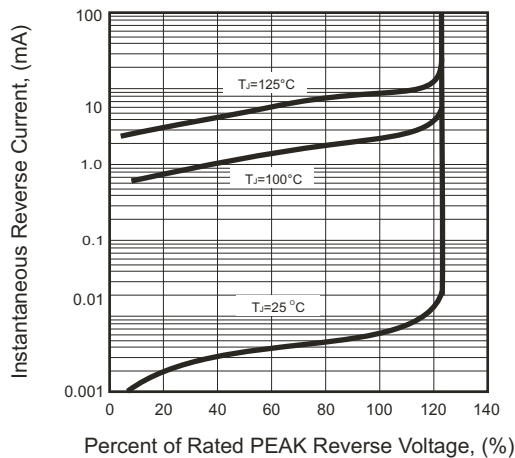
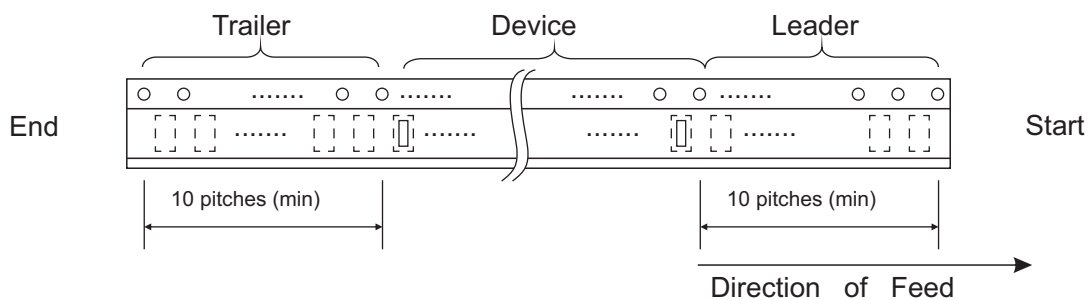
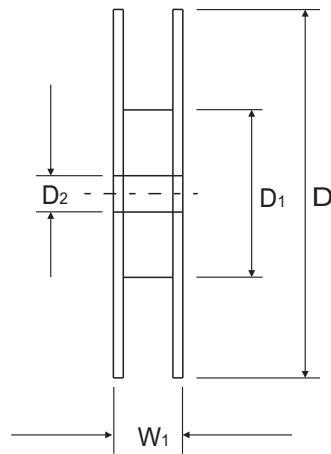
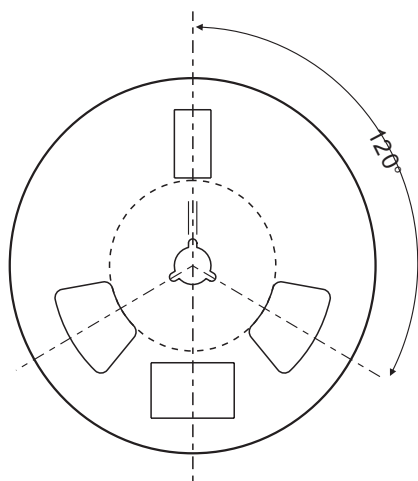
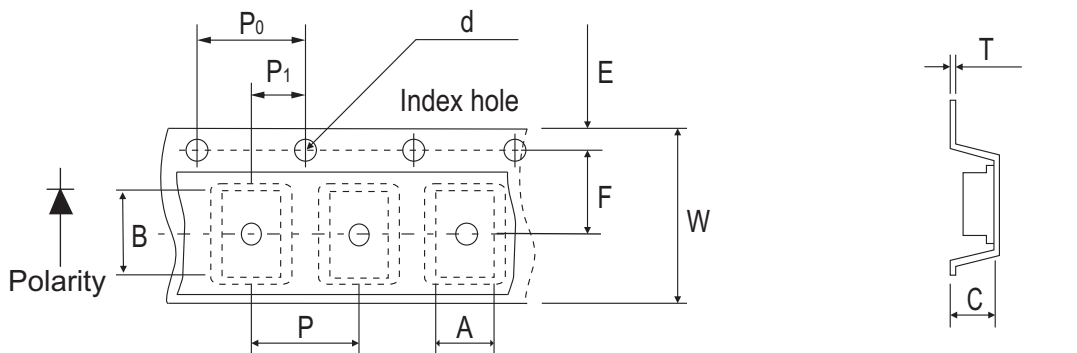


Fig.5 - Typical Reverse Characteristics



Reel Taping Specification

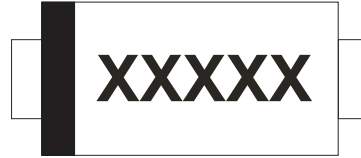


| DO-214AA (SMB) | SYMBOL | A | B | C | d | D | D1 | D2 |
|----------------|--------|------------|------------|------------|------------------------------|---------------|------------|---------------|
| | (mm) | 4.00 MAX. | 5.90 MAX. | 3.00 MAX. | 1.50 ± 0.10 _{DIA} | 330 ± 2.00 | 50.0 MIN. | 13.50 ± 1.0 |
| | (inch) | 0.157 MAX. | 0.232 MAX. | 0.118 MAX. | 0.059 ± 0.004 _{DIA} | 12.99 ± 0.079 | 1.969 MIN. | 0.531 ± 0.039 |

| DO-214AA (SMB) | SYMBOL | E | F | P | P0 | P1 | T | W | W1 |
|----------------|--------|---------------|---------------|---------------|---------------|---------------|---------------|---------------|-----------|
| | (mm) | 1.75 ± 0.10 | 5.50 ± 0.05 | 8.00 ± 0.10 | 4.00 ± 0.10 | 2.00 ± 0.05 | 0.60 MAX | 12.0 ± 0.30 | 18.4 MAX. |
| | (inch) | 0.069 ± 0.004 | 0.217 ± 0.002 | 0.315 ± 0.004 | 0.157 ± 0.004 | 0.079 ± 0.004 | 0.236 ± 0.004 | 0.472 ± 0.012 | 0.724 MAX |

Marking Code

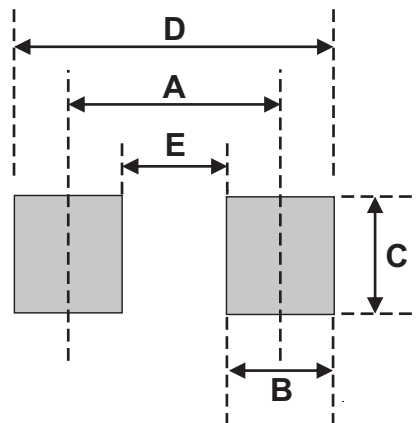
| Part Number | Marking Code |
|-------------|--------------|
| CDBB520-G | SS52 |
| CDBB530-G | SS53 |
| CDBB540-G | SS54 |
| CDBB550-G | SS55 |
| CDBB560-G | SS56 |
| CDBB580-G | SS58 |
| CDBB5100-G | SS510 |



xxxxx = Product type marking code

Suggested PAD Layout

| SIZE | DO-214AA(SMB) | |
|------|---------------|--------|
| | (mm) | (inch) |
| A | 4.30 | 0.169 |
| B | 2.50 | 0.098 |
| C | 2.30 | 0.091 |
| D | 6.80 | 0.268 |
| E | 1.80 | 0.071 |



Standard Packaging

| Case Type | REEL PACK | |
|----------------|--------------|------------------|
| | REEL (pcs) | Reel Size (inch) |
| DO-214AA (SMB) | 3,000 | 13 |