

Product Specification

SPECIFICATION FOR APPROVAL

- () Preliminary Specification
- (◆) Final Specification

Title	15.0" SXGA+ TFT LCD
-------	---------------------





BUYER	LG Electronics (COMPAQ)
MODEL	

SUPPLIER	LG.Philips LCD Co., Ltd.
*MODEL	LP150E02
Suffix	A2P1

*When you obtain standard approval, please use the above model name without suffix

SIGNATURE	DATE
/	_____
/	_____
/	_____

Please return 1 copy for your confirmation with your signature and comments.

SIGNATURE	DATE
APPROVED BY S.C.Yun / Chief Engineer 	4/15
REVIEWED BY S.W.Moon / Engineer 	4/15
PREPARED BY Y.S.Kim / Engineer 	4/15
Y.S.Ha / Engineer 	4/15

**Products Engineering Dept.
LG. Philips LCD Co., Ltd**

Product Specification

Contents

No	ITEM	Page
	COVER	1
	CONTENTS	2
	RECORD OF REVISIONS	3
1	GENERAL DESCRIPTION	4
2	ABSOLUTE MAXIMUM RATINGS	5
3	ELECTRICAL SPECIFICATIONS	6
3-1	ELECTRICAL CHARACTERISTICS	6
3-2	INTERFACE CONNECTIONS	8
3-3	SIGNAL TIMING SPECIFICATIONS	9
3-4	SIGNAL TIMING WAVEFORMS	9
3-5	COLOR INPUT DATA REFERENCE	10
3-6	POWER SEQUENCE	11
4	OPTICAL SPECIFICATIONS	12
5	MECHANICAL CHARACTERISTICS	16
6	RELIABILITY	20
7	INTERNATIONAL STANDARDS	21
7-1	SAFETY	21
7-2	EMC	21
8	PACKING	22
8-1	DESIGNATION OF LOT MARK	22
8-2	PACKING FORM	22
9	PRECAUTIONS	23
9-1	MOUNTING PRECAUTIONS	23
9-2	OPERATING PRECAUTIONS	23
9-3	ELECTROSTATIC DISCHARGE CONTROL	24
9-4	PRECAUTIONS FOR STRONG LIGHT EXPOSURE	24
9-5	STORAGE	24
9-6	HANDLING PRECAUTIONS FOR PROTECTION FILM	24
A	APPENDIX. Enhanced Extended Display Identification Data	25

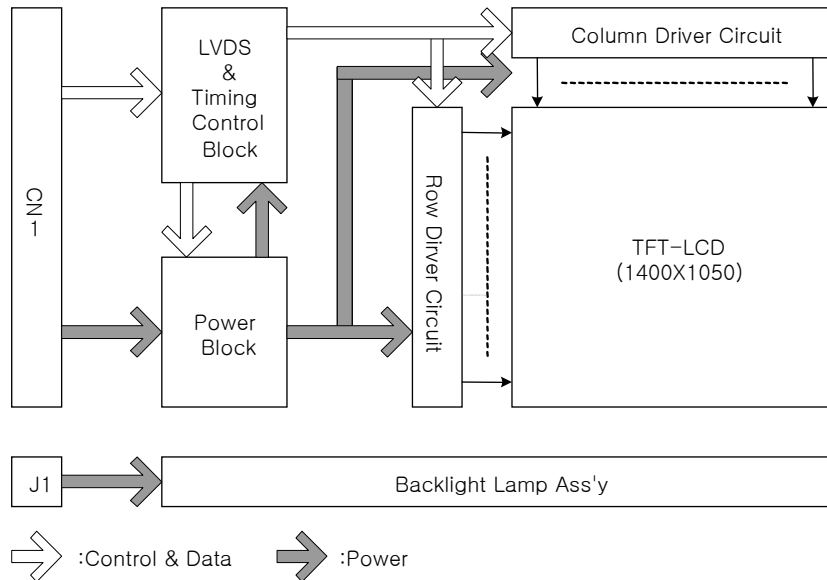
Product Specification

1. General Description

The LP150E02 is a Color Active Matrix Liquid Crystal Display with an integral Cold Cathode Fluorescent Lamp(CCFL) backlight system. The matrix employs a-Si Thin Film Transistor as the active element. It is a transmissive type display operating in the normally white mode. This TFT-LCD has 15.0 inches diagonally measured active display area with SXGA+ resolution(1050 vertical by 1400 horizontal pixel array) Each pixel is divided into Red, Green and Blue sub-pixels or dots which are arranged in vertical stripes. Gray scale or the brightness of the sub-pixel color is determined with a 6-bit gray scale signal for each dot, thus, presenting a palette of more than 262,144 colors.

The LP150E02 has been designed to apply the interface method that enables low power, high speed, low EMI.

The LP150E02 is intended to support applications where thin thickness, low power are critical factors and graphic display are important. In combination with the vertical arrangement of the sub-pixels, the LP150E02 characteristics provide an excellent flat display for office automation products such as Notebook PC.



General Features

Active Screen Size	15.0 inches(38.1cm) diagonal
Outline Dimension	317.3(H) x 241.5(V) x 6.0(D) mm(Max.)
Pixel Pitch	0.2175 mm x 0.2175 mm
Pixel Format	1400 horiz. By 1050 vert. Pixels RGB strip arrangement
Color Depth	6-bit, 262,144 colors
Luminance, White	150 cd/m ² (Typ.)
Power Consumption	Total 4.63 Watt(Typ.)
Weight	540 g (typ.)
Display Operating Mode	Transmissive mode, normally white
Surface Treatment	Hard coating(3H) Anti-glare treatment of the front polarizer

Product Specification

3. Electrical Specifications

3-1. Electrical Characteristics

The LP150E02 requires two power inputs. One is employed to power the LCD electronics and to drive the TFT array and liquid crystal. The second input which powers the CCFL, is typically generated by an inverter. The inverter is an external unit to the LCD.

Table 2. ELECTRICAL CHARACTERISTICS

Parameter	Symbol	Values			Unit	Notes
		Min	Typ	Max		
MODULE :						
Power Supply Input Voltage	VCC	3.0	3.3	3.6	Vdc	
Power Supply Input Current	I _{CC}	290	340	390	mA	1
Power Consumption	P _c	0.96	1.13	1.29	Watt	1
Differential Impedance	Z _m	90	100	110	ohm	2
LAMP :						
Operating Voltage	V _{BL}	655	685	805	V _{RMS}	3
Operating Current	I _{BL}	3.0	5.0	6.0	mA _{RMS}	
Established Starting Voltage	V _s					4
at 25 °C		-	-	1140	V _{RMS}	
at 0 °C		-	-	1370	V _{RMS}	
Operating Frequency	f _{BL}	45	58	80	kHz	5
Discharge Stabilization Time	T _s	-	-	3	Min	6
Power Consumption	P _{BL}	-	3.5	3.85	Watt	7
Life Time		10,000	-	-	Hrs	8

Note : The design of the inverter must have specifications for the lamp in LCD Assembly.

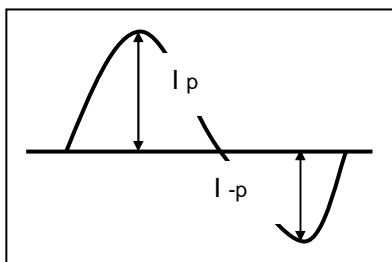
The performance of the Lamp in LCM, for example life time or brightness, is extremely influenced by the characteristics of the DC-AC inverter. So all the parameters of an inverter should be carefully designed so as not to produce too much leakage current from high-voltage output of the inverter. When you design or order the inverter, please make sure unwanted lighting caused by the mismatch of the lamp and the inverter(no lighting, flicker, etc) never occurs. When you confirm it, the LCD – Assembly should be operated in the same condition as installed in you instrument.

1. The specified current and power consumption are under the VCC=3.3V, 25°C, f_v=60Hz condition whereas Mosaic pattern is displayed and f_v is the frame frequency.
2. This impedance value is needed to proper display and measured from LVDS T_x to the mating connector.
3. The variance of the voltage is ± 10%.
4. The voltage above V_s should be applied to the lamps for more than 1 second for start-up. Otherwise, the lamps may not be turned on. The used lamp current is the lamp typical current.

Product Specification

5. The output of the inverter must have symmetrical(negative and positive) voltage waveform and symmetrical current waveform.(Unsymmetrical ratio is less than 10%) Please do not use the inverter which has unsymmetrical voltage and unsymmetrical current and spike wave.
Lamp frequency may produce interface with horizontal synchronous frequency and as a result this may cause beat on the display. Therefore lamp frequency shall be as away possible from the horizontal synchronous frequency and from its harmonics in order to prevent interference.
6. Let's define the brightness of the lamp after being lighted for 5 minutes as 100%.
 T_s is the time required for the brightness of the center of the lamp to be not less than 95%.
7. The lamp power consumption shown above does not include loss of external inverter.
The used lamp current is the lamp typical current.
8. The life is determined as the time at which brightness of the lamp is 50% compared to that of initial value at the maximum lamp current($6.0mA_{RMS}$) on condition of continuous operating at $25 \pm 2^\circ C$
9. Requirements for a system inverter design, which is intended to have a better display performance, a better power efficiency and a more reliable lamp, are following.
It shall help increase the lamp lifetime and reduce leakage current.
 - a. The asymmetry rate of the inverter waveform should be less than 10%.
 - b. The distortion rate of the waveform should be within $\sqrt{2} \pm 10\%$.

* Inverter output waveform had better be more similar to ideal sine wave.



* Asymmetry rate:

$$\frac{|I_p - I_{-p}|}{I_{rms}} * 100\%$$

* Distortion rate

$$I_p \text{ (or } I_{-p}) / I_{rms}$$

- ※ Do not attach a conducting tape to lamp connecting wire.
If the lamp wire attach to a conducting tape, TFT-LCD Module has a low luminance and the inverter has abnormal action. Because leakage current is occurred between lamp wire and conducting tape.

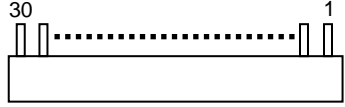
Product Specification

3-2. Interface Connections

The interface connections are compatible with **ISP (Industry Standard Panels) 15.0" Mounting and Top Level Interface Requirements (Version2, June,2000)** defined by **SPWG (Standard Panels Working Group)**. This LCD employs two interface connections, a 30 pin connector is used for the module electronics and the other connector is used for the integral backlight system.

The electronics interface connector is a model GT101-30S-HR11 manufactured by LG Cable. The pin configuration for the connector is shown in the table below.

Table 3. MODULE CONNECTOR PIN CONFIGURATION (CN1)

Pin	Symbol	Description	Notes
1	VSS	Ground	[LVDS Transmitter] Thine, THC63LVDF823A or equivalent
2	VCC	Power Supply, 3.3V Typ.	
3	VCC	Power Supply, 3.3V Typ.	
4	VEDID	DDC 3.3V power	[LVDS Receiver] Thine, THC63LVDF824A
5	NC	No Connection	
6	CLKEDID	DDC Clock	
7	DATAEDID	DDC Data	[Connector] LCD : GT101-30S-HR11, LG Cable * JAE FI-XB30Sx-HFxx or JAE FI-XB30S-HF or equivalent. Matching : JAE FI-X30M or equivalent
8	Odd_R _{IN} 0-	-LVDS differential data (odd pixels R0-R5, G0)	
9	Odd_R _{IN} 0+	+LVDS differential data (odd pixels R0-R5, G0)	
10	VSS	Ground	
11	Odd_R _{IN} 1-	-LVDS differential data (odd pixels G1-G5, B0-B1)	
12	Odd_R _{IN} 1+	+LVDS differential data (odd pixels G1-G5, B0-B1)	
13	VSS	Ground	
14	Odd_R _{IN} 2-	-LVDS differential data (odd pixels B2-B5, HS, VS, DE)	
15	Odd_R _{IN} 2+	+LVDS differential data (odd pixels B2-B5, HS, VS, DE)	
16	VSS	Ground	
17	Odd_Clk _{IN} -	-LVDS differential clock (odd pixels)	[Connector pin arrangement]
18	Odd_Clk _{IN} +	+LVDS differential clock(odd pixels)	
19	VSS	Ground	 LCD rear view
20	Even_R _{IN} 0-	-LVDS differential data (even pixels R0-R5, G0)	
21	Even_R _{IN} 0+	+LVDS differential data (even pixels R0-R5, G0)	
22	VSS	Ground	
23	Even_R _{IN} 1-	-LVDS differential data (even pixels G1-G5, B0-B1)	
24	Even_R _{IN} 1+	+LVDS differential data (even pixels G1-G5, B0-B1)	
25	VSS	Ground	
26	Even_R _{IN} 2-	-LVDS differential data (even pixels B2-B5, HS, VS, DE)	
27	Even_R _{IN} 2+	+LVDS differential data (even pixels B2-B5, HS, VS, DE)	
28	VSS	Ground	
29	Even_Clk _{IN} -	-LVDS differential clock (even pixels)	
30	Even_Clk _{IN} +	+LVDS differential clock (even pixels)	

Note: All GND(ground) pins should be connected together and to GND which should also be connected to the LCD's metal frame. All VCC (power input) pins should be connected together.

The backlight interface connector is a model BHSR-02VS-1, manufactured by JST. The mating connector part number is SM02B-BHSS-1 or equivalent.

Table 4. BACKLIGHT CONNECTOR PIN CONFIGURATION (J1)

Pin	Symbol	Description	Notes
1	HV	Power supply for lamp (High voltage side)	1
2	LV	Power supply for lamp (Low voltage side)	1

Notes : 1. The high voltage side terminal is colored pink and the low voltage side terminal is yellow

Product Specification

3-3. Signal Timing Specifications

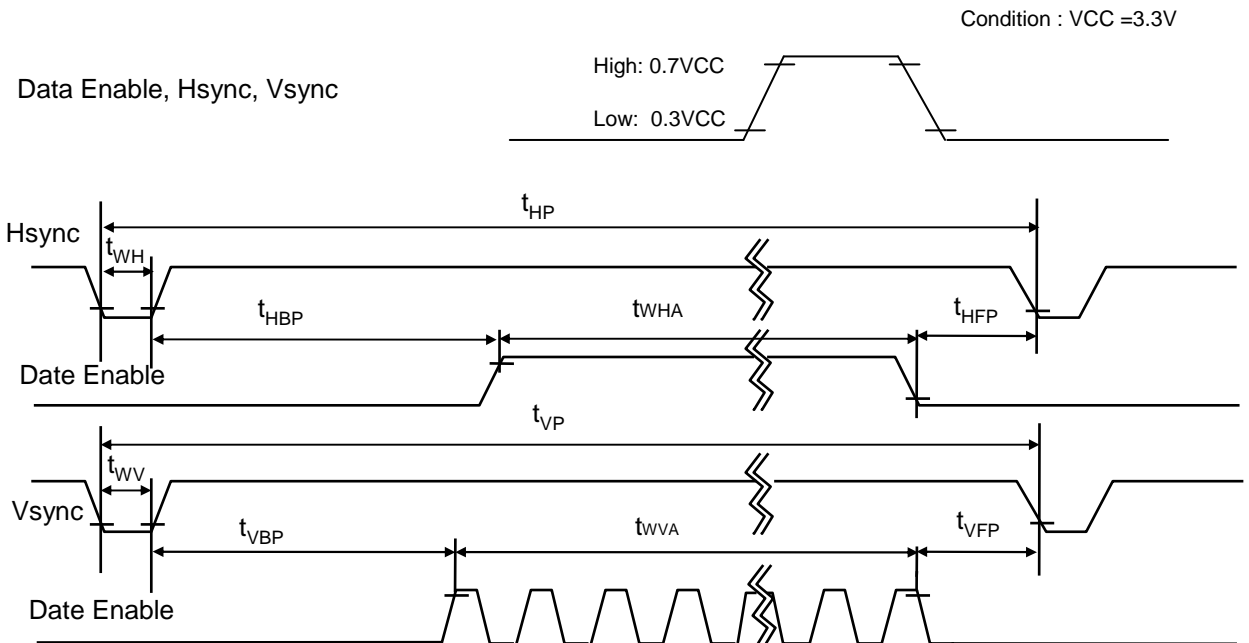
This is the signal timing required at the input of the User connector. All of the interface signal timing should be satisfied with the following specifications and specifications of LVDS Tx/Rx for it's proper operation.

Table 5. TIMING TABLE

ITEM	Symbol	Min	Typ	Max	Unit	Note
DCLK	Frequency	fCLK	52.5	54	54.5	MHz
Hsync	Period	tHP	732	800	848	tCLK
	Width	tWH	8	-	-	
Vsync	Period	tVP	1060	1100	1150	tHP
	Width	tWV	2	-	-	
Data Enable	Horizontal back porch	tHBP	8	-	-	tCLK
	Horizontal front porch	tHFP	8	-	-	
	Vertical back porch	tVBP	3	-	-	tHP
	Vertical front porch	tVFP	2	-	-	

DCLK : Dual Port Operating

3-4. Signal Timing Waveforms



Product Specification

3-5. Color Input Data Reference

The brightness of each primary color (red, green and blue) is based on the 6-bit gray scale data input for the color ; the higher the binary input, the brighter the color. The table below provides a reference for color versus data input.

Table 6. COLOR DATA REFERENCE

Color		Input Color Data																	
		RED						GREEN						BLUE					
		MSB				LSB		MSB				LSB		MSB		LSB			
		R 5	R 4	R 3	R 2	R 1	R 0	G 5	G 4	G 3	G 2	G 1	G 0	B 5	B 4	B 3	B 2	B 1	B 0
Basic Color	Black	0	0	0	0	0	0	0	0	0	0	0	0	0	0	0	0	0	0
	Red	1	1	1	1	1	1	0	0	0	0	0	0	0	0	0	0	0	0
	Green	0	0	0	0	0	0	1	1	1	1	1	1	0	0	0	0	0	0
	Blue	0	0	0	0	0	0	0	0	0	0	0	0	1	1	1	1	1	1
	Cyan	0	0	0	0	0	0	1	1	1	1	1	1	1	1	1	1	1	1
	Magenta	1	1	1	1	1	1	0	0	0	0	0	0	1	1	1	1	1	1
	Yellow	1	1	1	1	1	1	1	1	1	1	1	1	0	0	0	0	0	0
	White	1	1	1	1	1	1	1	1	1	1	1	1	1	1	1	1	1	1
RED	RED (00)	0	0	0	0	0	0	0	0	0	0	0	0	0	0	0	0	0	0
	RED (01)	0	0	0	0	0	1	0	0	0	0	0	0	0	0	0	0	0	0
					
	RED (62)	1	1	1	1	1	0	0	0	0	0	0	0	0	0	0	0	0	0
	RED (63)	1	1	1	1	1	1	0	0	0	0	0	0	0	0	0	0	0	0
GREEN	GREEN (00)	0	0	0	0	0	0	0	0	0	0	0	0	0	0	0	0	0	0
	GREEN (01)	0	0	0	0	0	0	0	0	0	0	0	1	0	0	0	0	0	0
					
	GREEN (62)	0	0	0	0	0	0	1	1	1	1	1	0	0	0	0	0	0	0
	GREEN (63)	0	0	0	0	0	0	1	1	1	1	1	1	0	0	0	0	0	0
BLUE	BLUE (00)	0	0	0	0	0	0	0	0	0	0	0	0	0	0	0	0	0	0
	BLUE (01)	0	0	0	0	0	0	0	0	0	0	0	0	0	0	0	0	0	1
					
	BLUE (62)	0	0	0	0	0	0	0	0	0	0	0	0	1	1	1	1	1	0
	BLUE (63)	0	0	0	0	0	0	0	0	0	0	0	0	1	1	1	1	1	1

Product Specification

3-6. Power Sequence

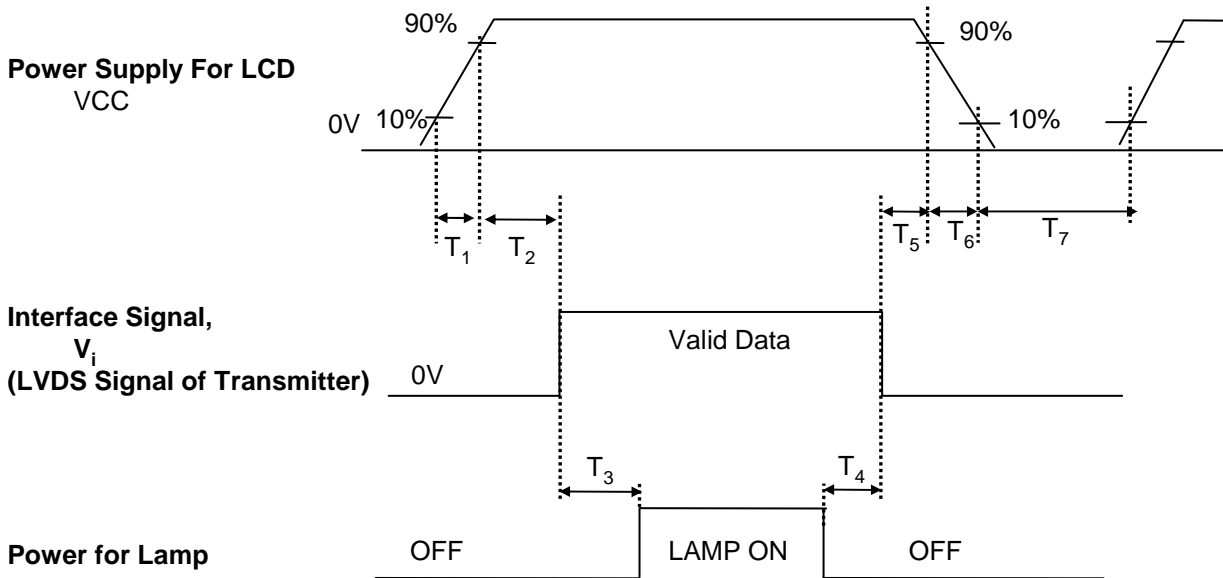


Table 7. POWER SEQUENCE TABLE

Parameter	Value			Units
	Min.	Typ.	Max.	
T ₁	-	-	10	(ms)
T ₂	0	-	50	(ms)
T ₃	200	-	-	(ms)
T ₄	200	-	-	(ms)
T ₅	0	-	50	(ms)
T ₆	0	-	10	(ms)
T ₇	400	-	-	(ms)

- Notes :
1. Please avoid floating state of interface signal at invalid period.
 2. When the interface signal is invalid, be sure to pull down the power supply for LCD VCC to 0V.
 3. Lamp power must be turn on after power supply for LCD and interface signal are valid.

Product Specification

4. Optical Specification

Optical characteristics are determined after the unit has been 'ON' and stable for approximately 30 minutes in a dark environment at 25°C. The values specified are at an approximate distance 50cm from the LCD surface at a viewing angle of Φ and Θ equal to 0°.

FIG. 1 presents additional information concerning the measurement equipment and method.

FIG. 1 Optical Characteristic Measurement Equipment and Method

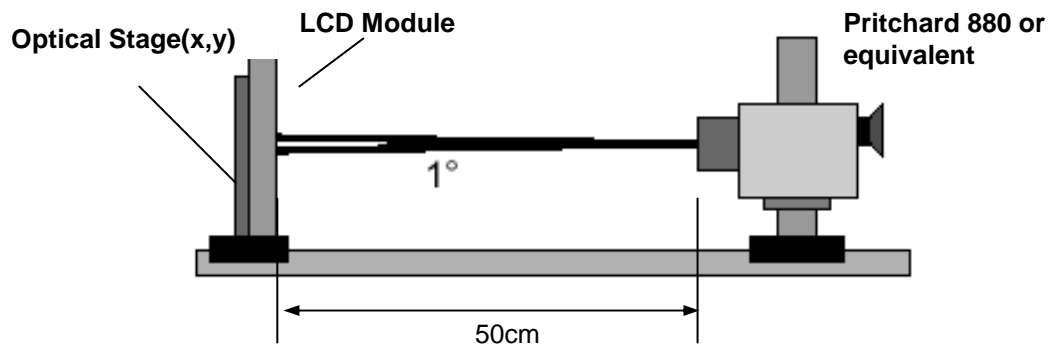


Table 8. OPTICAL CHARACTERISTICS

Ta=25°C, VCC=3.3V, fv=60Hz
Dclk= 54MHz, IBL= 6.0mA

Parameter	Symbol	Values			Units	Notes
		Min	Typ	MAx		
Contrast Ratio	CR	175	250	-		1
Surface Luminance, white (5P, Ave)	L _{WH}	130	150	-	cd/m ²	2
Luminance Variation	δ_{WHITE}	-	-	1.65		3
Response Time						4
Rise Time	Tr _R	-	10	20	ms	
Decay Time	Tr _D	-	20	30	ms	
Color Coordinates						PR650 or equivalent
RED	RX	0.543	0.573	0.603		
GREEN	GX	0.285	0.315	0.345		
BLUE	BX	0.127	0.157	0.187		
WHITE	WX	0.298	0.328	0.358		
Viewing Angle						5
x axis, right($\Phi=0^\circ$)	Θ_r	-	45	-	degree	
x axis, left ($\Phi=180^\circ$)	Θ_l	-	45	-	degree	
y axis, up ($\Phi=90^\circ$)	Θ_u	-	15	-	degree	
y axis, down ($\Phi=270^\circ$)	Θ_d	-	35	-	degree	
Gray Scale						6

Product Specification

Notes 1. Contrast Ratio(CR) is defined mathematically as :

$$\text{Contrast Ratio} = \frac{\text{Surface Luminance with all white pixels}}{\text{Surface Luminance with all black pixels}}$$

2. Surface luminance is the average of 5 points across the LCD surface 50cm from the surface with all pixels displaying white. For more information see FIG 1., When $I_{BL}=6.0\text{mA}$.

3.The variation in surface luminance , The Panel total variation (δ_{WHITE}) is determined by measuring L_{ON} at each test position 1 through 13, and then dividing the maximum L_{ON} of 13 points luminance by minimum L_{ON} of 13 points luminance. For more information see FIG 2.

$$\delta_{\text{WHITE}} = \text{Maximum}(L_1, L_2, \dots L_{13}) / \text{Minimum}(L_1, L_2, \dots L_{13})$$

4. Response time is the time required for the display to transition from white to black(RiseTime, Tr_R) and from black to white(Decay Time, Tr_D). For additional information see FIG 3.

5. Viewing angle is the angle at which the contrast ratio is greater than 10. The angles are determined for the horizontal or x axis and the vertical or y axis with respect to the z axis which is normal to the LCD surface. For more information see FIG 4.

6. Gray scale specification

* $f_V=60\text{Hz}$

Gray Level	Luminance [%] (Typ)
L0	0.4
L7	1.0
L15	3.5
L23	9.3
L31	20.0
L39	34.0
L47	52.5
L55	80.5
L63	100.0

Product Specification

FIG. 2 Luminance

<measuring point for surface luminance & measuring point for luminance variation>

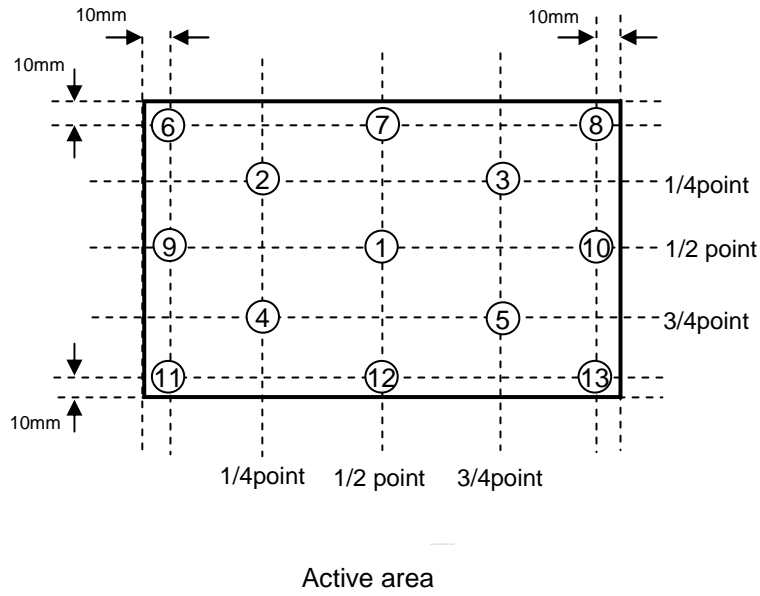
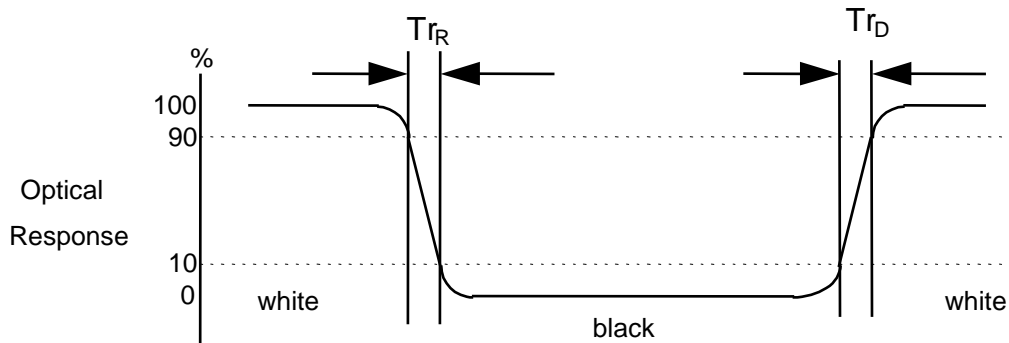


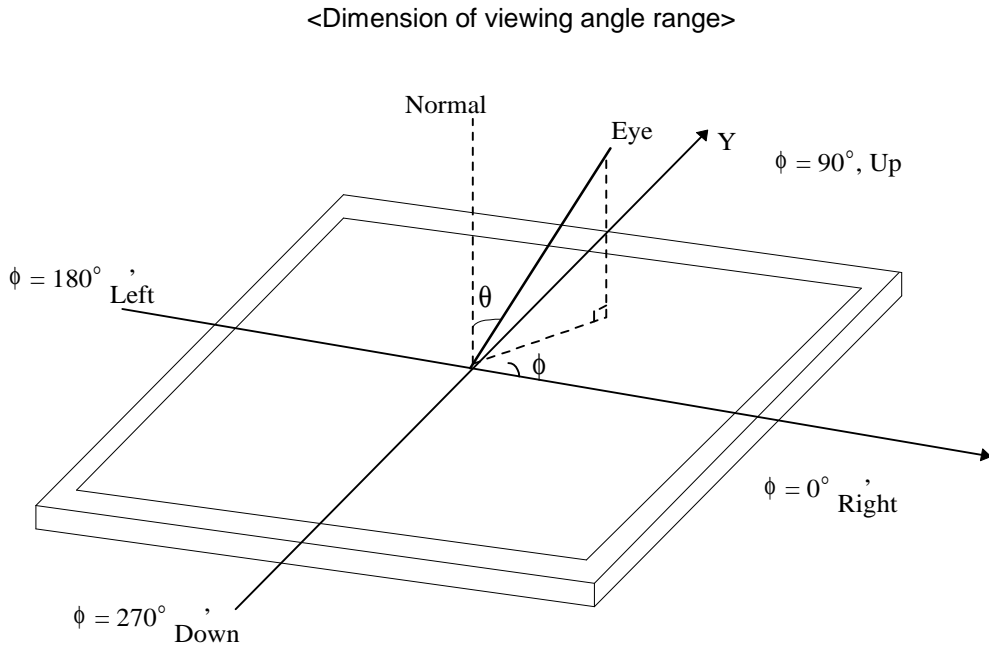
FIG. 3 Response Time

The response time is defined as the following figure and shall be measured by switching the input signal for "black" and "white".



Product Specification

FIG. 4 Viewing angle



Product Specification

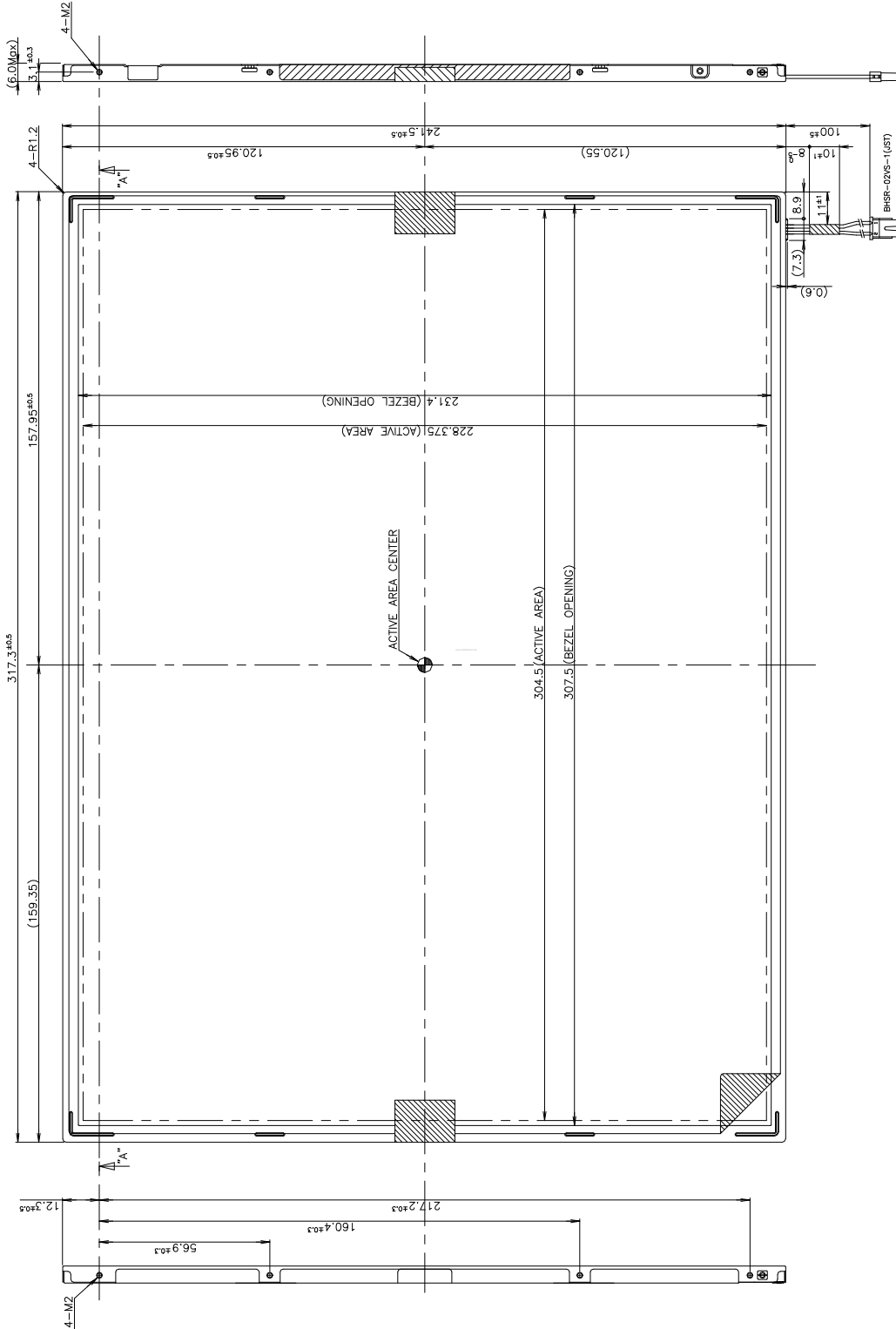
5. Mechanical Characteristics

The contents provide general mechanical characteristics for the model LP150E02. In addition the figures in the next page are detailed mechanical drawing of the LCD.

Outline Dimension	Horizontal	317.3 ± 0.5mm
	Vertical	241.5 ± 0.5mm
	Depth	5.7 ± 0.3mm
Bezel Area	Horizontal	307.5 ± 0.5mm
	Vertical	231.4 ± 0.5mm
Active Display Area	Horizontal	304.5 mm
	Vertical	228.375 mm
Weight	540g (Typ.) 555g (Max.)	
Surface Treatment	Hard coating(3H) Anti-glare treatment of the front polarizer	

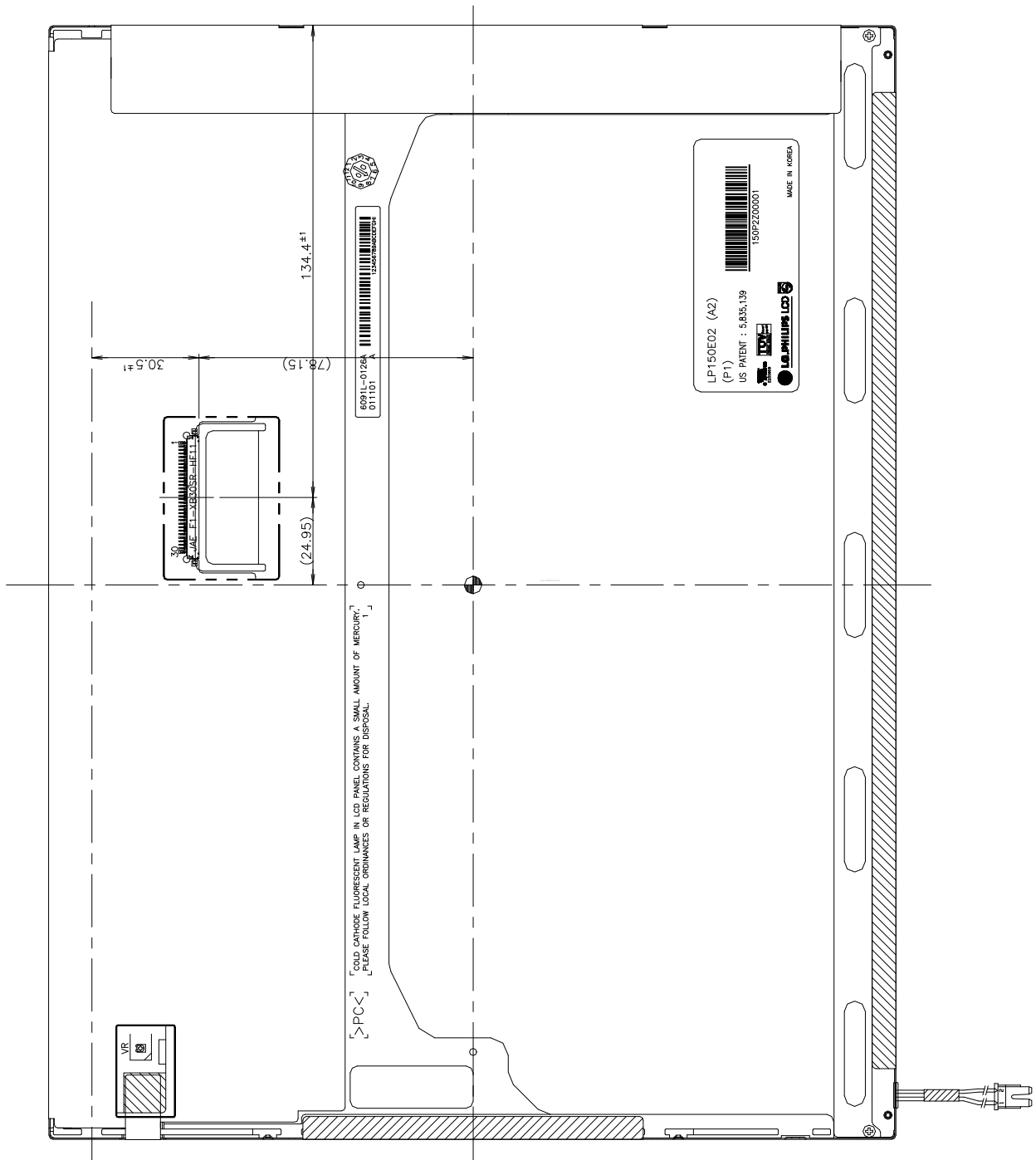
Product Specification

<FRONT VIEW>



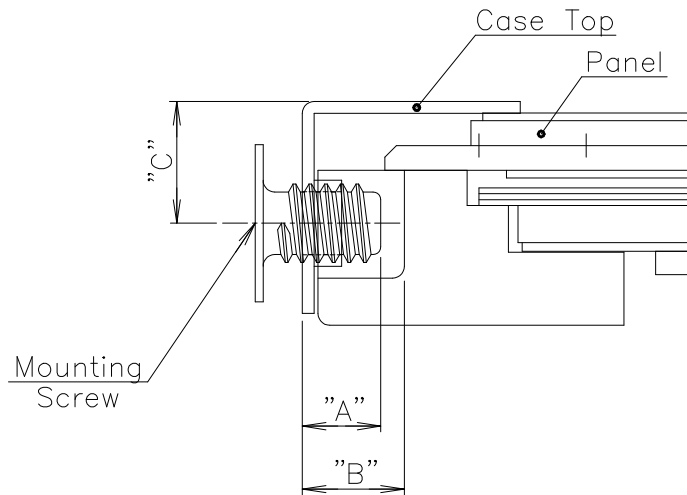
Product Specification

<REAR VIEW>



Product Specification

[DETAIL DESCRIPTION OF SIDE MOUNTING SCREW]



- * Mounting Screw depth
 depth Min. : "A" =2.0
 depth Max : "B" =2.5
- * Mounting screw Dim. : "C" = 3.1(typ.)
- *Torque : 2 kgf.cm(Max)
 (Measurement gauge : torque meter)

Notes : 1. Screw plated through the method of non-electrolytic nickel plating is preferred to reduce possibility that results in vertical and/or horizontal line defect due to the conductive particles from screw surface.

Product Specification

6. Reliability

Environment test condition

No.	Test Item	Conditions
1	High temperature storage test	Ta= 60°C, 240h
2	Low temperature storage test	Ta= -20°C, 240h
3	High temperature operation test	Ta= 50°C, 50%RH, 240h
4	Low temperature operation test	Ta= 0°C, 240h
5	Vibration test (non-operating)	Sine wave, 10 ~ 500 ~ 10Hz, 1.5G, 0.37oct/min 3 axis, 1hour/axis
6	Shock test (non-operating)	Half sine wave, 180G, 2ms one shock of each six faces(I.e. run 180G 2ms for all six faces)
7	Altitude operating storage / shipment	0 ~ 10,000 feet (3,048m) 24Hr 0 ~ 40,000 feet (12,192m) 24Hr

{ Result Evaluation Criteria }

There should be no change which might affect the practical display function when the display quality test is conducted under normal operating condition.

- ON/OFF Cycle

: The display module will be capable of being operated over 24,000 ON/OFF cycles (Lamp power & Vcc ON/OFF)

- Mean time Between Failure

: The LCD Panel and interface board assembly (excluding the CCFL) have a mean time between failures of 30,000 hours with a confidence level 90%.

7. International Standards

7-1. Safety

- a) UL 1950 Third Edition, Underwriters Laboratories, Inc. Jan. 28, 1995.
Standard for Safety of Information Technology Equipment Including Electrical Business Equipment.
- b) CAN/CSA C22.2 No. 950-95 Third Edition, Canadian Standards Association, Jan. 28, 1995.
Standard for Safety of Information Technology Equipment Including Electrical Business Equipment.
- c) EN 60950 : 1992+A1: 1993+A2: 1993+A3: 1995+A4: 1997+A11: 1997
IEC 950 : 1991+A1: 1992+A2: 1993+A3: 1995+A4: 1996
European Committee for Electrotechnical Standardization(CENELEC)
EUROPEAN STANDARD for Safety of Information Technology Equipment Including Electrical Business
Equipment.

7-2. EMC

- a) ANSI C63.4 "Methods of Measurement of Radio-Noise Emissions from Low-Voltage Electrical and Electrical Equipment in the Range of 9kHz to 40GHz. "American National Standards Institute(ANSI), 1992
- b) C.I.S.P.R "Limits and Methods of Measurement of Radio Interface Characteristics of Information Technology Equipment." International Special Committee on Radio Interference.
- c) EN 55022 "Limits and Methods of Measurement of Radio Interface Characteristics of Information Technology Equipment." European Committee for Electrotechnical Standardization.(CENELEC), 1998

Product Specification

8. Packing

8-1. Designation of Lot Mark

a) Lot Mark

A	B	C	D	E	F	G	H	I	J	K	L	M
---	---	---	---	---	---	---	---	---	---	---	---	---

A,B,C : SIZE

D : YEAR

E : MONTH

F,G : PANEL CODE

H : ASSEMBLY CODE

I,J,K,L,M : SERIAL NO.

Note

1. YEAR

Year	97	98	99	2000	2001	2002	2003	2004	2005	2006	2007
Mark	7	8	9	0	1	2	3	4	5	6	7

2. MONTH

Month	Jan	Feb	Mar	Apr	May	Jun	Jul	Aug	Sep	Oct	Nov	Dec
Mark	1	2	4	4	5	6	7	8	9	A	B	C

3. Serial No

Serial No.	1 ~ 99,999	100,000 ~
Mark	00001 ~ 99999	A0001 ~ A9999, - - - - , Z9999

b) Location of Lot Mark

Serial NO. is printed on the label. The label is attached to the backside of the LCD module.
This is subject to change without prior notice.

8-2. Packing Form

a) Package quantity in one box : 10 pcs

b) Box Size : 374mm × 329mm × 311mm

9. PRECAUTIONS

Please pay attention to the followings when you use this TFT LCD module.

9-1. MOUNTING PRECAUTIONS

- (1) You must mount a module using holes arranged in four corners or four sides.
- (2) You should consider the mounting structure so that uneven force (ex. Twisted stress) is not applied to the module. And the case on which a module is mounted should have sufficient strength so that external force is not transmitted directly to the module.
- (3) Please attach the surface transparent protective plate to the surface in order to protect the polarizer. Transparent protective plate should have sufficient strength in order to resist external force.
- (4) You should adopt radiation structure to satisfy the temperature specification.
- (5) Acetic acid type and chlorine type materials for the cover case are not desirable because the former generates corrosive gas of attacking the polarizer at high temperature and the latter causes circuit break by electro-chemical reaction.
- (6) Do not touch, push or rub the exposed polarizers with glass, tweezers or anything harder than HB pencil lead. And please do not rub with dust clothes with chemical treatment. Do not touch the surface of polarizer for bare hand or greasy cloth. (Some cosmetics are detrimental to the polarizer.)
- (7) When the surface becomes dusty, please wipe gently with absorbent cotton or other soft materials like chamois soaks with petroleum benzene. Normal-hexane is recommended for cleaning the adhesives used to attach front / rear polarizers. Do not use acetone, toluene and alcohol because they cause chemical damage to the polarizer.
- (8) Wipe off saliva or water drops as soon as possible. Their long time contact with polarizer causes deformations and color fading.
- (9) Do not open the case because inside circuits do not have sufficient strength.

9-2. OPERATING PRECAUTIONS

- (1) The spike noise causes the mis-operation of circuits. It should be lower than following voltage :
 $V = \pm 200\text{mV}$ (Over and under shoot voltage)
- (2) Response time depends on the temperature. (In lower temperature, it becomes longer.)
- (3) Brightness depends on the temperature. (In lower temperature, it becomes lower.)
And in lower temperature, response time (required time that brightness is stable after turned on) becomes longer.
- (4) Be careful for condensation at sudden temperature change. Condensation makes damage to polarizer or electrical contacted parts. And after fading condensation, smear or spot will occur.
- (5) When fixed patterns are displayed for a long time, remnant image is likely to occur.
- (6) Module has high frequency circuits. Sufficient suppression to the electromagnetic interference shall be done by system manufacturers. Grounding and shielding methods may be important to minimize the interference.

9-3. ELECTROSTATIC DISCHARGE CONTROL

Since a module is composed of electronic circuits, it is not strong to electrostatic discharge. Make certain that treatment persons are connected to ground through wrist band etc. And don't touch interface pin directly.

9-4. PRECAUTIONS FOR STRONG LIGHT EXPOSURE

Strong light exposure causes degradation of polarizer and color filter.

9-5. STORAGE

When storing modules as spares for a long time, the following precautions are necessary.

- (1) Store them in a dark place. Do not expose the module to sunlight or fluorescent light. Keep the temperature between 5°C and 35°C at normal humidity.
- (2) The polarizer surface should not come in contact with any other object.
It is recommended that they be stored in the container in which they were shipped.

9-6. HANDLING PRECAUTIONS FOR PROTECTION FILM

- (1) The protection film is attached to the bezel with a small masking tape.
When the protection film is peeled off, static electricity is generated between the film and polarizer. This should be peeled off slowly and carefully by people who are electrically grounded and with well ion-blown equipment or in such a condition, etc.
- (2) When the module with protection film attached is stored for a long time, sometimes there remains a very small amount of glue still on the bezel after the protection film is peeled off.
- (3) You can remove the glue easily. When the glue remains on the bezel surface or its vestige is recognized, please wipe them off with absorbent cotton waste or other soft material like chamois soaked with normal-hexane.

Product Specification

APPENDIX [A] - Enhanced Extended Display Identification Data (EEDID™)

Byte# (decimal)	Byte# (HEX)	Field Name and Comments	Value (HEX)	Value (binary)		
0	00	Head	0 0	00000000	Head	
1	01		F F	11111111		
2	02		F F	11111111		
3	03		F F	11111111		
4	04		F F	11111111		
5	05		F F	11111111		
6	06		F F	11111111		
7	07		0 0	00000000		
8	08	EISA manufacturer code = LGP	3 0	00110000	Vendor/ Product ID	
9	09		F 0	11110000		
10	0A	Product code = ADW(LP150E02-A2P1)	0 4	00000100		
11	0B	(Hex	9 F	10011111		
12	0C	32-bit serial number =Don't care	0 0	00000000		
13	0D		0 0	00000000		
14	0E		0 0	00000000		
15	0F		0 0	00000000		
16	10	Week of manufacture = Don't care	0 0	00000000	EDID Ver Revision	
17	11	Year of manufacture = 2002	0 C	00001100		
18	12	EDID Structure version # = 1	0 1	00000001		
19	13	EDID Revision # = 3	0 3	00000011		
20	14	Video input definition = Digital I/p,non TMDS CRGB	8 0	10000000	Display Parameter	
21	15	Max H image size(cm)= 30.45cm(30)	1 E	00011110		
22	16	Max V image size(cm)= 22.8375cm(23)	1 7	00010111		
23	17	Display gamma = 2.2	7 8	01111000		
24	18	Feature support(DPMS) = Active off, RGB Color	2 8	00101000	Color Charact	
25	19	Red/Green low Bits	9 F	10011111		
26	1A	Blue/White Low Bits	7 C	01111100		
27	1B	Red X Rx =0.573	9 2	10010010		
28	1C	Red Y Ry =0.337	5 6	01010110		
29	1D	Green X Gx =0.315	5 0	01010000		
30	1E	Green Y Gy =0.539	8 9	10001001		
31	1F	Blue X Bx =0.157	2 8	00101000		
32	20	Blue Y By =0.144	2 4	00100100	Established Timings	
33	21	White X Wx = 0.328	5 3	01010011		
34	22	White Y Wy = 0.344	5 8	01011000		
35	23	Established Timing I	0 0	00000000		
36	24	Established Timing II	0 0	00000000		
37	25	Manufacturer's Timings	0 0	00000000		
38	26	Standard Timing Identification 1 was not used	0 1	00000001		Standard Timing ID
39	27	Standard Timing Identification 1 was not used	0 1	00000001		
40	28	Standard Timing Identification 2 was not used	0 1	00000001		
41	29	Standard Timing Identification 2 was not used	0 1	00000001		
42	2A	Standard Timing Identification 3 was not used	0 1	00000001		
43	2B	Standard Timing Identification 3 was not used	0 1	00000001		
44	2C	Standard Timing Identification 4 was not used	0 1	00000001		
45	2D	Standard Timing Identification 4 was not used	0 1	00000001		
46	2E	Standard Timing Identification 5 was not used	0 1	00000001		
47	2F	Standard Timing Identification 5 was not used	0 1	00000001		
48	30	Standard Timing Identification 6 was not used	0 1	00000001		
49	31	Standard Timing Identification 6 was not used	0 1	00000001		
50	32	Standard Timing Identification 7 was not used	0 1	00000001		
51	33	Standard Timing Identification 7 was not used	0 1	00000001		
52	34	Standard Timing Identification 8 was not used	0 1	00000001		
53	35	Standard Timing Identification 8 was not used	0 1	00000001		
54	36	Detailed Timing Descriptor #1	3 0	00110000	Detailed Timing Description #1	
55	37	1400 x1050@60Hz mode : pixel clock = 108MHz	2 A	00101010		
56	38	Horizontal Active = 1400 pixels	7 8	01111000		
57	39	Horizontal Blanking = 320 pixels	4 0	01000000		
58	3A	Horizontal Active : Horizontal Blanking	5 1	01010001		
59	3B	Vertical Active = 1050 lines	1 A	00011010		
60	3C	Vertical Blanking = 70 lines	4 6	01000110		
61	3D	Vertical Active : Vertical Blanking	4 0	01000000		
62	3E	Horizontal Sync. Offset = 16 pixels	1 0	00010000		
63	3F	Horizontal Sync Pulse Width = 136 pixels	8 8	10001000		

Product Specification

Byte# (decimal)	Byte# (HEX)	Field Name and Comments	Value (HEX)	Value (binary)	
64	40	Vertical Sync Offset = 3 lines, Sync Width = 3 lines	3 3	00110011	Detailed Timing Description #1
65	41	Horizontal Vertical Sync Offset/Width upper 2bits	0 0	00000000	
66	42	Horizontal Image Size = 304.5mm (305)	3 1	00110001	
67	43	Vertical Image Size = 228.375mm (228)	E 4	11100100	
68	44	Horizontal & Vertical Image Size	1 0	00010000	
69	45	Horizontal Border = 0	0 0	00000000	
70	46	Vertical Border = 0	0 0	00000000	
71	47	Non-interlaced, Normal display, no stereo, Digital separate sync, H/V pol negatives	1 8	00011000	Detailed Timing Description #2
72	48	Detailed Timing Descriptor #2	0 0	00000000	
73	49		0 0	00000000	
74	4A		0 0	00000000	
75	4B		0 0	00000000	
76	4C		0 0	00000000	
77	4D		0 0	00000000	
78	4E		0 0	00000000	
79	4F		0 0	00000000	
80	50		0 0	00000000	
81	51		0 0	00000000	
82	52		0 0	00000000	
83	53		0 0	00000000	
84	55		0 0	00000000	
85	55		0 0	00000000	
86	56		0 0	00000000	
87	57		0 0	00000000	
88	58		0 0	00000000	
89	59		0 0	00000000	
90	5A	Detailed Timing Descriptor #3	0 0	00000000	Detailed Timing Description #3
91	5B		0 0	00000000	
92	5C		0 0	00000000	
93	5D		0 0	00000000	
94	5E		0 0	00000000	
95	5F		0 0	00000000	
96	60		0 0	00000000	
97	61		0 0	00000000	
98	62		0 0	00000000	
99	63		0 0	00000000	
100	64		0 0	00000000	
101	65		0 0	00000000	
102	66		0 0	00000000	
103	67		0 0	00000000	
104	68		0 0	00000000	
105	69		0 0	00000000	
106	6A		0 0	00000000	
107	6B		0 0	00000000	
108	6C	Detailed Timing Descriptor #4	0 0	00000000	Detailed Timing Description #4
109	6D		0 0	00000000	
110	6E		0 0	00000000	
111	6F		0 0	00000000	
112	70		0 0	00000000	
113	71		0 0	00000000	
114	72		0 0	00000000	
115	73		0 0	00000000	
116	74		0 0	00000000	
117	75		0 0	00000000	
118	76		0 0	00000000	
119	77		0 0	00000000	
120	78		0 0	00000000	
121	79		0 0	00000000	
122	7A		0 0	00000000	
123	7B		0 0	00000000	
124	7C		0 0	00000000	
125	7D		0 0	00000000	
126	7E	Extension flag = 00	0 0	00000000	Ext
127	7F	Checksum	3 9	00111001	Checksum

ERROR: syntaxerror
OFFENDING COMMAND: --nostringval--

STACK:

/Title
()
/Subject
(D:20100430142423+08'00')
/ModDate
()
/Keywords
(PDFCreator Version 0.9.5)
/Creator
(D:20100430142423+08'00')
/CreationDate
(USER)
/Author
-mark-