



LU4T14R1

XFMRs

HIGH SPEED COMBO MAGNETIC MODULES FOR 10/100BASE-TX APPLICATIONS

Feature



- Meets open circuit inductance (OCL) specifications of 350 uH Min with 8mA DC Bias from 0°C -70°C.
- Combo designs available for all 10/100 Base-TX PHY chips.
- Custom designs available for most applications.
- Operating temperature range: 0°C to +70°C.
- Storage temperature range: -25°C to +125°C.

Electrical Specifications @ 25°C

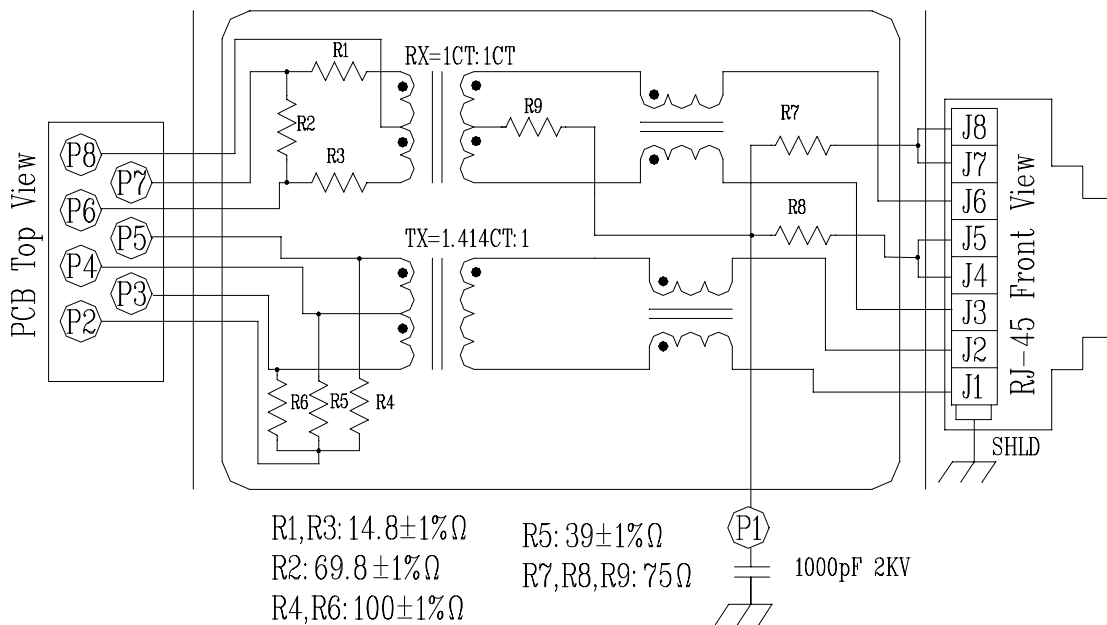
Part Number	Turns Ratio (±5%)		OCL (uH Min) @100 KHz/100mVrms with 8mA DC Bias	Cross talk (dB Min)		
	TX	RX		32 MHz	62 MHz	100 MHz
LU4T14R1	1.414CT:1	1CT:1CT	350	-40	-35	-35

Continue

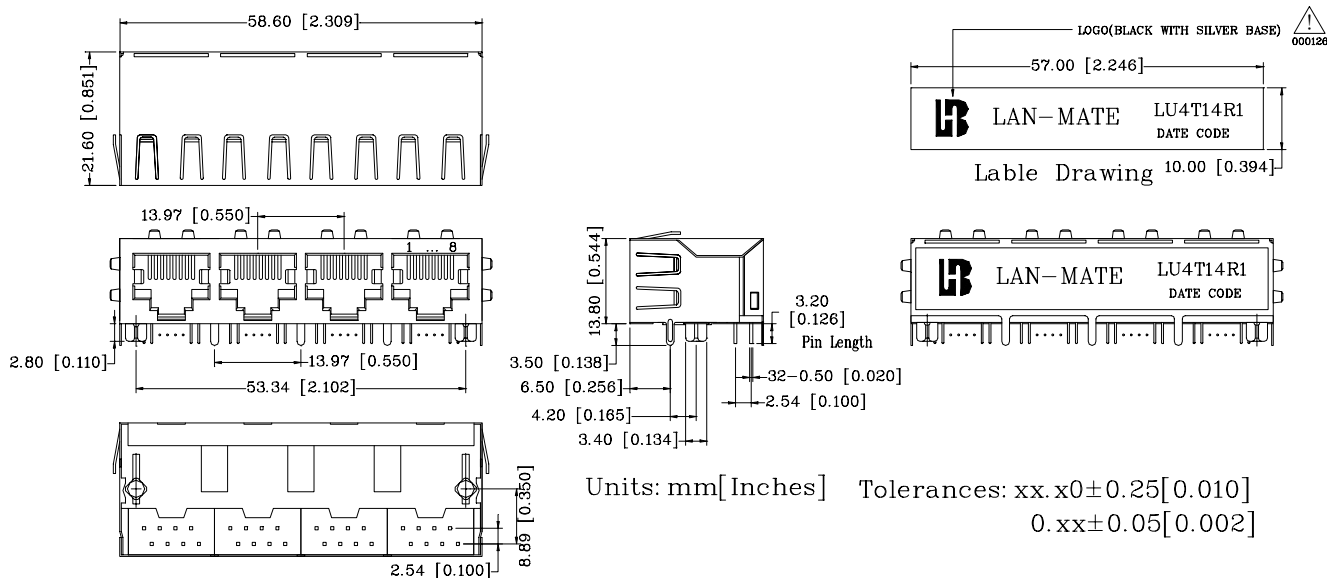
Part Number	Insertion Loss (dB Max)	Return Loss (dB Min)			HI-POT (Vrms)
		0.3-100MHz	30MHz	60MHz	
LU4T14R1	-1.0	-16	-12	-10	1500

Schematic

Block Circuit x 4 Set In LU4T14R1

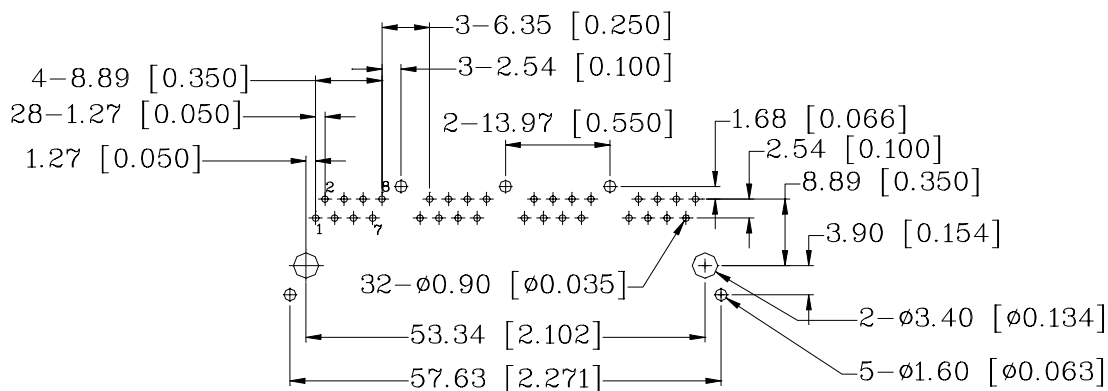


Mechanical



- | | | |
|---------------------|---|---|
| 1. Plastic Material | : | Thermoplastic (UL 94V-0), Black Housing |
| 2. Metal Shield | : | Brass, 20u inches thick Nickel |
| 3. Spring Wire | : | Phosphor bronze with selective gold plating |
| 4. Solder Pin | : | 0.4x0.4mm, Phosphor bronze with solder Plated |
| 5. Durability | : | 300 Mating cycles Min. |

PCB Layout Mounting Hole(Top View)



Units: mm[Inches] Tolerances: xx.x0±0.25[0.010]
0.xx±0.05[0.002]