



MHV Female Bulkhead Connector Solder Attachment Turret Terminal, .537 inch D Hole

TECHNICAL DATA SHEET

PE4312

MHV Female Bulkhead Connector Solder Attachment Turret Terminal, .537 inch D Hole

Configuration

Connector	MHV Female
Connector Interface Type	Turret
Cable Attachment Method (Shield/Contact)	Solder
Body Style	Straight
Mount Method	Bulkhead

Electrical Specifications

Impedance, Ohms	50
-----------------	----

Mechanical Specifications

Size

Length, in [mm]	1.06 [26.92]
Width/Dia., in [mm]	0.625 [16]
Weight, lbs [g]	0.027 [12.25]

Connector

Type	MHV Female
Contact Material and Plating	Silver
Body Material and Plating	Brass, Nickel
Dielectric Type	PTFE

Compliance Certifications (visit www.Pasternack.com for current document)

RoHS Compliant	Yes
----------------	-----

Plotted and Other Data

Notes: Values at 25 °C, sea level

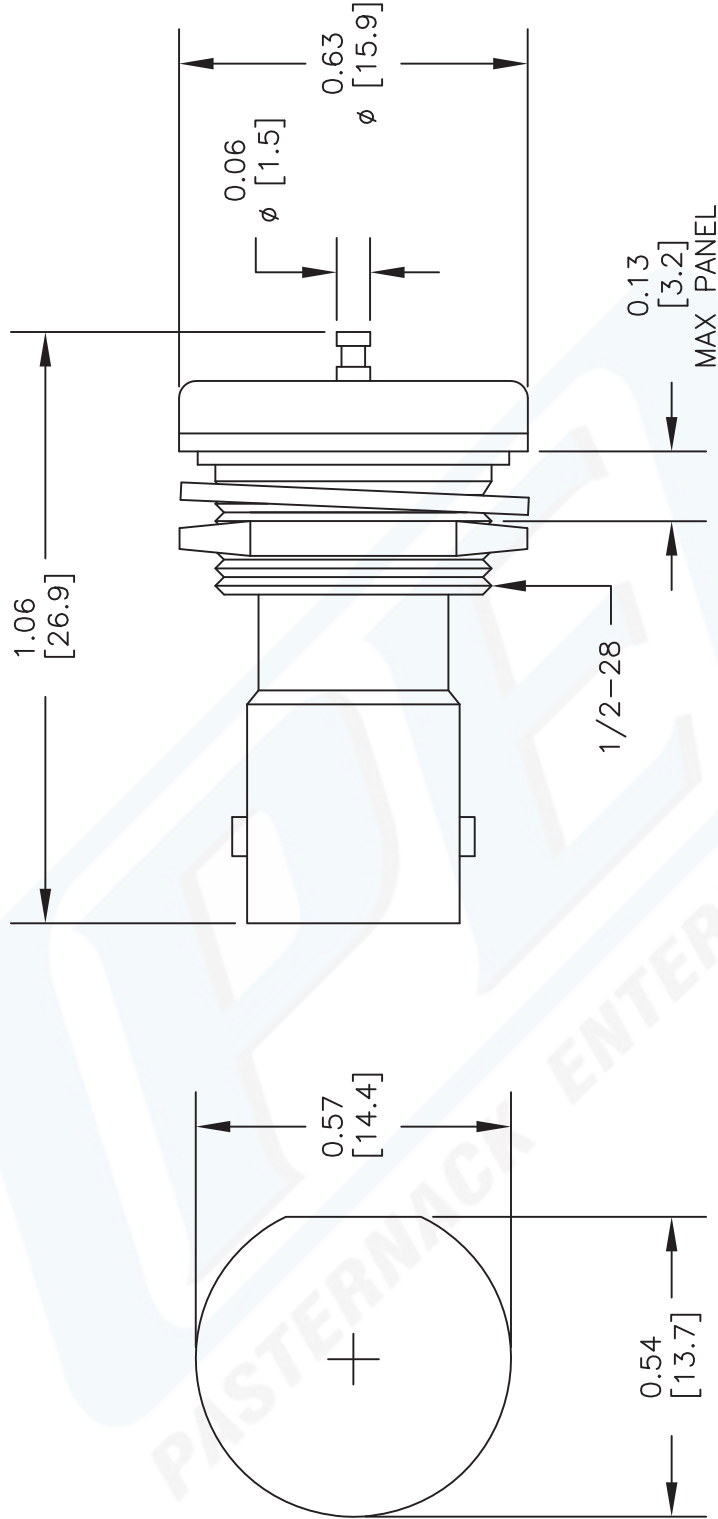
URL: <http://www.pasternack.com/mhv-female-standard-turret-terminal-connector-pe4312-p.aspx>

MHV Female Bulkhead Connector Solder Attachment Turret Terminal, .537 inch D Hole from Pasternack Enterprises has same day shipment for domestic and International orders. We maintain 99% availability of the industry's broadest selection of RF, microwave and fiber optic products.

The information contained in this document is accurate to the best of our knowledge and representative of the part described herein. It may be necessary to make modifications to the part and/or the documentation of the part, in order to implement improvements. Pasternack reserves the right to make such changes as required. Unless otherwise stated, all specifications are nominal.

PE4312 CAD Drawing

MHV Female Bulkhead Connector Solder Attachment Turret Terminal, .537 inch D Hole



DWG TITLE

PE4312

- NOTES:
1. UNLESS OTHERWISE SPECIFIED ALL DIMENSIONS ARE NOMINAL.
 2. ALL SPECIFICATIONS ARE SUBJECT TO CHANGE WITHOUT NOTICE AT ANY TIME.
 3. DIMENSIONS ARE IN INCHES [mm].
 4. FITS MIL-C-17 AND EQUIVALENT CABLES.

REV. -

FSCM NO. 53919

CAD FILE 050702

SCALE N/A

SIZE A

2233



Pasternack Enterprises, Inc.
 P.O. Box 16759 | Irvine | CA | 92623
 Phone: (949) 261-1920 | Fax: (949) 261-7451
 Website: www.pasternack.com | E-Mail: sales@pasternack.com