

U Interface Transformer (2B1Q Coding Applications)

Designed for use with Motorola MC14572

Turns Ratio (± 3 %) (Line : Chip)	1.25 : 1
-------------------------------------	----------

PARAMETER	MIN.	MAX.	UNITS
Primary Inductance (Line Side) Pins 1 to 5 with 2 & 4 shorted.	26.3	29.7	mH
Primary DC Resistance		12	ohms
Secondary DC Resistance		8	ohms
Isolation (Hi-Pot)	3000		V _{RMS}
DC Bias		80	mA
Return Loss 10KHz & 25 KHz	20		dB
Longitudinal Balance (281 Hz to 40 KHz)	55		dB

NOTE:

Operating Temp. Range -40°C to +85°C

Primary is Line Side (Pins 1,2,4,5)
Secondary is Chip Side (Pins 7,8,9)

Surge Voltage Capability

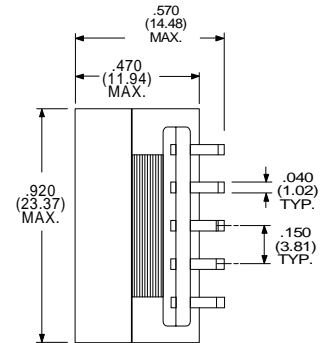
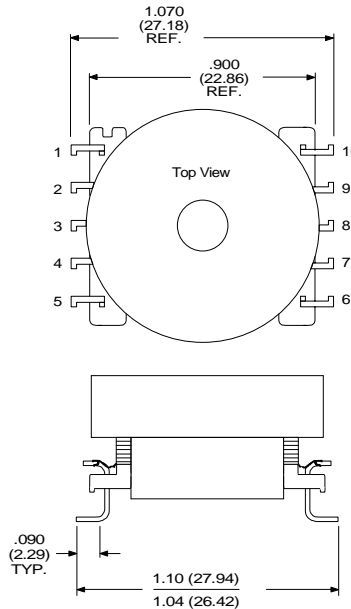
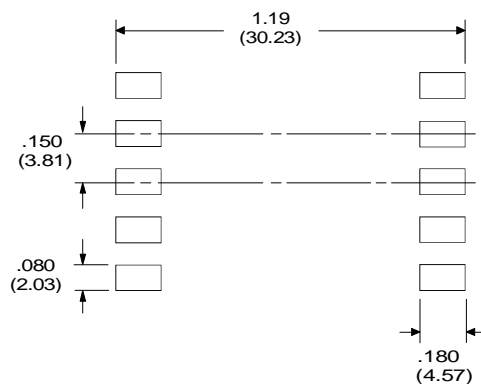
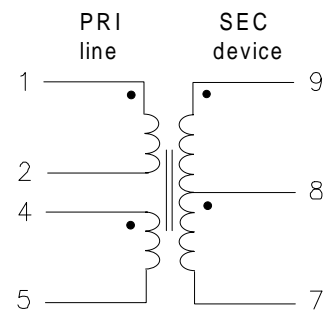
Metallic Voltage: 800 V peak, 10/560 μS

Longitudinal Voltage: 2400 V peak, 10/700 μS

REINFORCED INSULATION

Flammability: Materials used in the production of these units meet requirements of UL94-VO and IEC 695-2-2 needle flame test.

Schematic Diagram



Physical Dimensions inches (mm)

Notch Indicates Pin #1

RHOMBUS P/N: T-13221G	
CUST P/N:	NAME:
DATE: 7/2/96	SHEET: 1 of 1