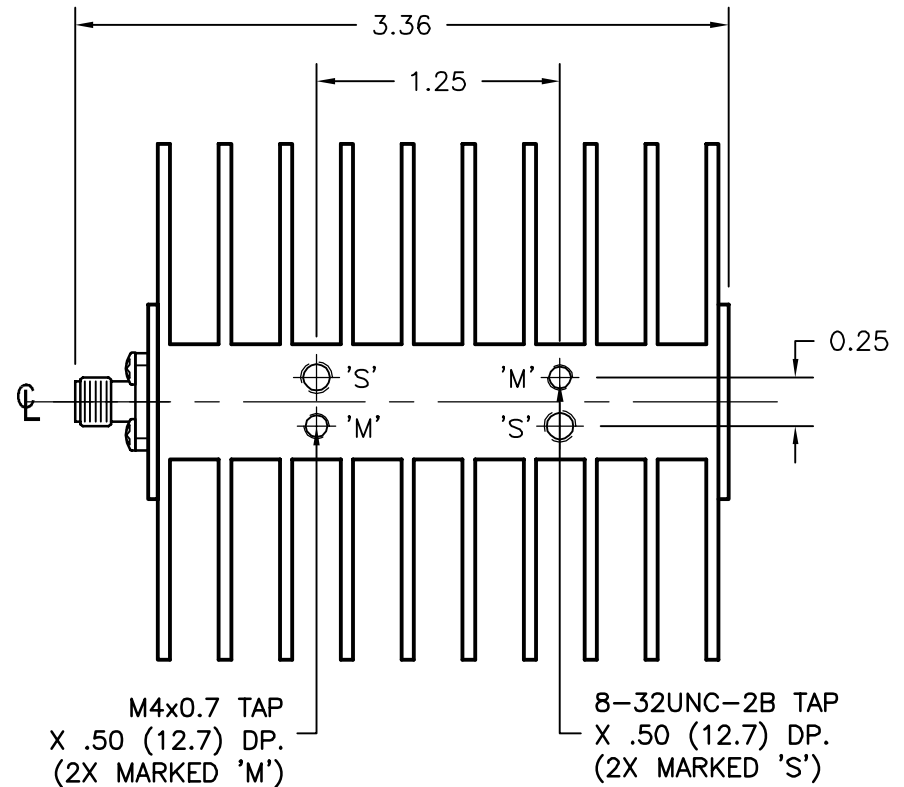
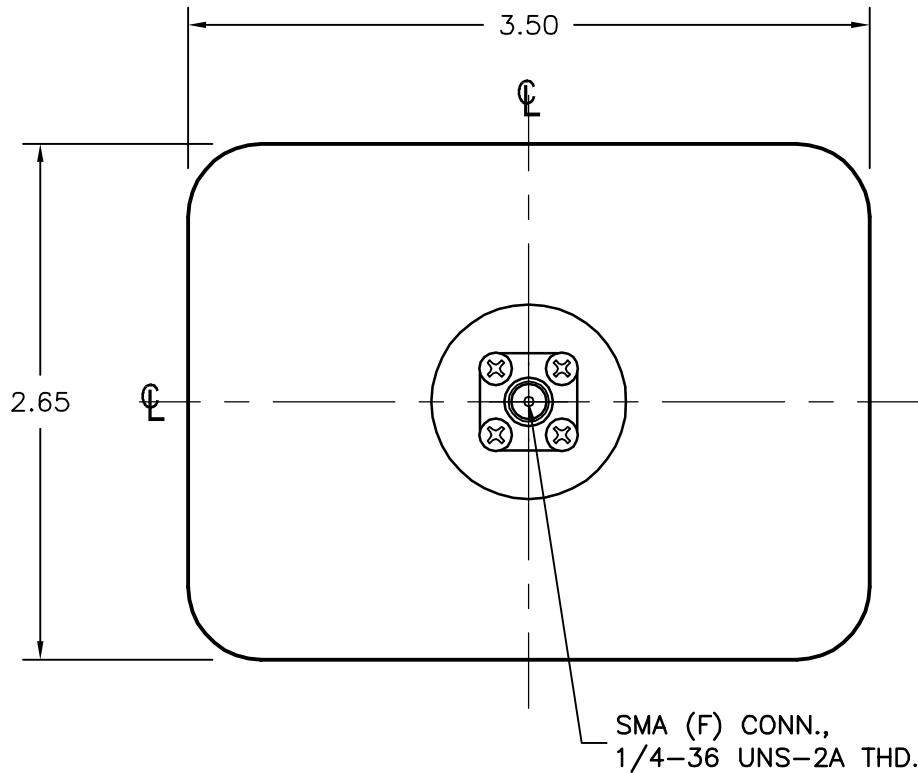


| | | | |
|-------|----------|---------------|--|
| REV - | AUTH RTK | DATE 4/28/00 | INITIAL RELEASE |
| REV A | AUTH RL | DATE 01/08/04 | UPDATED FORMAT, DIMS, NOTES, ADDED MOUNTING HOLES. |
| REV B | AUTH RL | DATE 10/25/06 | NOTES, FORMAT UPDATE |



Frequency Range: DC - 18 GHz

VSWR:

| | |
|----------------|---------------|
| DC - 6 GHz: | 1.25:1 (Max.) |
| 6 - 12.4 GHz: | 1.35:1 (Max.) |
| 12.4 - 18 GHz: | 1.45:1 (Max.) |

Input Power: 50 Watts Average At 25° C
Derated Linearly To
10 Watts At 125° C

Peak Power: 500 Watts (Max.)
(5uSec Pulse, .05% Duty Cycle)

Impedance: 50 Ohms

Operating Temp. Range: -65 C° To +125 C°

Materials:

| | |
|-------------|----------------------------|
| Housing: | Anodized Aluminum |
| Connectors: | Passivated Stainless Steel |
| Conductors: | Au Plated Beryllium Copper |

| | | | | | | | |
|---|------|-----------------|----------------------------|--|--------|---|--|
| THIRD ANGLE PROJECTION: | | APPROVALS | DATE | ADVANCED TECHNICAL MATERIALS, INC. TEL: (631) 289-0363 FAX: (631) 289-0358 www.atmmicrowave.com | | <small>THE INFORMATION IN THIS DRAWING IS PROPRIETARY AND SHALL NOT BE USED OR DISCLOSED WITHOUT THE PRIOR WRITTEN CONSENT OF ATM, INC. DO NOT SCALE DWG.</small> | |
| UNLESS OTHERWISE NOTED, DIMENSIONS ARE IN INCHES, TOLERANCES ARE: FRACTIONS: ±1/64 ANGLES: ±1/2° | | DRAWN RL | 04/28/00 | | | | |
| | | BASIC DIMENSION | | DECIMALS 2 PLACE 3 PLACE | APRVD. | OUTLINE, COAX TERMINATION, 50W, SMA | |
| UNDER 6" | ±.02 | ±.005 | MATERIAL SEE NOTES | SCALE 1 : 1 MODEL # T5017A SHEET 1/1 | | | |
| 6" - 12" | ±.03 | ±.010 | TREATMENT SEE NOTES | | | | |
| OVER 12" | ±.06 | ±.015 | FINISH SEE NOTES | | | | |