

CMUSHW2-4L

40V, 200mA

Low V_F Schottky Diode in the SOT-523W package



SOT-523W

Central Semiconductor's CMUSHW2-4L is a 40V, 200mA low V_F Schottky diode packaged in the SOT-523W surface mount case. The SOT-523W was designed with gull-wing leads as an alternative to the flat leads of the SOT-523 package. The CMUSHW2-4L has been optimized to function as an exceptionally energy efficient diode when operating in forward conduction mode. This device is ideal as a steering diode, flyback diode, voltage clamp or reverse polarity protector.

Features:

- Low forward voltage (240mV)
- High peak forward surge current (1.0A)
- SOT-523W package with gull-wing leads

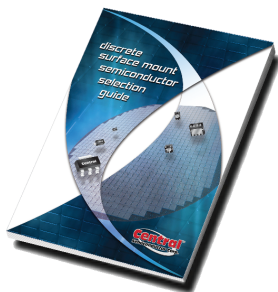
Applications:

- Reverse polarity protection
- Voltage clamping
- Steering diode
- Flyback diode

Benefits:

- Energy efficiency
- Space saving

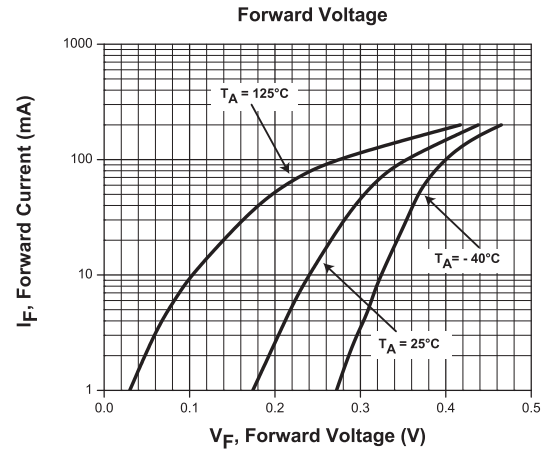
Literature



New
SMD
SELECTION
GUIDE

Order your selection guide today.
Visit: web.centrasemi.com/search/sample.php

Typical Electrical Characteristics



Samples



To order samples of this device visit:
www.centrasemi.com/info/CMUSHW2-4L

weblink scan

Use QR reader
for direct link to
product web page.

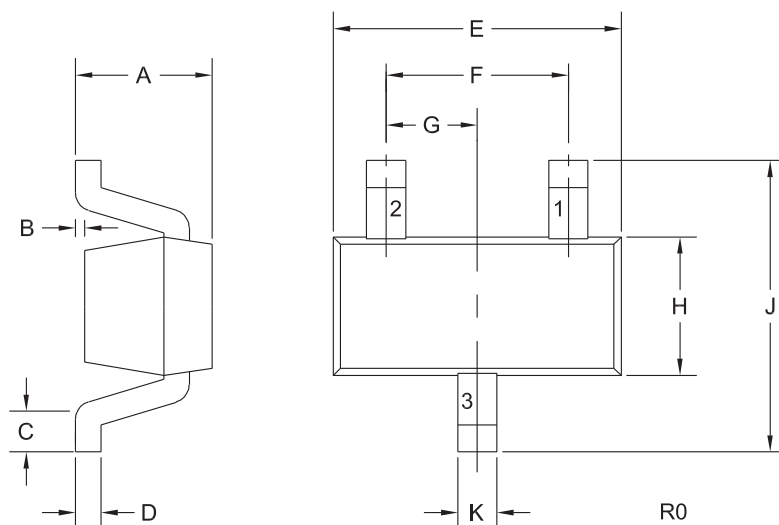


Electrical Characteristics ($T_A = 25^\circ\text{C}$ unless otherwise noted)								Thermal Characteristics			
V_{RRM}	I_F	V_F		@ I_F	I_R		@ V_R	C_T	P_D	T_J, T_{stg}	Θ_{JA}
(V) MAX	(mA) MAX	(V) TYP	(V) MAX	(mA)	(μA) TYP	(μA) MAX	(V)	(pF) TYP	(mW) MAX	($^\circ\text{C}$) MAX	($^\circ\text{C/W}$) MAX
40	200	0.24	0.325	10	11	50	20	8.5	250	-65 to +150	500
		0.35	0.4	100							
		0.42	0.5	200							

CMUSHW2-4L

40V, 200mA
Low V_F Schottky Diode
in the SOT-523W package

Mechanical Drawing - SOT-523W



SYMBOL	DIMENSIONS			
	INCHES		MILLIMETERS	
	MIN	MAX	MIN	MAX
A	-	0.031	-	0.80
B	0.000	0.004	0.00	0.10
C	0.006	0.012	0.15	0.30
D	0.005	0.006	0.13	0.15
E	0.058	0.066	1.48	1.68
F	0.039		1.00	
G	0.020		0.50	
H	0.026	0.034	0.66	0.86
J	0.059	0.067	1.50	1.70
K	0.007	0.009	0.19	0.24

SOT-523W (REV: R0)

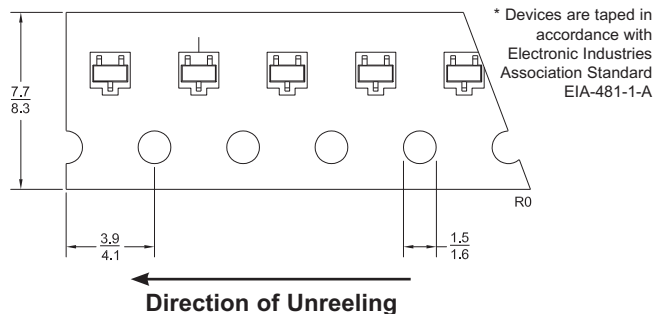
Lead Code:

- 1) Anode
- 2) No Connection
- 3) Cathode

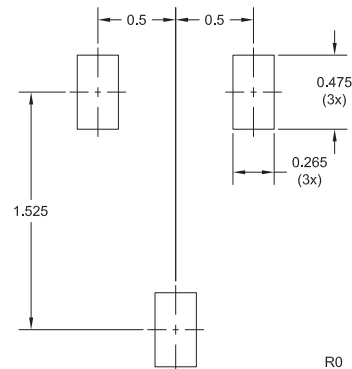
Marking Code: 24W

Tape Dimensions and Orientation (Dimensions in mm)

Tape Width: 8mm



Mounting Pad Geometry (Dimensions in mm)



Packaging Base / Ordering Information

Reel Size	Quantity	Central Item No.
7"	3,000	CMUSHW2-4L TR

Reel Packing Information

Reel Size	Reels per Box (Maximum)	Parts per Box (Maximum)	Box Dimensions		Shipping Weight (Max.)	
			INCH	CM	LB	KG
7"	9	27,000	9x9x5	23x23x13	3	2
	18	54,000	9x9x9	23x23x23	6	3
	40	120,000	21x9x9	53x23x23	13	6
	108	324,000	27x9x17	69x23x43	34	16

Sample devices available upon request. To order samples of this device visit: www.centrasemi.com/info/CMUSHW2-4L



Innovative Discrete Semiconductors

For further information contact:
 Sales at Central Semiconductor Corp.
 (631) 435-1110 or visit:
www.centrasemi.com

145 Adams Avenue • Hauppauge • New York • 11788 • USA • Tel:(631) 435-1110 • Fax:(631) 435-1824

PB CMUSHW2-4L (R0)