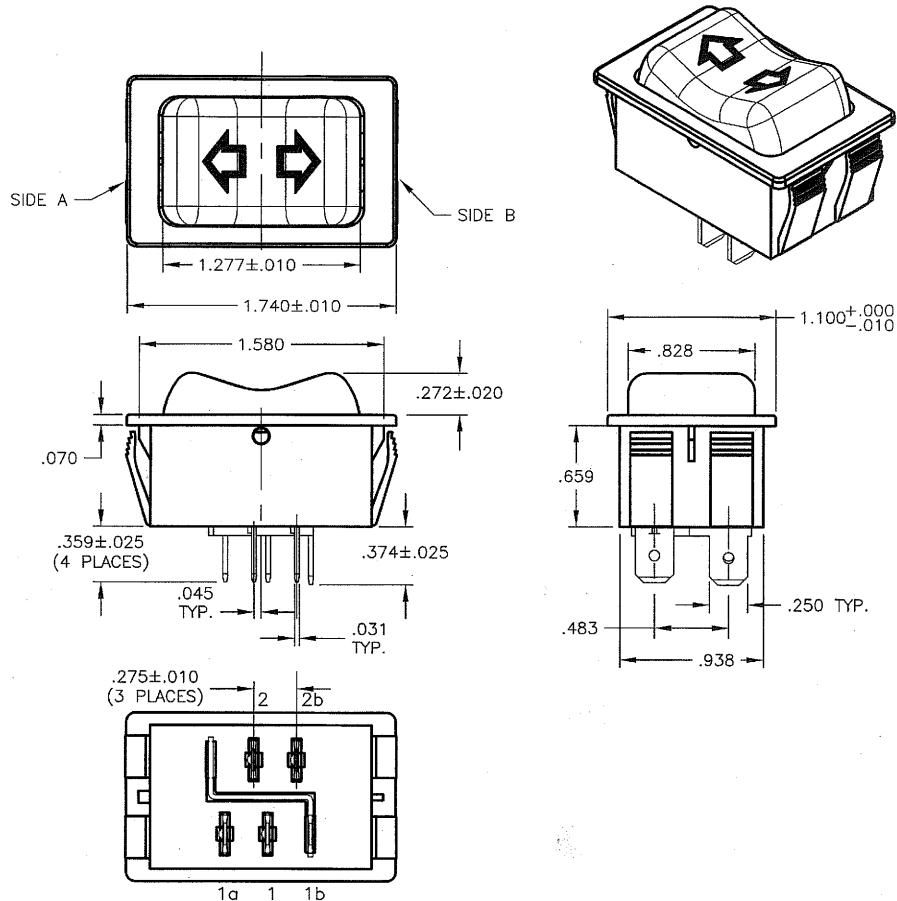


DIMENSIONS IN INCHES (MILLIMETERS)
DO NOT SCALE DRAWING

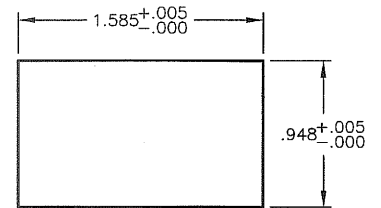
Dwg. No.
GRS-6024C-0005

E
D
C
B
A



ACTUATOR POSITION	CIRCUITS			
	1a-1	1-1b	1b-2	2-2b
CENTERED	CLOSED	OPEN	OPEN	CLOSED
DEPRESSED ON SIDE A	OPEN	CLOSED	OPEN	CLOSED
DEPRESSED ON SIDE B	CLOSED	OPEN	CLOSED	OPEN

Reversing Motor Circuit:
Terminals 1a & 2b ground
Terminal 1b power
Terminals 1 & 2 motor leads



PANEL OPENING

PANEL THICKNESS: .090

1 2 3 4 5 6 7 8 9 10

FORM-B3
REVISIONS
0
RELEASED
DGW 11-14-2011
NOV 15 2011

ATTENTION
THIS DRAWING AND ITS ATTACHMENTS, IF ANY, ARE PROPRIETARY TO CW INDUSTRIES AND DESCRIBE DESIGNS THAT ARE CONFIDENTIAL AND MUST NOT BE DISCLOSED UNLESS AUTHORIZED, IN WRITING, BY AN OFFICER OF CW INDUSTRIES.....

CW INDUSTRIES
Southampton, Pa. 18966
TOLERANCES UNLESS OTHERWISE SPECIFIED
2 Place Decimal ±.010 METRIC
3 Place Decimal ±.005 1 Place Dec. ±.25mm
Angles ±1' 2 Place Dec. ±.13mm
Made for:
Drawn by: DGW 11-14-2011
Checked by: G. Gold 11-14-11
Approval: G. Gold 11-14-11

Title:
REVERSING SWITCH
Division:
SWITCH
Dwg. No.
GRS-6024C-0005

MASTER