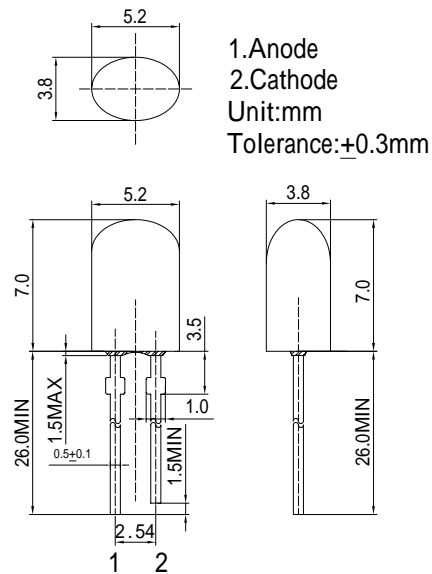


**Features**

High Luminous LEDs  
 5.2x3.8mm Standard Directivity  
 Superior Weather-resistance  
 UV Resistant Epoxy  
 Color Diffused Type

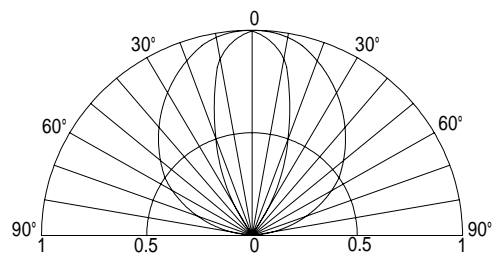
**Outline Dimension**

**Applications**

Display  
 VMS (Variable message signs)  
 Other Lighting

**Absolute Maximum Rating (Ta=25 °C)**

| Item                       | Symbol    | Value      | Unit |
|----------------------------|-----------|------------|------|
| DC Forward Current         | $I_F$     | 30         | mA   |
| Pulse Forward Current*     | $I_{FP}$  | 100        | mA   |
| Reverse Voltage            | $V_R$     | 5          | V    |
| Power Dissipation          | $P_D$     | 108        | mW   |
| Operating Temperature      | $T_{opr}$ | -30 ~ +85  |      |
| Storage Temperature        | $T_{stg}$ | -40 ~ +100 |      |
| Lead Soldering Temperature | $T_{sol}$ | 260 /5sec  | -    |

\*Pulse width Max.10ms Duty ratio max 1/10

**Directivity**

**Electrical -Optical Characteristics (Ta=25 °C)**

| Item                | Symbol          | Condition  | Min. | Typ.   | Max. | Unit    |
|---------------------|-----------------|------------|------|--------|------|---------|
| DC Forward Voltage  | $V_F$           | $I_F=20mA$ | 2.9  | 3.1    | 3.6  | V       |
| DC Reverse Current  | $I_R$           | $V_R=5V$   | -    | -      | 10   | $\mu A$ |
| Domi. Wavelength*   | $\lambda_D$     | $I_F=20mA$ | 465  | 470    | 475  | nm      |
| Luminous Intensity* | $I_v$           | $I_F=20mA$ | 330  | 450    | -    | mcd     |
| 50% Power Angle     | $2\theta_{1/2}$ | $I_F=20mA$ | -    | 110/40 | -    | deg     |

\*1 Tolerance of dominant wavelength is  $\pm 1nm$

\*2 Tolerance of luminous intensity is  $\pm 15\%$