

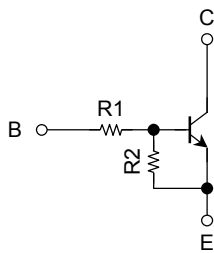
TOSHIBA Transistor Silicon NPN Epitaxial Type (PCT process) (Bias Resistor built-in Transistor)

RN1707JE, RN1708JE, RN1709JE

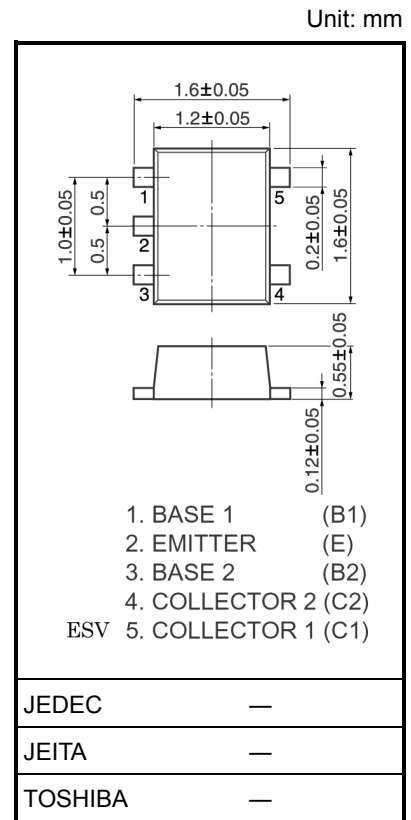
Switching, Inverter Circuit, Interface Circuit and Driver Circuit Applications.

- Two devices are incorporated into an Extreme-Super-Mini (5 pin) package.
- Incorporating a bias resistor into a transistor reduces parts count. Reducing the parts count enable the manufacture of ever more compact equipment and save assembly cost.
- Wide range of resistor values are available to use in various circuit designs.
- Complementary to RN2707JE~2709JE

Equivalent Circuit and Bias Resistor Values



Type No.	R1 (kΩ)	R2 (kΩ)
RN1707JE	10	47
RN1708JE	22	47
RN1709JE	47	22



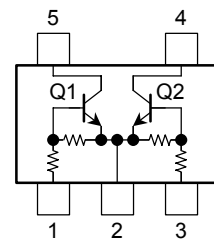
Weight: g (typ.)

Maximum Ratings (Ta = 25°C) (Q1, Q2 common)

Characteristics	Symbol	Rating	Unit
Collector-base voltage	RN1707JE~1709JE	V_{CBO}	50 V
Collector-emitter voltage		V_{CEO}	50 V
Emitter-base voltage	RN1707JE	V_{EBO}	6 V
	RN1708JE		7 V
	RN1709JE		15 V
Collector current	RN1707JE~1709JE	I_C	100 mA
Collector power dissipation		P_C (Note)	100 mW
Junction temperature		T_j	150 °C
Storage temperature range		T_{stg}	-55~150 °C

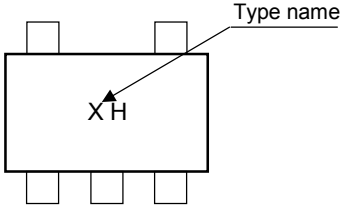
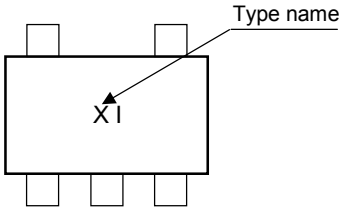
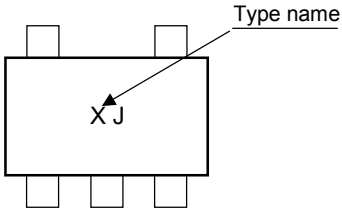
Note: Total rating

Equivalent Circuit (top view)



Electrical Characteristics (Ta = 25°C) (Q1, Q2 common)

Characteristics		Symbol	Test Condition	Min	Typ.	Max	Unit
Collector cut-off current	RN1707JE~1709JE	I_{CBO}	$V_{CB} = 50\text{ V}, I_E = 0$	—	—	100	nA
		I_{CEO}	$V_{CE} = 50\text{ V}, I_B = 0$	—	—	500	
Emitter cut-off current	RN1707JE	I_{EBO}	$V_{EB} = 6\text{ V}, I_C = 0$	0.081	—	0.15	mA
	RN1708JE			0.078	—	0.145	
	RN1709JE			0.167	—	0.311	
DC current gain	RN1707JE	h_{FE}	$V_{CE} = 5\text{ V}, I_C = 10\text{ mA}$	80	—	—	
	RN1708JE			80	—	—	
	RN1709JE			70	—	—	
Collector-emitter saturation voltage	RN1707JE~1709JE	$V_{CE(sat)}$	$I_C = 5\text{ mA}, I_B = 0.25\text{ mA}$	—	0.1	0.3	V
Input voltage (ON)	RN1707JE	$V_{I(ON)}$	$V_{CE} = 0.2\text{ V}, I_C = 5\text{ mA}$	0.7	—	1.8	V
	RN1708JE			1.0	—	2.6	
	RN1709JE			2.2	—	5.8	
Input voltage (OFF)	RN1707JE	$V_{I(OFF)}$	$V_{CE} = 5\text{ V}, I_C = 0.1\text{ mA}$	0.5	—	1	V
	RN1708JE			0.6	—	1.16	
	RN1709JE			1.5	—	2.6	
Transition frequency	RN1707JE~1709JE	f_T	$V_{CE} = 10\text{ V}, I_C = 5\text{ mA}$	—	250	—	MHz
Collector output capacitance	RN1707JE~1709JE	C_{ob}	$V_{CB} = 10\text{ V}, I_E = 0, f = 1\text{ MHz}$	—	3	6	pF
Input resistor	RN1707JE	R1	—	7	10	13	k Ω
	RN1708JE			15.4	22	28.6	
	RN1709JE			32.9	47	61.1	
Resistor ratio	RN1707JE	R1/R2	—	0.191	0.213	0.232	
	RN1708JE			0.421	0.468	0.515	
	RN1709JE			1.92	2.14	2.35	

Type Name	Marking
RN1707JE	 A schematic diagram of a rectangular component with four pins (two on top, two on bottom). The marking 'XH' is centered on the component. An arrow points from the text 'Type name' to the 'H' in 'XH'.
RN1708JE	 A schematic diagram of a rectangular component with four pins (two on top, two on bottom). The marking 'XI' is centered on the component. An arrow points from the text 'Type name' to the 'I' in 'XI'.
RN1709JE	 A schematic diagram of a rectangular component with four pins (two on top, two on bottom). The marking 'XJ' is centered on the component. An arrow points from the text 'Type name' to the 'J' in 'XJ'.

RESTRICTIONS ON PRODUCT USE

000707EAA

- TOSHIBA is continually working to improve the quality and reliability of its products. Nevertheless, semiconductor devices in general can malfunction or fail due to their inherent electrical sensitivity and vulnerability to physical stress. It is the responsibility of the buyer, when utilizing TOSHIBA products, to comply with the standards of safety in making a safe design for the entire system, and to avoid situations in which a malfunction or failure of such TOSHIBA products could cause loss of human life, bodily injury or damage to property.
In developing your designs, please ensure that TOSHIBA products are used within specified operating ranges as set forth in the most recent TOSHIBA products specifications. Also, please keep in mind the precautions and conditions set forth in the "Handling Guide for Semiconductor Devices," or "TOSHIBA Semiconductor Reliability Handbook" etc..
- The TOSHIBA products listed in this document are intended for usage in general electronics applications (computer, personal equipment, office equipment, measuring equipment, industrial robotics, domestic appliances, etc.). These TOSHIBA products are neither intended nor warranted for usage in equipment that requires extraordinarily high quality and/or reliability or a malfunction or failure of which may cause loss of human life or bodily injury ("Unintended Usage"). Unintended Usage include atomic energy control instruments, airplane or spaceship instruments, transportation instruments, traffic signal instruments, combustion control instruments, medical instruments, all types of safety devices, etc.. Unintended Usage of TOSHIBA products listed in this document shall be made at the customer's own risk.
- The information contained herein is presented only as a guide for the applications of our products. No responsibility is assumed by TOSHIBA CORPORATION for any infringements of intellectual property or other rights of the third parties which may result from its use. No license is granted by implication or otherwise under any intellectual property or other rights of TOSHIBA CORPORATION or others.
- The information contained herein is subject to change without notice.