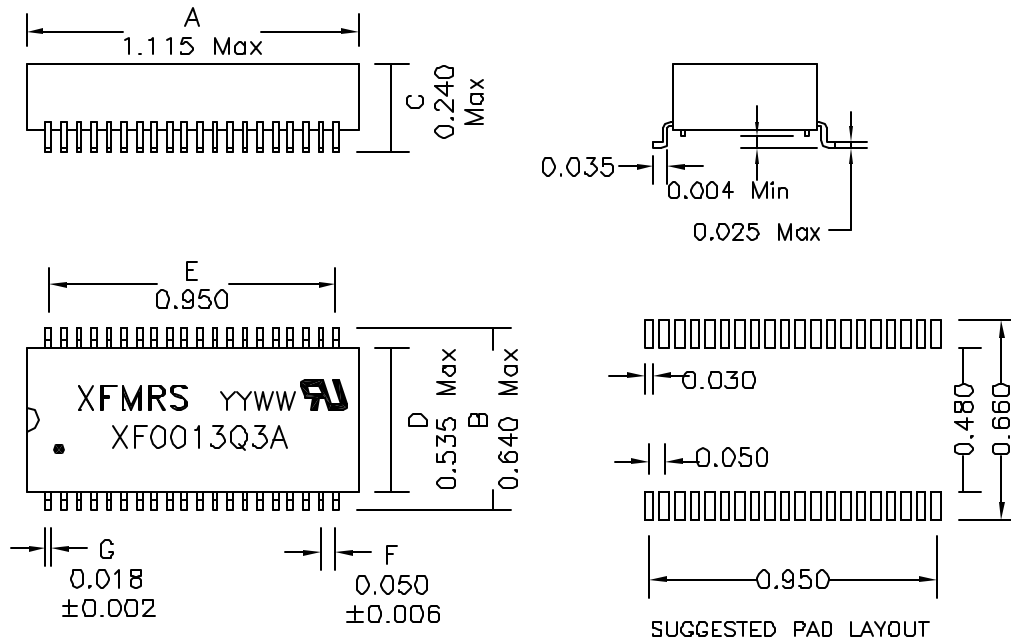
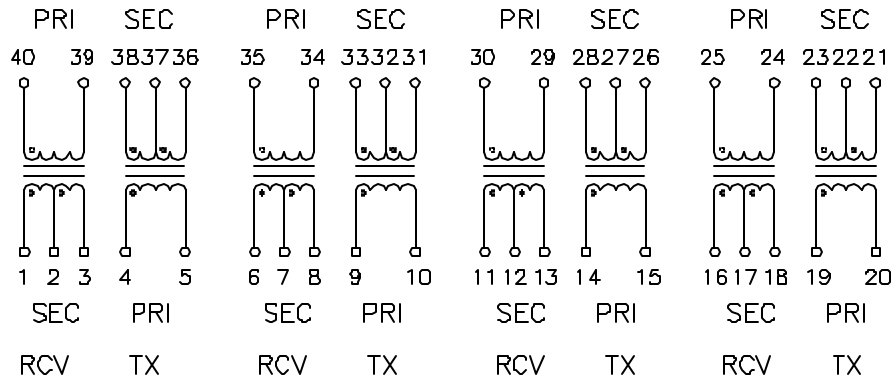


### 1. Mechanical Dimensions:



### 2. Schematic:



### 3. Electrical Specifications: @25°C

- Isolation: 1500Vrms (PRI to SEC)
- TX Turns Ratio: 1:2CT ±2% (PRI:SEC)
- RCV Turns Ratio: 1:2CT ±2% (PRI:SEC)
- TX PRI OCL: 1.20mH Minimum @100KHz 50mV
- RCV PRI OCL: 1.20mH Minimum @100KHz 50mV
- Pri Q: 5 Minimum @10KHz 50mV
- Cw/w: 35pF Maximum @100KHz 50mV (PRI/SEC)
- CROSSSTALK: 65 dB Typ
- TX PRI LL: 0.6uH Maximum @100KHz 50mV (SEC Shorted)
- RCV PRI LL: 0.6uH Maximum @100KHz 50mV (SEC Shorted)

**Notes:**

1. Solderability: Leads shall meet MIL-STD-202G, Method 208H for solderability.
2. Flammability: UL94V-0
3. ASTM oxygen index: > 28%
4. UL Recognized Component, file #E165B66, category WYQQ2.
5. Operating Temperature Range: All listed parameters are to be within tolerance from -40°C to +85°C
6. Storage Temperature Range: -55°C to +125°C
7. Aqueous wash compatible
8. SMD Lead Coplanarity: ±0.004"(0.102mm)
9. Electrical and mechanical specifications 100% tested
10. RoHS Compliant Component

<b>XFMRS Inc</b> www.XFMRS.com	Title: T1/E1/CEPT QUAD PORT		
	UNLESS OTHERWISE SPECIFIED	P/N: XFO013Q3A	REV. A
TOLERANCES: .xxx ±0.010	DWN.	Feng	Feb-15-11
Dimensions in INCH	CHK.	YK Liao	Feb-15-11
SHEET 1 OF 1	APP.	Joe Huff	Feb-15-11

DOC REV: A/9