

PLEASE CHECK WWW.MOLEX.COM FOR LATEST PART INFORMATION

Part Number: [0760485003](#)
Status: **Active**
Overview: [sfp_stacked_multiport_connectors](#)
Description: Small Form-factor Pluggable Plus (SFP+) Stacked 2-by-6 Multi-Port Connector with 2 Outer Lightpipe Ports, EMI Metal Gasket, 240 Circuits, Tin (Sn) Tails

Documents:

3D Model	Product Specification PS-75310-001 (PDF)
Drawing (PDF)	RoHS Certificate of Compliance (PDF)
Application Specification (PDF)	

Agency Certification

CSA	LR19980
UL	E29179

General

Product Family	I/O Connectors
Series	76048
Application	Module-to-Board
Component Type	Receptacle
Overview	sfp_stacked_multiport_connectors
Product Name	SFP Plus
Type	N/A

Physical

Boot Color	N/A
Circuits (Loaded)	240
Circuits (maximum)	240
Circuits Detail	240
Color - Resin	Black, Clear (Blue Tint)
Durability (mating cycles max)	100
Flammability	94V-0
Gender	Female
Keying to Mating Part	None
Lock to Mating Part	Yes
Material - Metal	High Performance Alloy (HPA)
Material - Plating Mating	Gold
Material - Plating Termination	Tin
Material - Resin	High Temperature Thermoplastic, Polycarbonate
Number of Rows	2
Orientation	Right Angle
PC Tail Length (in)	0.081 In
PC Tail Length (mm)	2.07 mm
PCB Locator	Yes
PCB Retention	Yes
PCB Thickness Recommended (in)	0.062 In
PCB Thickness Recommended (mm)	1.57 mm
Packaging Type	Tray
Panel Mount	No
Pitch - Mating Interface (in)	0.031 In
Pitch - Mating Interface (mm)	0.80 mm
Pitch - Term. Interface (in)	0.031 In
Pitch - Term. Interface (mm)	0.80 mm
Plating min: Mating (µin)	30.4
Plating min: Mating (µm)	0.76
Plating min: Termination (µin)	30.4

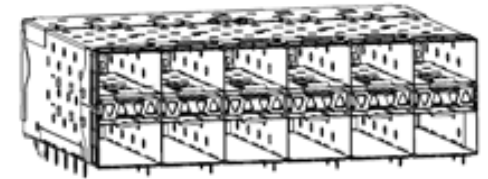


image - Reference only

Series

EU RoHS

ELV and RoHS Compliant

REACH SVHC

Not Reviewed

Halogen-Free

Status

Halogen-Free

Need more information on product environmental compliance?

Email productcompliance@molex.com
 For a multiple part number RoHS Certificate of Compliance, [click here](#)

Please visit the [Contact Us](#) section for any non-product compliance questions.

China RoHS



Search Parts in this Series

[76048Series](#)

Use With

[0759510999](#) SFP Dust Plug,

Application Tooling | FAQ

Tooling specifications and manuals are found by selecting the products below. Crimp Height Specifications are then contained in the Application Tooling Specification document.

Global

Description	Product #
SFP Insertion Tool, x 6	20622029925
SFP Stacked Multi-Port Extraction Tool, 2 by 6	0622029950

Plating min: Termination (μm)	0.76
Polarized to Mating Part	Yes
Polarized to PCB	Yes
Surface Mount Compatible (SMC)	No
Temperature Range - Operating	-40°C to +85°C
Termination Interface: Style	Through Hole - Compliant Pin
Waterproof / Dustproof	No

Electrical

Current - Maximum per Contact	0.5A
Grounding to Panel	None
Shield Type	EMI Gasket
Shielded	Yes
Voltage - Maximum	120V AC (RMS)/DC

Material Info

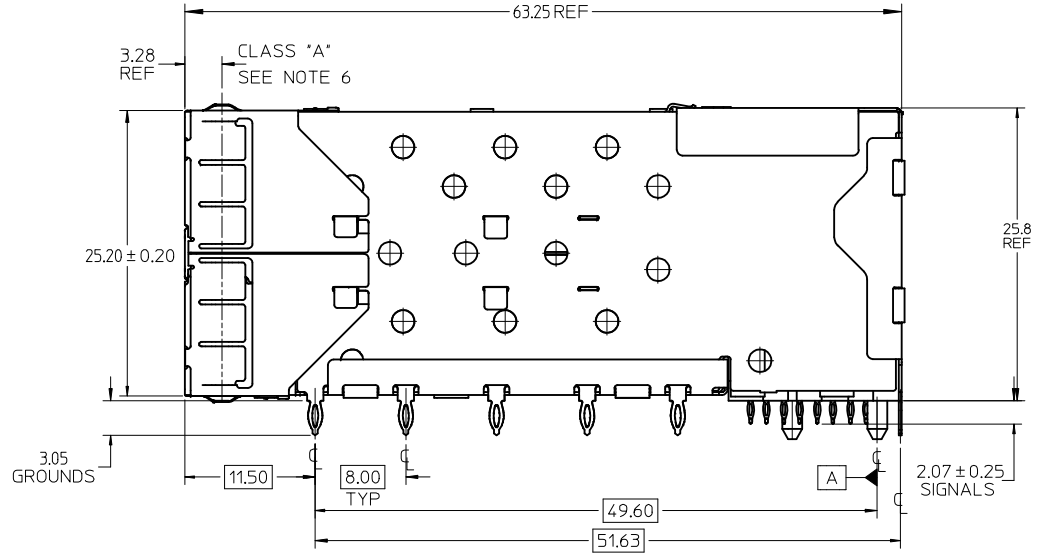
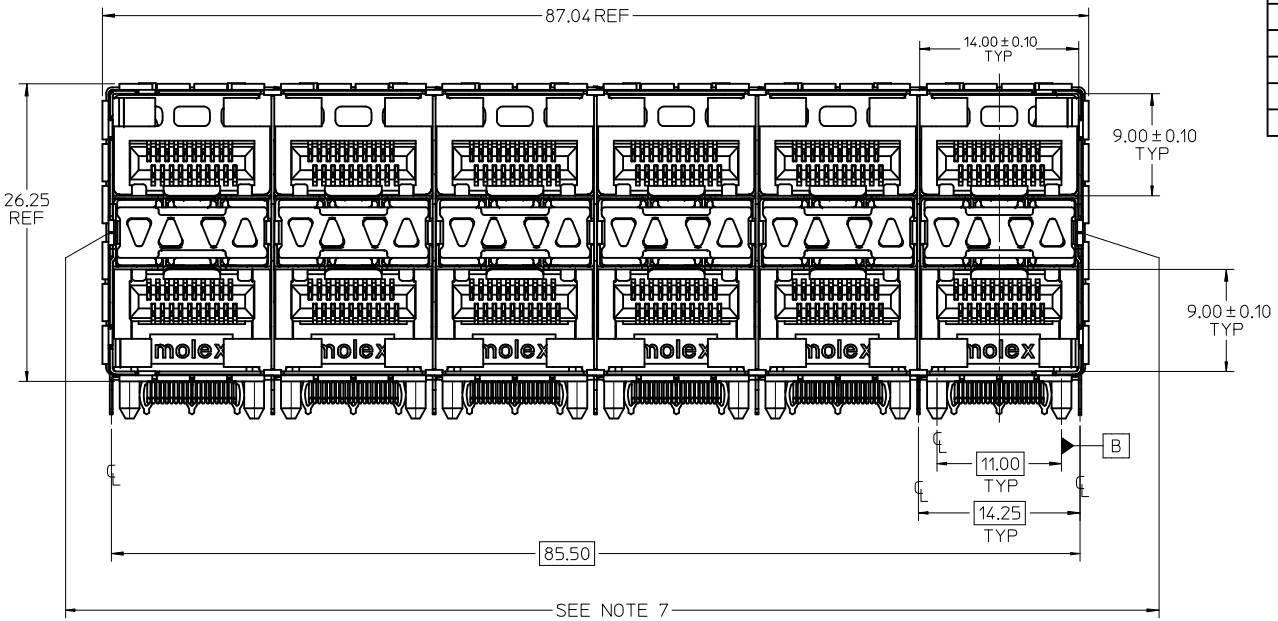
Reference - Drawing Numbers

Product Specification	PS-75310-001
Sales Drawing	SD-76048-001
Test Summary	TS-75310-001

This document was generated on 05/27/2010

PLEASE CHECK WWW.MOLEX.COM FOR LATEST PART INFORMATION

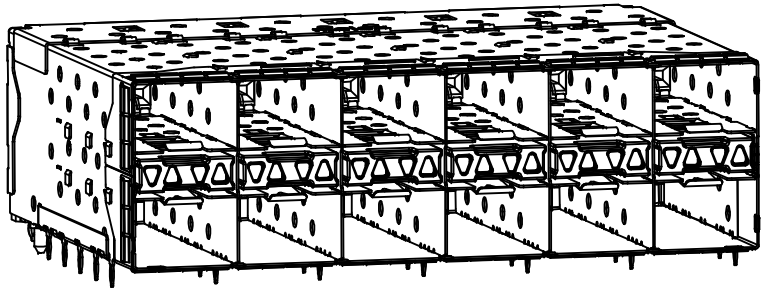
PART NUMBER	DESCRIPTION	VIEW	COMPLIANT TAIL PLATING
760480001	4 LIGHT PORTS	SEE PG 2	TIN / LEAD
760480002	INNER 2 PORTS	SEE PG 2	TIN / LEAD
760480003	OUTER 2 PORTS	SEE PG 2	TIN / LEAD
760485001	4 LIGHT PORTS	SEE PG 2	TIN
760485002	INNER 2 PORTS	SEE PG 2	TIN
760485003	OUTER 2 PORTS	SEE PG 2	TIN



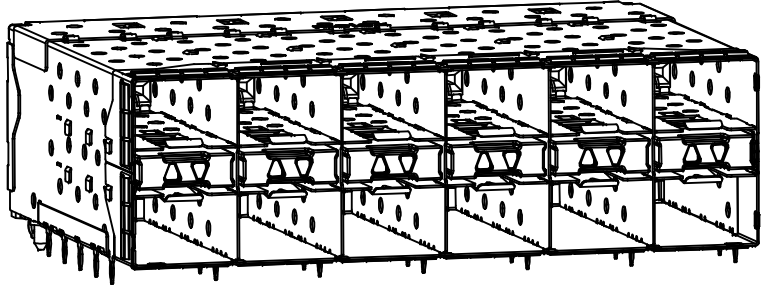
- NOTES:
- MATERIAL:
 - CAGE: NICKEL SILVER, THICKNESS: 0.25mm
 - EMI GASKET: PHOS-BRONZE
 - CONNECTOR HOUSING: GLASS FILLED THERMOPLASTIC, UL: 94 V-0, COLOR: BLACK
 - OVERMOLD TERMINAL HOUSING: GLASS FILLED THERMOPLASTIC, UL: 94 V-0, COLOR: BLACK
 - TERMINALS: BRASS
 - LIGHT PIPE: POLYCARBONATE UL 94 V-0, COLOR CLEAR
 - LIGHT PIPE HOUSING: ZINC
 - FINISH
 - TERMINALS:
 - CONTACT AREA: 0.76 MICRONS MIN. HARD GOLD OVER 1.27 MICRONS MIN. NICKEL.
 - COMPLIANT TAIL - TIN/LEAD OPTION: 0.76 - 1.52 MICRONS 90/10 TIN/LEAD OVER 0.76 - 1.52 MICRONS NICKEL
 - COMPLIANT TAIL - TIN OPTION: 0.76 - 1.52 MICRONS TIN OVER 0.76 - 1.52 MICRONS NICKEL
 - EMI GASKET: 2.54 MICRONS NICKEL OVERALL
 - LIGHT PIPE HOUSING: 150 MICRONS NICKEL OVER 150 MICRONS COPPER
 - REFER TO PS-75310-001 PRODUCT SPEC FOR ALL ELECTRICAL, MECHANICAL AND ENVIRONMENTAL SPECIFICATIONS.
 - LIGHT PIPE PAD LAYOUT IS FOR 0805 LOW-PROFILE LED PACKAGE FOR OTHER RECOMMENDED LAYOUTS REFER TO MOLEX'S REPORT TS-75310-001.
 - REFER TO PK-75451-001 FOR ALL PACKAGING SPECIFICATIONS.
 - ALL EXTERIOR SURFACES TO BE CLASS "B" SURFACES EXCEPT THE UNDER SIDE OF THE CAGE WHERE THE PCB WOULD BE LOCATED AND AS NOTED. THE SURFACES TO CONFORM TO THE MOLEX COSMETIC DOC PS-45499-002.
 - THE OVERALL CAGE WIDTH AT THE VERTICAL CENTER OF THE FRONT EDGE WILL FALL WITHIN THIS DIMENSION: 86.30+/-0.30 MM. THIS PORTION OF THE CAGE WILL FLEX INWARD AS THE CAGE IS BEING INSERTED INTO THE BEZEL OPENING.

ADD NOTE 7/KEEPOUT'S EC NO: UCP2009-1582 DRWN:MS BARRA 2009/01/07 CHKD:BBARKER 2009/01/09 APPR:SMILLER 2009/01/12	QUALITY SYMBOLS ▽=0 ▽=0	GENERAL TOLERANCES (UNLESS SPECIFIED)		DIMENSION STYLE MM ONLY		SCALE 3:1	DESIGN UNITS METRIC	THIRD ANGLE PROJECTION			
		4 PLACES ± --- ± ---	3 PLACES ± --- ± ---	2 PLACES ± 0.13 ± ---	1 PLACE ± 0.25 ± ---	DRAWN BY MSANDBERG	DATE 09/28/2006	TITLE STACKED SFP+ 2X6 ASSY WITH METAL EMI GASKET AND LIGHTPIPES			
		ANGULAR ± 5 °				CHECKED BY JLONG	DATE 09/28/2006	APPROVED BY KREGNIER			
		DRAFT WHERE APPLICABLE MUST REMAIN WITHIN DIMENSIONS				MATERIAL NO. SEE TABLE	DATE 09/28/2006	MOLEX INCORPORATED		DOCUMENT NO. SD-76048-001	SHEET NO. 1 OF 4

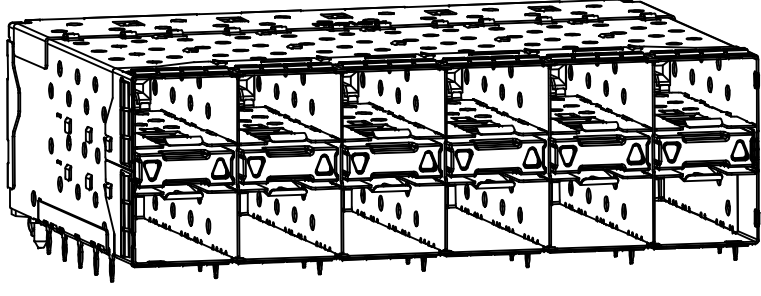
THIS DRAWING CONTAINS INFORMATION THAT IS PROPRIETARY TO MOLEX INCORPORATED AND SHOULD NOT BE USED WITHOUT WRITTEN PERMISSION



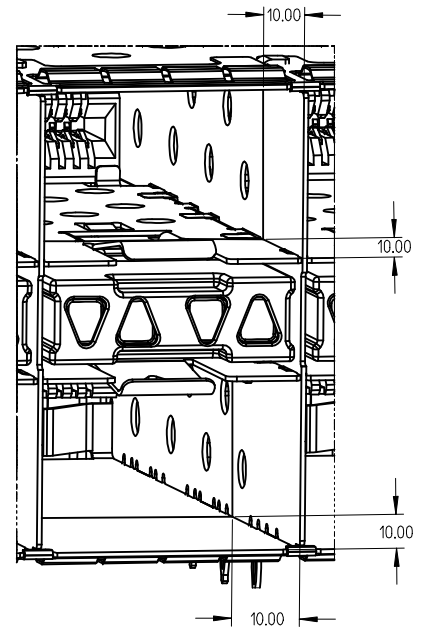
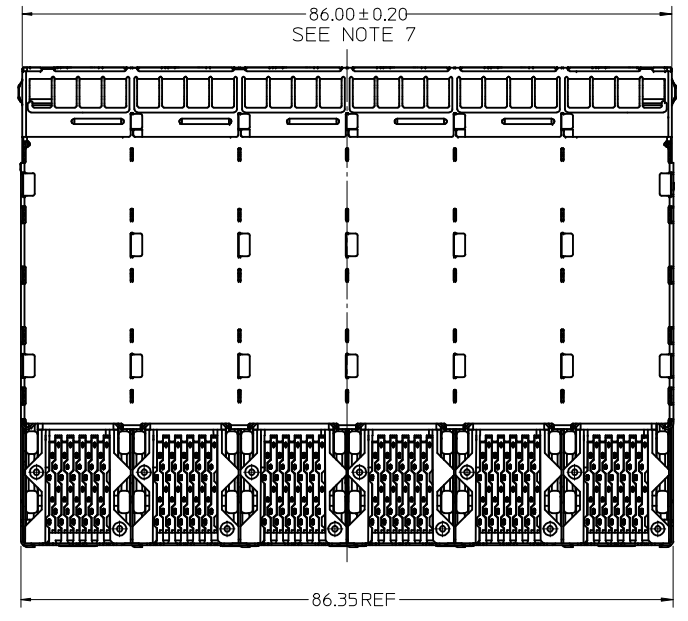
760480001 AND 760485001
WITH INNER AND OUTER LIGHT PIPES



760480002 AND 760485002
WITH INNER LIGHT PIPES

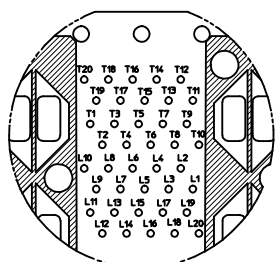


760480003 AND 760485003
WITH OUTER LIGHT PIPES

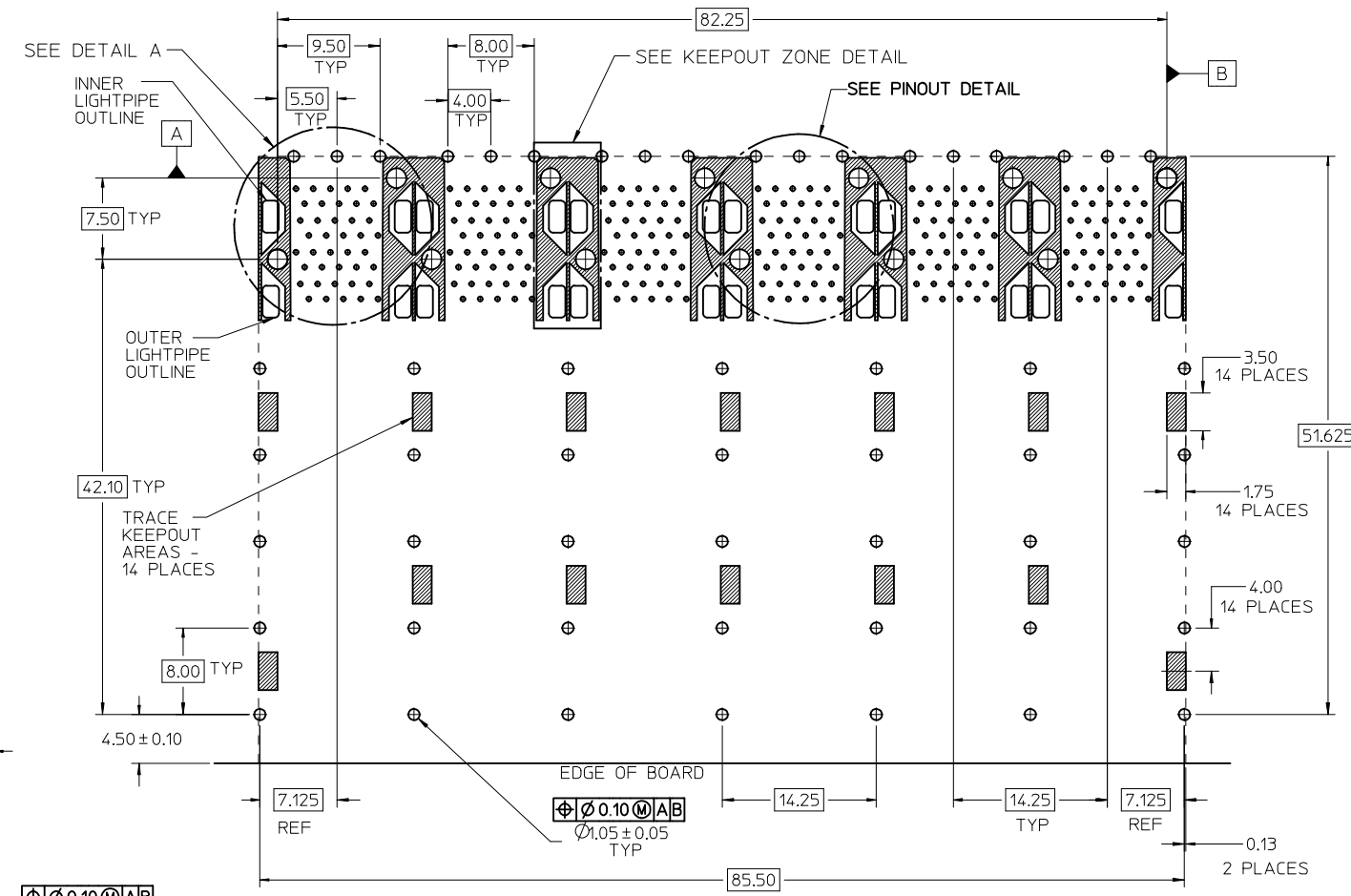


10.00MM AREA SETBACK IN CAGE IS TO BE FREE OF ANY HOLES, DIMPLES, SEAMS OR ANY OTHER FEATURE. (4 SIDES PER PORT)

SEE SHEET 1 EC NO: UCP2009-1582 DRWINHIS BARRA 2009/01/07 CHKD:BBARKER 2009/01/09 APPR:SMILLER 2009/01/12	QUALITY SYMBOLS ▽=0 ▽=0	GENERAL TOLERANCES (UNLESS SPECIFIED) <table border="1"> <tr> <th></th> <th>mm</th> <th>INCH</th> </tr> <tr> <td>4 PLACES ±</td> <td>---</td> <td>±---</td> </tr> <tr> <td>3 PLACES ±</td> <td>---</td> <td>±---</td> </tr> <tr> <td>2 PLACES ±</td> <td>0.13</td> <td>±---</td> </tr> <tr> <td>1 PLACE ±</td> <td>0.25</td> <td>±---</td> </tr> <tr> <td colspan="3">ANGULAR ± 5 °</td> </tr> </table>		mm	INCH	4 PLACES ±	---	±---	3 PLACES ±	---	±---	2 PLACES ±	0.13	±---	1 PLACE ±	0.25	±---	ANGULAR ± 5 °			DIMENSION STYLE MM ONLY DRAWN BY DATE MSANDBERG 09/28/2006 CHECKED BY DATE JLONG 09/28/2006 APPROVED BY DATE KREGNIER 09/28/2006 MATERIAL NO.	SCALE 2:1 DESIGN UNITS METRIC THIRD ANGLE PROJECTION	TITLE STACKED SFP+ 2X6 ASSY WITH METAL EMI GASKET AND LIGHTPIPES MOLEX INCORPORATED DOCUMENT NO. SD-76048-001	SHEET NO. 2 OF 4
		mm	INCH																					
	4 PLACES ±	---	±---																					
	3 PLACES ±	---	±---																					
2 PLACES ±	0.13	±---																						
1 PLACE ±	0.25	±---																						
ANGULAR ± 5 °																								
DRAFT WHERE APPLICABLE MUST REMAIN WITHIN DIMENSIONS	SIZE SEE TABLE	THIS DRAWING CONTAINS INFORMATION THAT IS PROPRIETARY TO MOLEX INCORPORATED AND SHOULD NOT BE USED WITHOUT WRITTEN PERMISSION																						

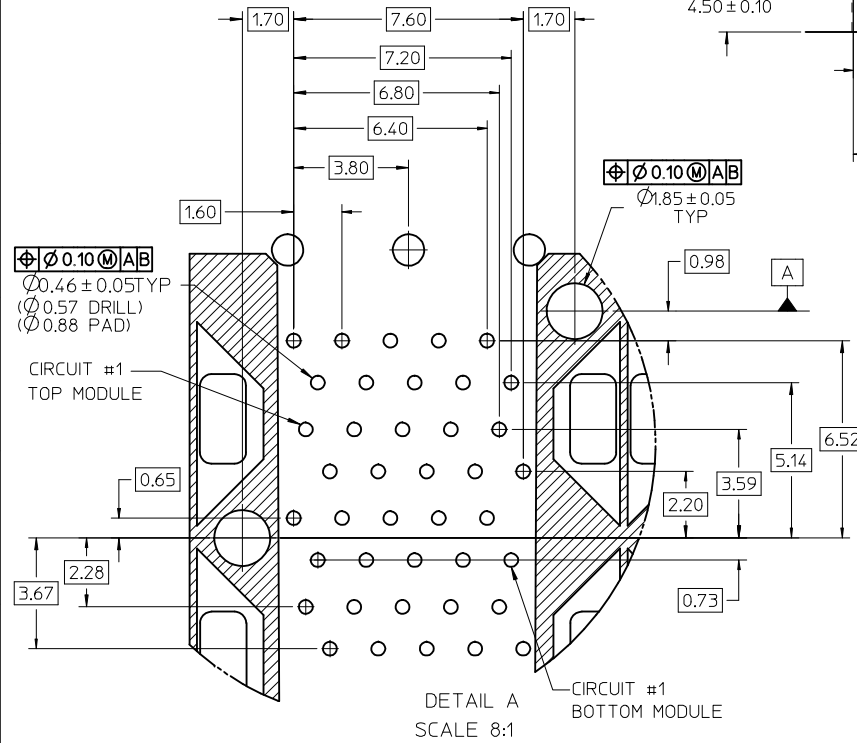


CONNECTOR PIN-OUT DETAIL
COMPONENT SIDE OF BOARD



RECOMMENDED PCB LAYOUT - COMPONENT SIDE
RECOMMENDED PCB THICKNESS - 2.63 MM (.093 INCH)

THE ENTIRE AREA OF THE CONNECTOR FOOTPRINT
TO BE CONSIDERED THE KEEP OUT AREA FOR COMPONENTS
(OTHER THAN LIGHT PIPE LED'S)
THIS AREA IS INDICATED BY THE DASHED LINE



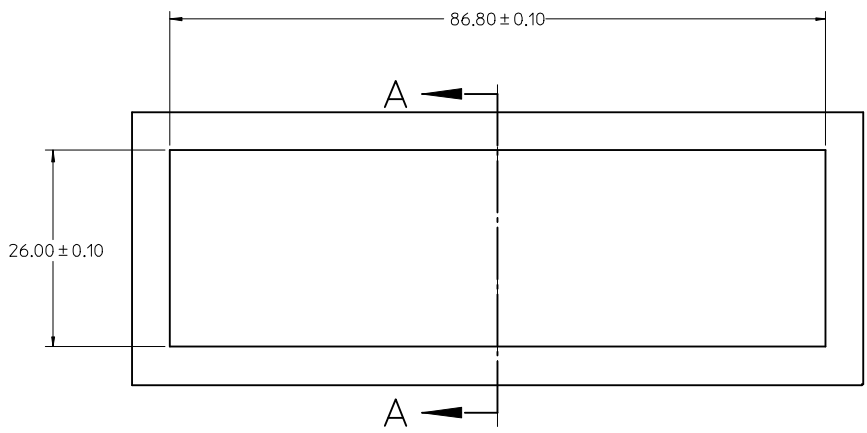
DETAIL A
SCALE 8:1

REV	DESCRIPTION	QUALITY SYMBOLS
1	ADD KEEP OUT ZONES	▽=0
2	EC NO: UCP2009-1582	▽=0
3	DRWN:MS BARRA 2009/01/07	
4	CHKD:BBARKER 2009/01/09	
5	APPR:SMILLER 2009/01/12	

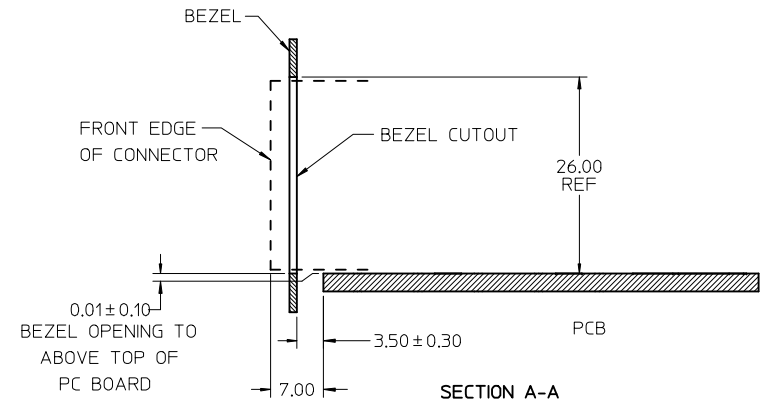
GENERAL TOLERANCES (UNLESS SPECIFIED)	
mm	INCH
4 PLACES ± .01	± .0004
3 PLACES ± .01	± .0004
2 PLACES ± 0.13	± .0051
1 PLACE ± 0.25	± .0098
ANGULAR ± 5°	

DIMENSION STYLE	
MM ONLY	
DRAWN BY	DATE
MSANDBERG	09/28/2006
CHECKED BY	DATE
JLONG	09/28/2006
APPROVED BY	DATE
KREGNIER	09/28/2006
MATERIAL NO.	
SEE TABLE	
SIZE	
THIS DRAWING CONTAINS INFORMATION THAT IS PROPRIETARY TO MOLEX INCORPORATED AND SHOULD NOT BE USED WITHOUT WRITTEN PERMISSION	

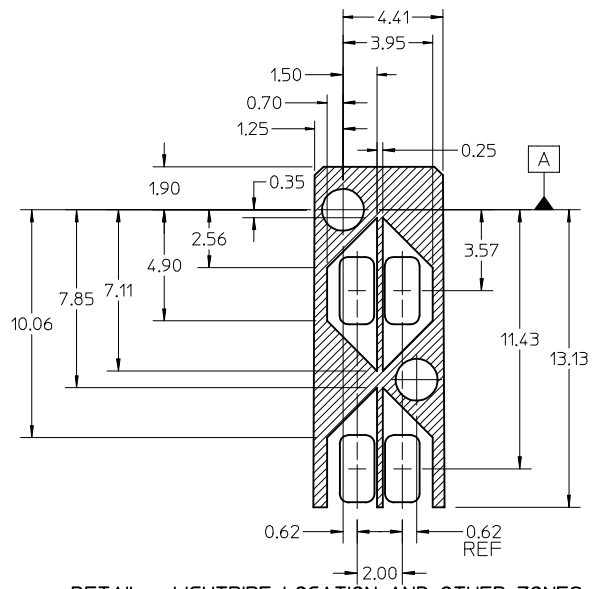
SCALE	DESIGN UNITS	THIRD ANGLE PROJECTION
3:1	METRIC	THIRD ANGLE PROJECTION
TITLE		
STACKED SFP+ 2X6 ASSY WITH METAL EMI GASKET AND LIGHTPIPES		
MOLEX INCORPORATED		
DOCUMENT NO.	SHEET NO.	
SD-76048-001	3 OF 4	



BEZEL CUTOUT CENTER SPACING DETAIL
BEZEL THICKNESS 0.8 - 2.6



SECTION A-A



DETAIL - LIGHTPIPE LOCATION AND OTHER ZONES
SCALE 6:1

THE HATCHED AREA IN THIS VIEW INDICATES ZONES THAT ARE OCCUPIED BY THE PLASTIC HOUSING THAT SEATS AGAINST THE PCB AND BY THE VERTICAL METAL CAGE WALL THAT STOPS JUST SHORT OF THE PCB

SEE SHEET 1	EC NO: UCP2009-1582	2009/01/07
	DRWN:MSI BARRA	2009/01/07
	CHKD:BBARKER	2009/01/09
	APPR:SMILLER	2009/01/12

QUALITY SYMBOLS	▽=0
	▽=0
GENERAL TOLERANCES (UNLESS SPECIFIED)	mm
	INCH
	ANGULAR ± 5 °
DRAFT WHERE APPLICABLE MUST REMAIN WITHIN DIMENSIONS	SIZE
	SEE TABLE

DIMENSION STYLE		SCALE	DESIGN UNITS	THIRD ANGLE PROJECTION
MM ONLY		2:1	METRIC	☉
DRAWN BY	DATE	TITLE		
MSANDBERG	09/28/2006	STACKED SFP+ 2X6 ASSY WITH METAL EMI GASKET AND LIGHTPIPES		
CHECKED BY	DATE	APPROVED BY		
JLONG	09/28/2006	KREGNIER		
APPROVED BY		DATE	MATERIAL NO.	
KREGNIER		09/28/2006	DOCUMENT NO.	
MATERIAL NO.		DOCUMENT NO.		SHEET NO.
SEE TABLE		SD-76048-001		4 OF 4

MATERIAL NO.		DOCUMENT NO.		SHEET NO.
SEE TABLE		SD-76048-001		4 OF 4
THIS DRAWING CONTAINS INFORMATION THAT IS PROPRIETARY TO MOLEX INCORPORATED AND SHOULD NOT BE USED WITHOUT WRITTEN PERMISSION				