

PLEASE CHECK WWW.MOLEX.COM FOR LATEST PART INFORMATION

Part Number: **0879180001**
Status: **Active**
Description: 0.60mm (.024") Pitch miniDIMM DDR2 Socket, Surface Mount, Right Angle, 1.8V Key, 244 Circuits, Lead-free

Documents:

[3D Model](#) [Product Specification PS-87918-001 \(PDF\)](#)
[Drawing \(PDF\)](#) [RoHS Certificate of Compliance \(PDF\)](#)

Agency Certification

CSA LR19980
 UL E29179

General

Product Family Memory Module Sockets
 Series [87918](#)
 Comments Latches in Off-White Color
 Component Type Socket
 JEDEC Outline MO-244
 Product Name MiniDIMM

Physical

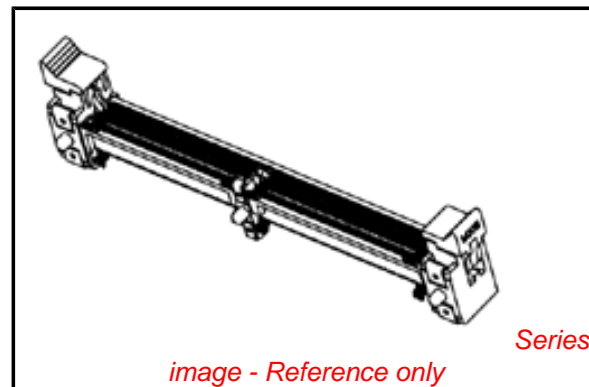
Circuits (Loaded) 244
 Color - Resin Black, Natural
 Durability (mating cycles max) 25
 Entry Angle 90° Angle (Side Entry)
 Flammability 94V-0
 Keying to Mating Part Yes
 Material - Metal Copper Alloy
 Material - Plating Mating Gold
 Material - Plating Termination Tin
 Material - Resin High Temperature Thermoplastic
 PCB Locator Yes
 PCB Retention Yes
 PCB Thickness Recommended (in) 0.062 In
 PCB Thickness Recommended (mm) 1.57 mm
 Packaging Type Tray
 Pitch - Mating Interface (in) 0.024 In
 Pitch - Mating Interface (mm) 0.60 mm
 Plating min: Mating (µin) 30
 Plating min: Mating (µm) 0.76
 Plating min: Termination (µin) 100
 Plating min: Termination (µm) 2.54
 Temperature Range - Operating -55°C to +85°C
 Termination Interface: Style Surface Mount

Electrical

Current - Maximum per Contact 1A
 Voltage - Maximum 30V
 Voltage Key 1.8V

Solder Process Data

Duration at Max. Process Temperature (seconds) 10
 Lead-free Process Capability SMC & Wave Capable (TH only)
 Max. Cycles at Max. Process Temperature 2
 Process Temperature max. C 260



EU RoHS

ELV and RoHS Compliant
REACH SVHC
 Not Reviewed
Halogen-Free Status
Not Reviewed

China RoHS



Need more information on product environmental compliance?

Email productcompliance@molex.com
 For a multiple part number RoHS Certificate of Compliance, [click here](#)

Please visit the [Contact Us](#) section for any non-product compliance questions.

Search Parts in this Series

[87918Series](#)

Mates With

[JEDEC MO-244 Modules](#)

Material Info

Reference - Drawing Numbers

Product Specification

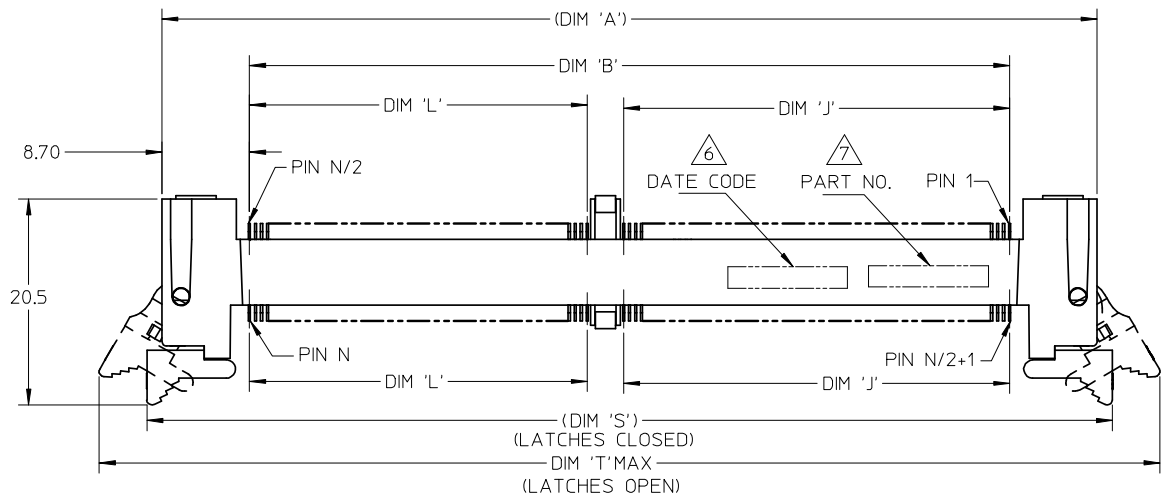
PS-87918-001

Sales Drawing

SD-87918-001

This document was generated on 04/09/2010

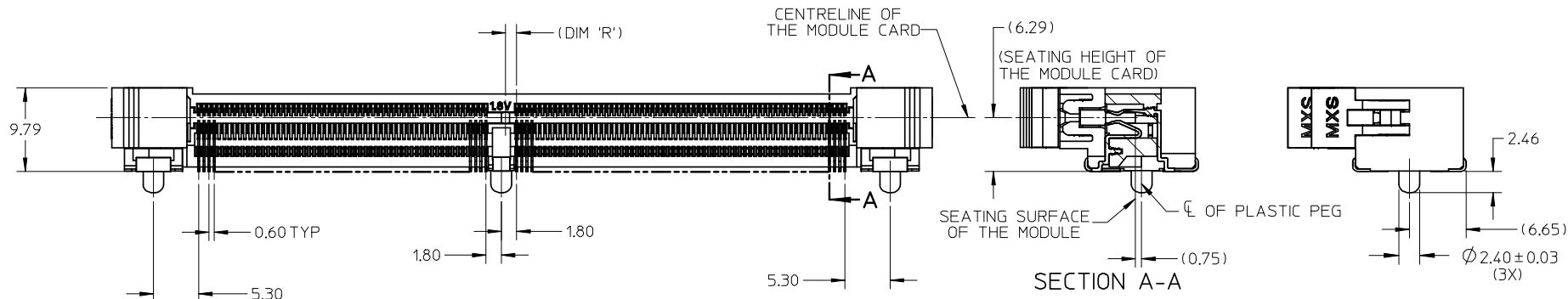
PLEASE CHECK WWW.MOLEX.COM FOR LATEST PART INFORMATION



NOTES :

- 1) MATERIAL :
HOUSING : HIGH TEMPERATURE LIQUID CRYSTAL POLYMER, UL94V-0
COLOUR : BLACK
CONTACTS : COPPER ALLOY
LATCHES : HIGH TEMPERATURE NYLON, UL94V-0
COLOUR : NATURAL (OFF-WHITE)
- 2) FINISH :
CONTACT AREA : 0.76 MICROMETER (30 MICROINCH) MIN GOLD OVER
1.25 MICROMETER (50 MICROINCH) MIN NICKEL
SOLDER LEADS : 2.54 MICROMETER (100 MICROINCH) MIN TIN OVER
1.25 MICROMETER (50 MICROINCH) MIN NICKEL
- 3) ACCEPTS 1.0 mm THICK MEMORY MODULE PER JEDEC MO-244
FOR 244 CKTS AND MO-258 FOR 200 CKTS.
- 4) PRODUCT SPECIFICATION : PS-87918-001
- 5) PRODUCT SHALL BE PACKED IN TRAY.

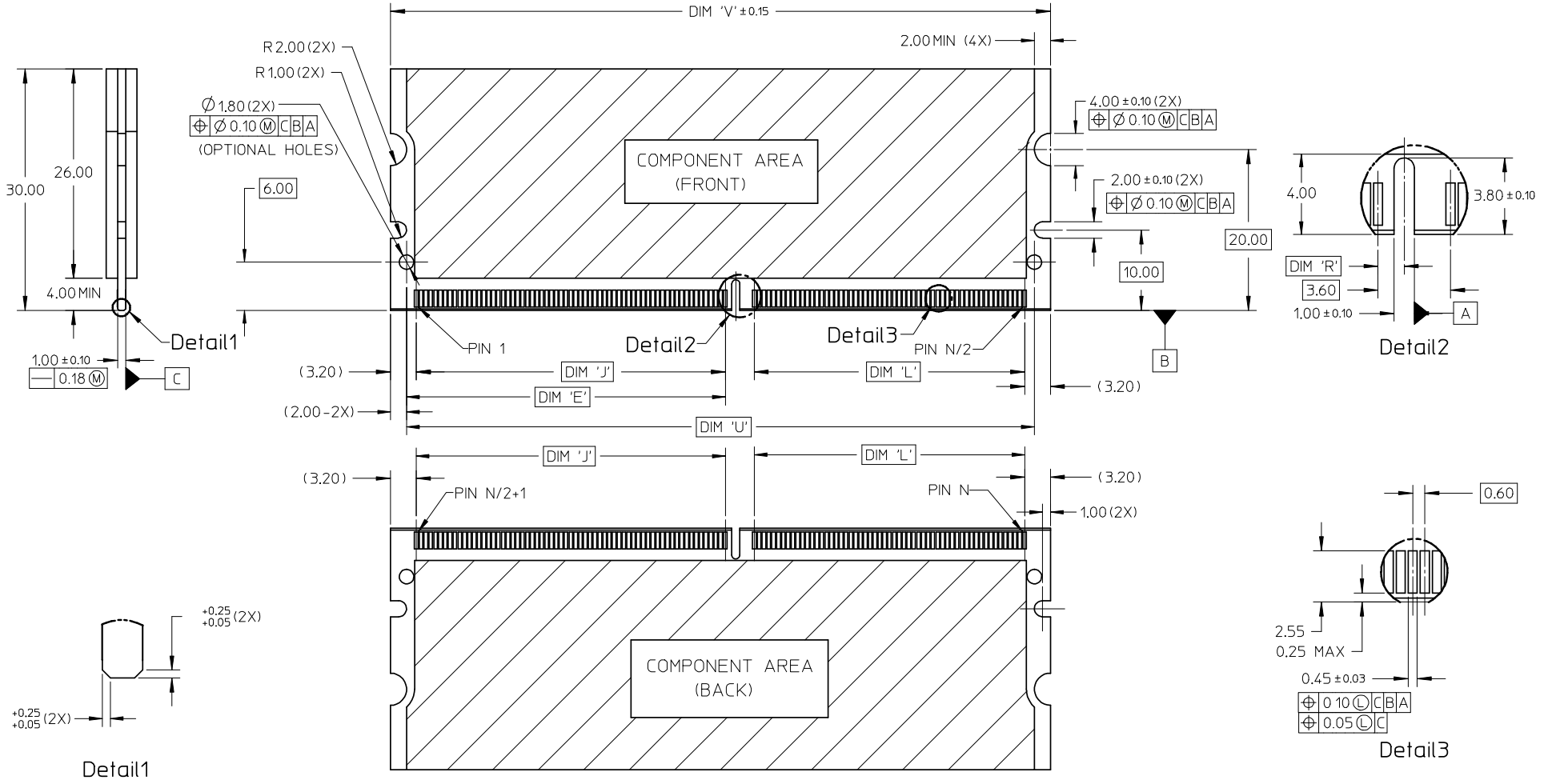
- 6) DATE CODE SHALL BE MARKED LEGIBLY AS SHOWN :YYDDD
7) PART NUMBER SHALL BE MARKED LEGIBLY AS SHOWN.
87918-XXXX(REFER TO TABLE)



| | | | | | | | | | | |
|--|--|-------------------------------|--|--------|----------------------------|------------------------|------------------------------|--|------------------------|--|
| ADD DDR3 OPTION IEC NO: S2008-1057 DRWN:CMTEO CHKD:CGTAN APPR:SHLENI | 2008/06/20 2008/06/20 2008/06/23 | QUALITY SYMBOLS ▽=0 ◻=0 | GENERAL TOLERANCES (UNLESS SPECIFIED) | | DIMENSION STYLE MM ONLY | | SCALE NTS | DESIGN UNITS METRIC | THIRD ANGLE PROJECTION | |
| | | | | mm | INCH | DRAWN BY EDMUND | DATE 2004/08/17 | TITLE MINI DIMM, 0.60MM PITCH 244/200 CKTS STANDARD R/A | | |
| | | | 4 PLACES | ± --- | ± --- | CHECKED BY SRRAMESH | DATE 2005/01/25 | | | |
| | | | 3 PLACES | ± --- | ± --- | APPROVED BY GGLEE | DATE 2005/01/25 | | | |
| | | | 2 PLACES | ± 0.13 | ± --- | | | | | |
| | | | 1 PLACE | ± 0.25 | ± --- | | | | | |
| | | | ANGULAR ± 1 ° | | MATERIAL NO. SEE TABLE | | MOLEX INCORPORATED | | | |
| | | | DRAFT WHERE APPLICABLE MUST REMAIN WITHIN DIMENSIONS | | SIZE A3 | | DOCUMENT NO. SD-87918-001 | SHEET NO. 1 OF 4 | | |

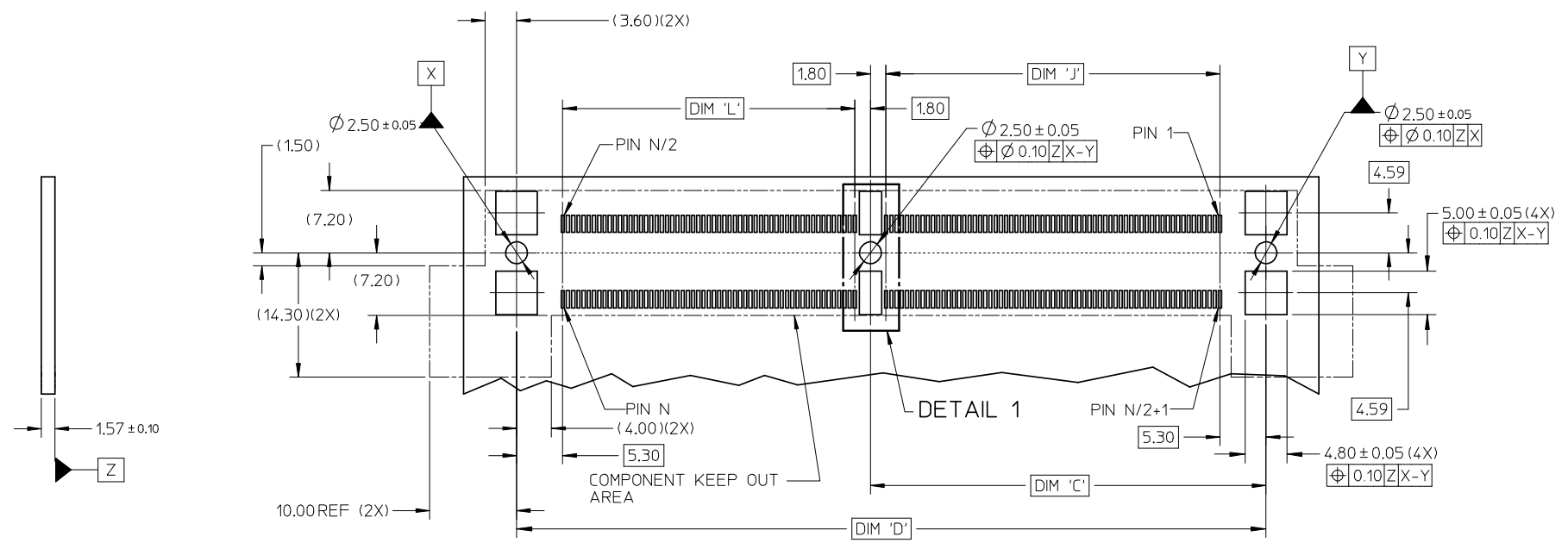
10 9 8 7 6 5 4 3 2 1

F
E
D
C
B
A

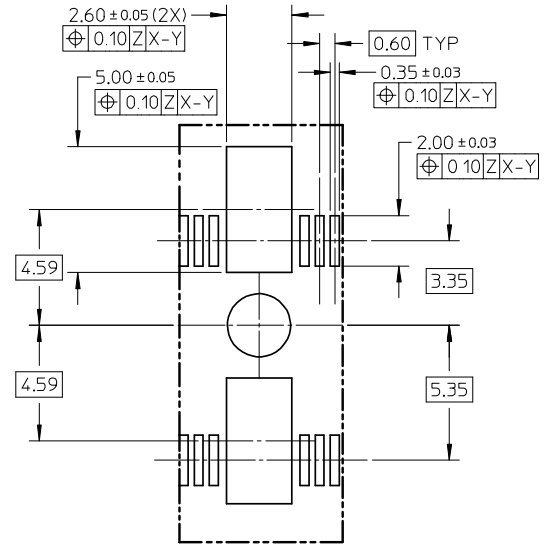


9 8 7 6 5 4 3 2 1

| | | | | | | | | | | |
|--|--|--------------------------------------|--|-------|-----------------------------------|------------------------|---|---|--|--|
| ADD DDR3 OPTION EC NO: S2008-1057 DRWN:CMTEO CHKD:CGTAN APPR:SHLENI | 2008/06/20 2008/06/20 2008/06/23 | QUALITY SYMBOLS ▽=0 ◻=0 | GENERAL TOLERANCES (UNLESS SPECIFIED) | | DIMENSION STYLE MM ONLY | SCALE NTS | DESIGN UNITS METRIC | THIRD ANGLE PROJECTION | | |
| | | | | mm | INCH | DRAWN BY EDMUND | DATE 2004/08/17 | TITLE MINI DIMM, 0.60MM PITCH 244/200 CKTS STANDARD R/A | | |
| | | | 4 PLACES | ± --- | ± --- | CHECKED BY SRRAMESH | DATE 2005/01/25 | MOLEX INCORPORATED DOCUMENT NO. SD-87918-001 | | |
| | | | 3 PLACES | ± --- | ± --- | APPROVED BY GGLEE | DATE 2005/01/25 | | | |
| 2 PLACES | ± 0.13 | ± --- | ANGULAR ± 1° | | SEE TABLE | | THIS DRAWING CONTAINS INFORMATION THAT IS PROPRIETARY TO MOLEX INCORPORATED AND SHOULD NOT BE USED WITHOUT WRITTEN PERMISSION | | | |
| 1 PLACE | ± 0.25 | ± --- | DRAFT WHERE APPLICABLE MUST REMAIN WITHIN DIMENSIONS | | SIZE A3 | | | | | |



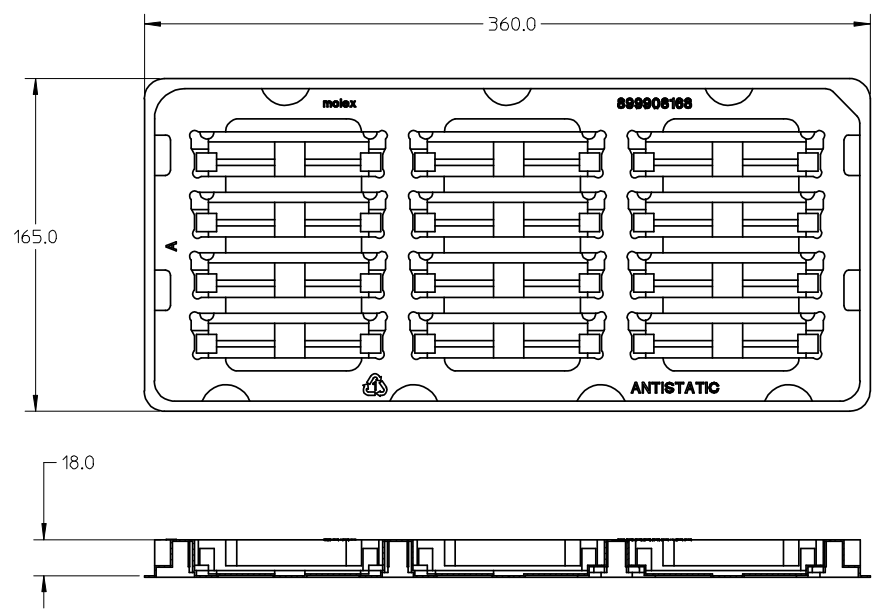
RECOMMENDED PCB LAYOUT



DETAIL 1

| | | | | | | |
|--|-----------------|--|-----------------|---|---|------------------------|
| ADD DDR3 OPTION EC NO: S2008-1057 DRWN:CMTEO 2008/06/20 CHKD:CGTAN 2008/06/20 APPR:SHLENI 2008/06/23 | QUALITY SYMBOLS | GENERAL TOLERANCES (UNLESS SPECIFIED) | DIMENSION STYLE | SCALE | DESIGN UNITS | THIRD ANGLE PROJECTION |
| | ▼ = 0 ◻ = 0 | mm INCH 4 PLACES ± --- ± --- 3 PLACES ± --- ± --- 2 PLACES ± 0.13 ± --- 1 PLACE ± 0.25 ± --- ANGULAR ± 1 ° | MM ONLY | NTS | METRIC | |
| | | | DRAWN BY | DATE | TITLE | |
| | | | CHECKED BY | DATE | MINI DIMM, 0.60MM PITCH 244/200 CKTS STANDARD R/A | |
| | | | APPROVED BY | DATE | MOLEX INCORPORATED | |
| | | | MATERIAL NO. | DOCUMENT NO. | SD-87918-001 | |
| | | DRAFT WHERE APPLICABLE MUST REMAIN WITHIN DIMENSIONS | SIZE | THIS DRAWING CONTAINS INFORMATION THAT IS PROPRIETARY TO MOLEX INCORPORATED AND SHOULD NOT BE USED WITHOUT WRITTEN PERMISSION | | |
| | | | A3 | SHEET NO. 3 OF 4 | | |

| CKT_SIZE 'N' | PART NUMBER | MODULE CARD | VOLTAGE KEY | DIM 'R' | DIM 'E' | DIM 'J' | DIM 'L' | DIM 'A' | DIM 'S' | DIM 'T' | DIM 'U' | DIM 'V' | DIM 'C' | DIM 'D' | DIM 'B' |
|-----------------|-------------|-------------|-------------|---------|---------|---------|---------|---------|---------|---------|---------|---------|---------|---------|---------|
| 244 | 87918-0001 | DDR2 | 1.8 V | 1.30 | 39.60 | 38.40 | 33.60 | 93.0 | 96.0 | 106.2 | 78.00 | 82.00 | 45.50 | 86.20 | 75.60 |
| | 87918-0301 | DDR3 | 1.5 V | 2.30 | | | | | | | | | | | |
| 200 | 87918-0201 | DDR2 | 1.8 V | 1.30 | 24.60 | 23.40 | 35.40 | 79.8 | 82.8 | 93.0 | 64.80 | 68.80 | 30.50 | 73.00 | 62.40 |
| | 87918-0202 | DDR | 2.5 V | 2.30 | | | | | | | | | | | |



VIEW OF PACKAGING TRAY

NOTES:
1. QTY OF CAVITY: 3 X 4 = 12 PCS

| | | | | | | | | |
|--|--------------------|---------------------------|--|--|--|--------------|------------------------|--|
| ADD DDR3 OPTION EC NO: S2008-1057 DRWN:CMTEO 2008/06/20 CHKD:CGTAN 2008/06/20 APPR:SHLENI 2008/06/23 | DESCRIPTION REV | QUALITY SYMBOLS | GENERAL TOLERANCES (UNLESS SPECIFIED) | DIMENSION STYLE | SCALE | DESIGN UNITS | THIRD ANGLE PROJECTION | |
| | | $\nabla=0$ $\square=0$ | mm INCH 4 PLACES ± --- ± --- 3 PLACES ± --- ± --- 2 PLACES ± 0.13 ± --- 1 PLACE ± 0.25 ± --- ANGULAR ± 1 ° | MM ONLY | NTS | METRIC | | |
| | | | DRAFT WHERE APPLICABLE MUST REMAIN WITHIN DIMENSIONS | DRAWN BY: EDMUND DATE: 2004/08/17 CHECKED BY: SRRAMESH DATE: 2005/01/25 APPROVED BY: GGLEE DATE: 2005/01/25 | TITLE: MINI DIMM, 0.60MM PITCH 244/200 CKTS STANDARD R/A | | | |
| | | B2 | | SEE TABLE | MOLEX INCORPORATED SD-87918-001 | | SHEET NO. 4 OF 4 | |