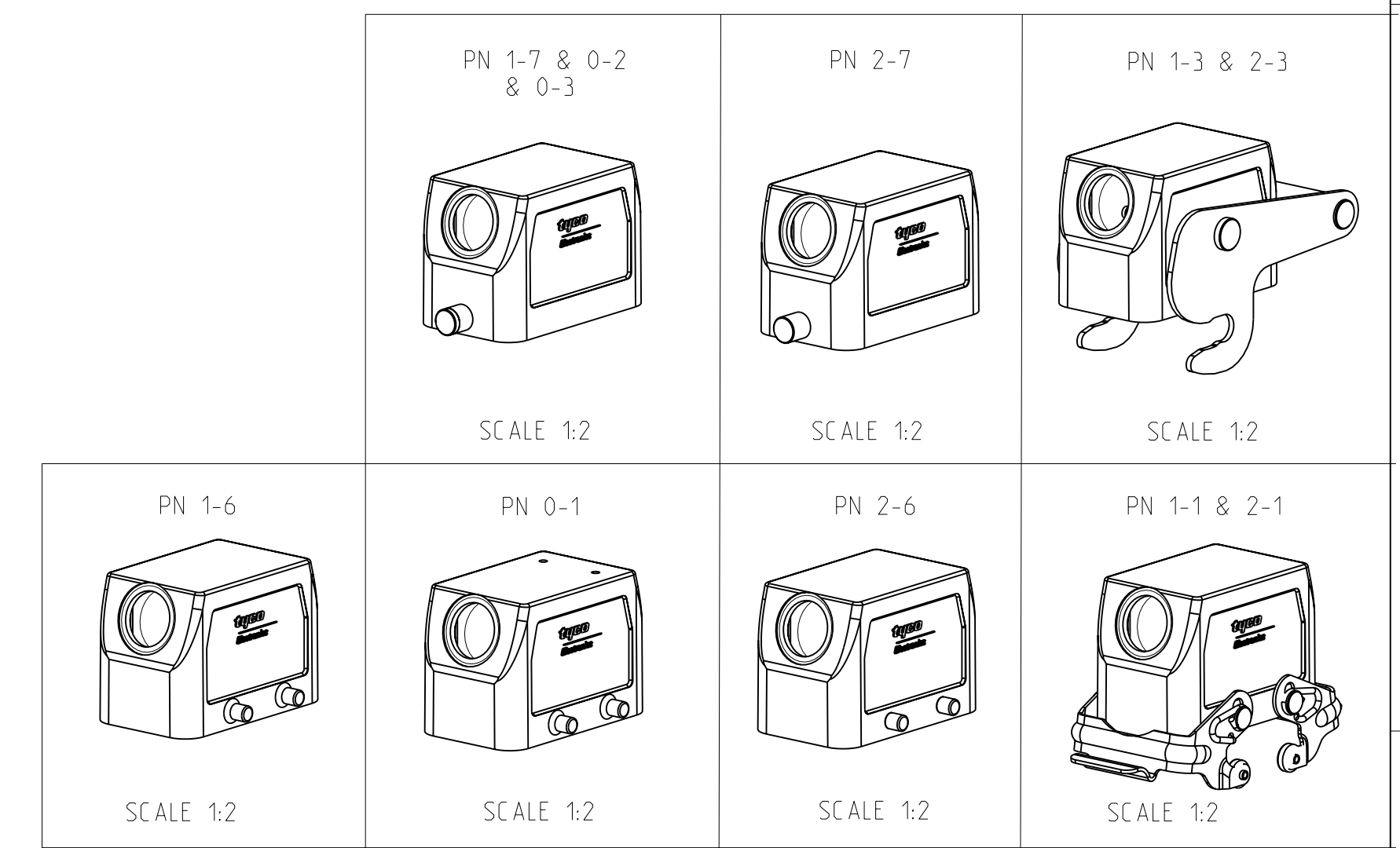


LOC	DIST	REV	DESCRIPTION	DATE	DWN	APVD
-	-	A6	Released as per ECR-07-030422	17.12.07	SP	TS

- NOTES.
- 1 Material:Housing-Aluminium Diecasting Alloy
  - 2 Surface-Powder Varnish Grey  
-Aluminium Oxide +  
Varnish Black
  - 3 Varnish on the inside not necessary
  - 4 Packaging  
Quantity 5 Pieces in a box



QTY	DESCRIPTION	MATERIAL	SURFACE	COLOR	ITEM NO	NOTES
1	ZB-Central clip	Stainless steel	Blank	-	11	
1	ZB-Central clip	Steel	Zinc plated	Blue	10	
2	LB- Clip bolt	Stainless steel	Blank	-	9	
2	LB- Clip bolt	Steel	Zinc plated	Blue	8	
2	VS-Side clip	Stainless steel	Blank	-	7	
2	VS-Side clip	Steel	Zinc plated	Blue	6	
4	VS- Clip bolt	Stainless steel	Blank	-	5	
1	HB- Hood	Aluminium	-	No varnish	4	
1	HB- Hood	Aluminium	-	Grey	3	Identification plate
1	HB- Hood	Aluminium	Aluminium oxide	Black	2	
1	HB- Hood	Aluminium	-	Grey	1	

DIMENSIONS: mm  
 TOLERANCES UNLESS OTHERWISE SPECIFIED:  
 0 TO 100 mm: ±0.15 mm  
 100 TO 200 mm: ±0.2 mm  
 200 TO 500 mm: ±0.3 mm  
 500 TO 1000 mm: ±0.4 mm  
 ANGLES: ±0.5°  
 FINISH: -

DWN: Schneider 19.05.00  
 CHK: Schweiher 19.05.00  
 APVD: -  
 NAME: Hood  
 PRODUCT SPEC: HB.10.STS.1.16.G  
 APPLICATION SPEC: -  
 WEIGHT: -  
 CUSTOMER DRAW ING: -

Tyco Electronics AMP, GmbH  
 0-53819, Neunkirchen, Germany  
 SIZE: A | 00779 | C=1102261  
 SCALE: 1:1 SHEET: 1 OF 1 REV: A6