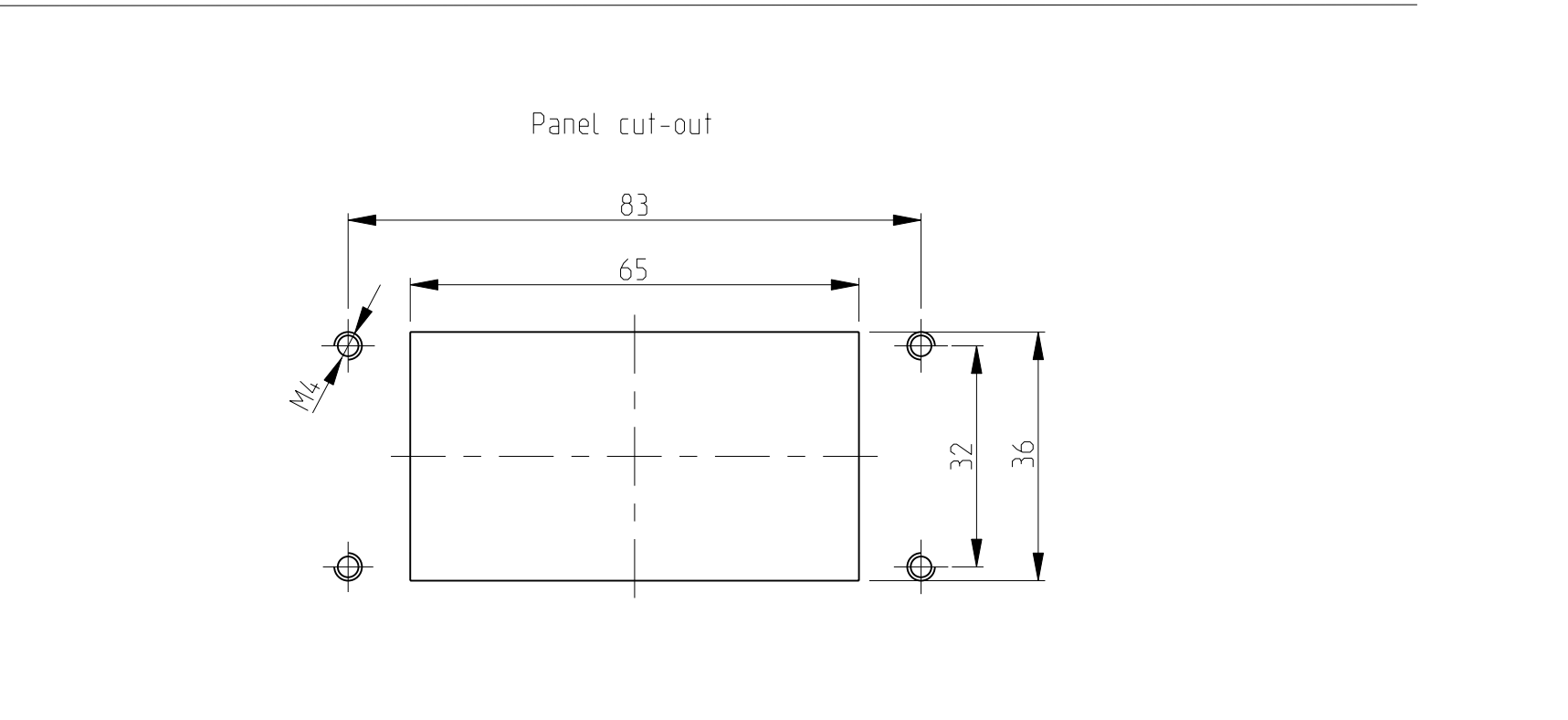
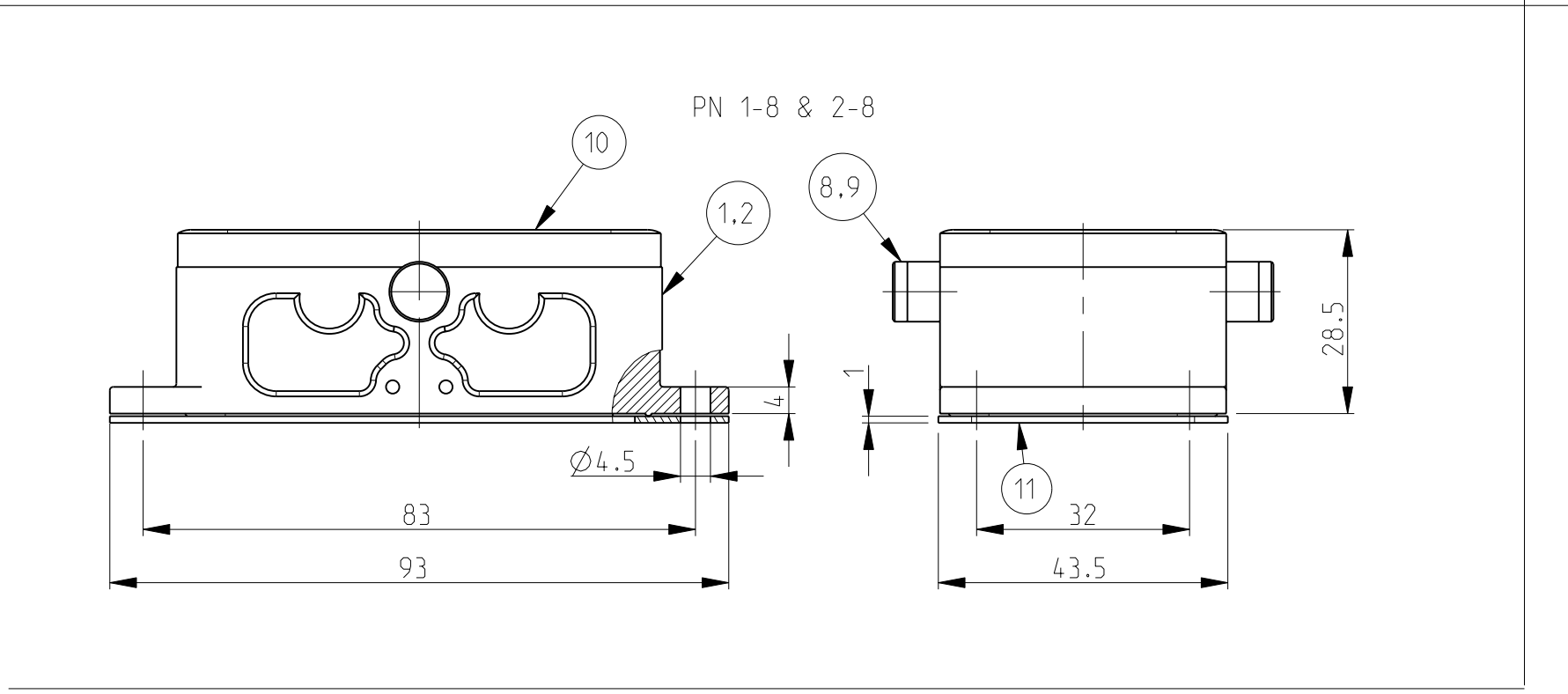
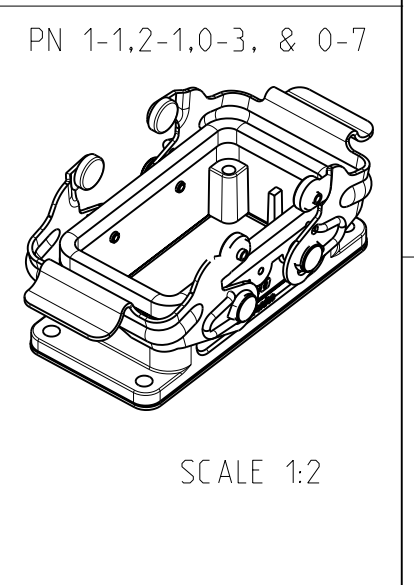
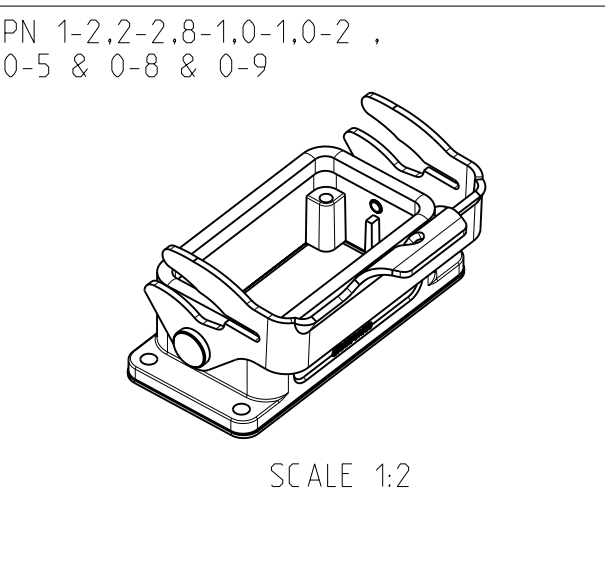
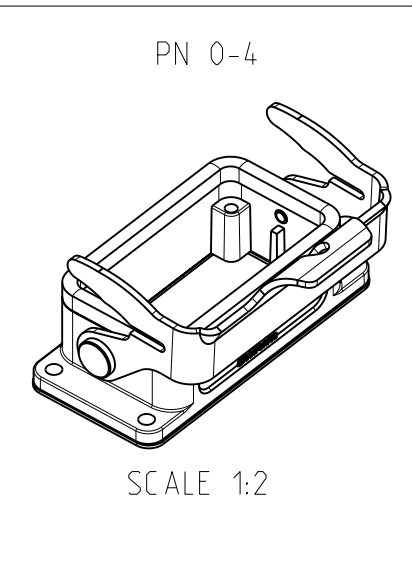
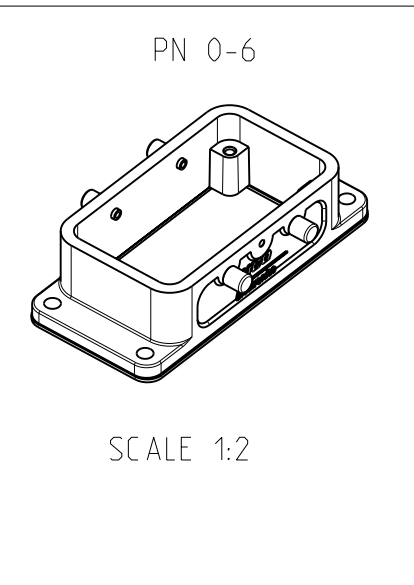
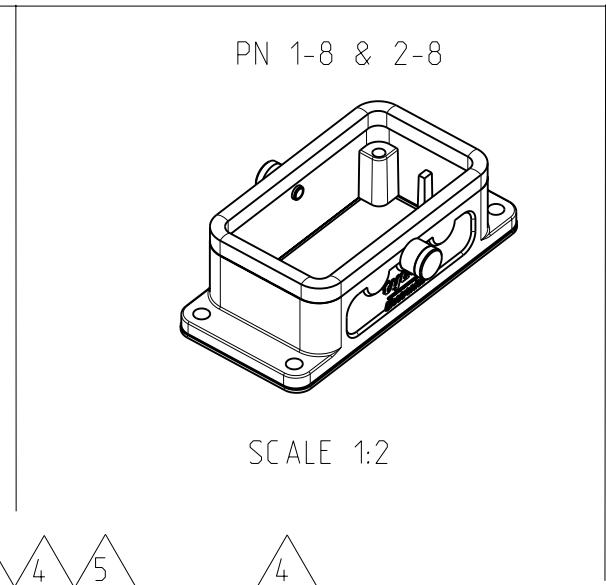
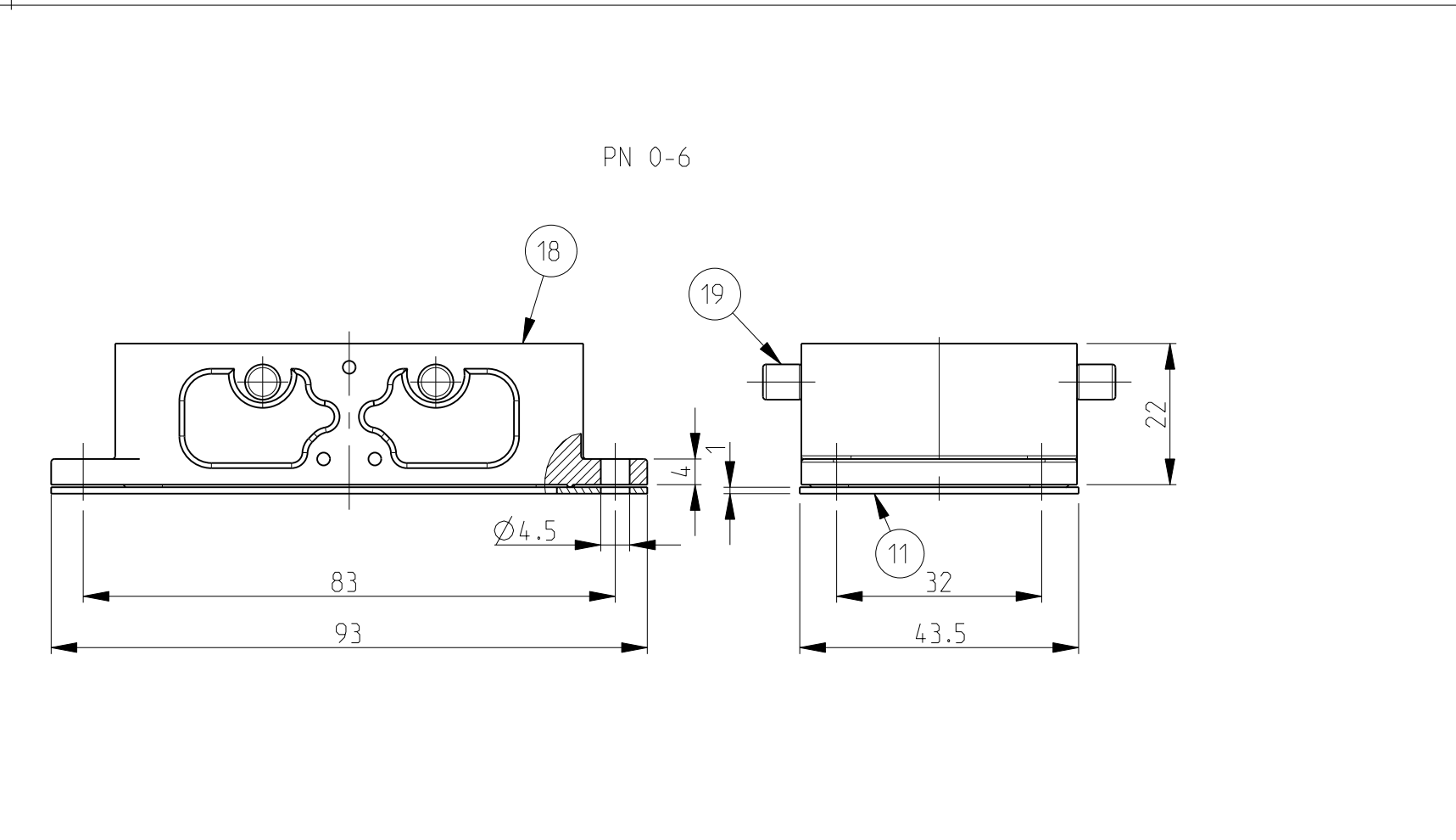
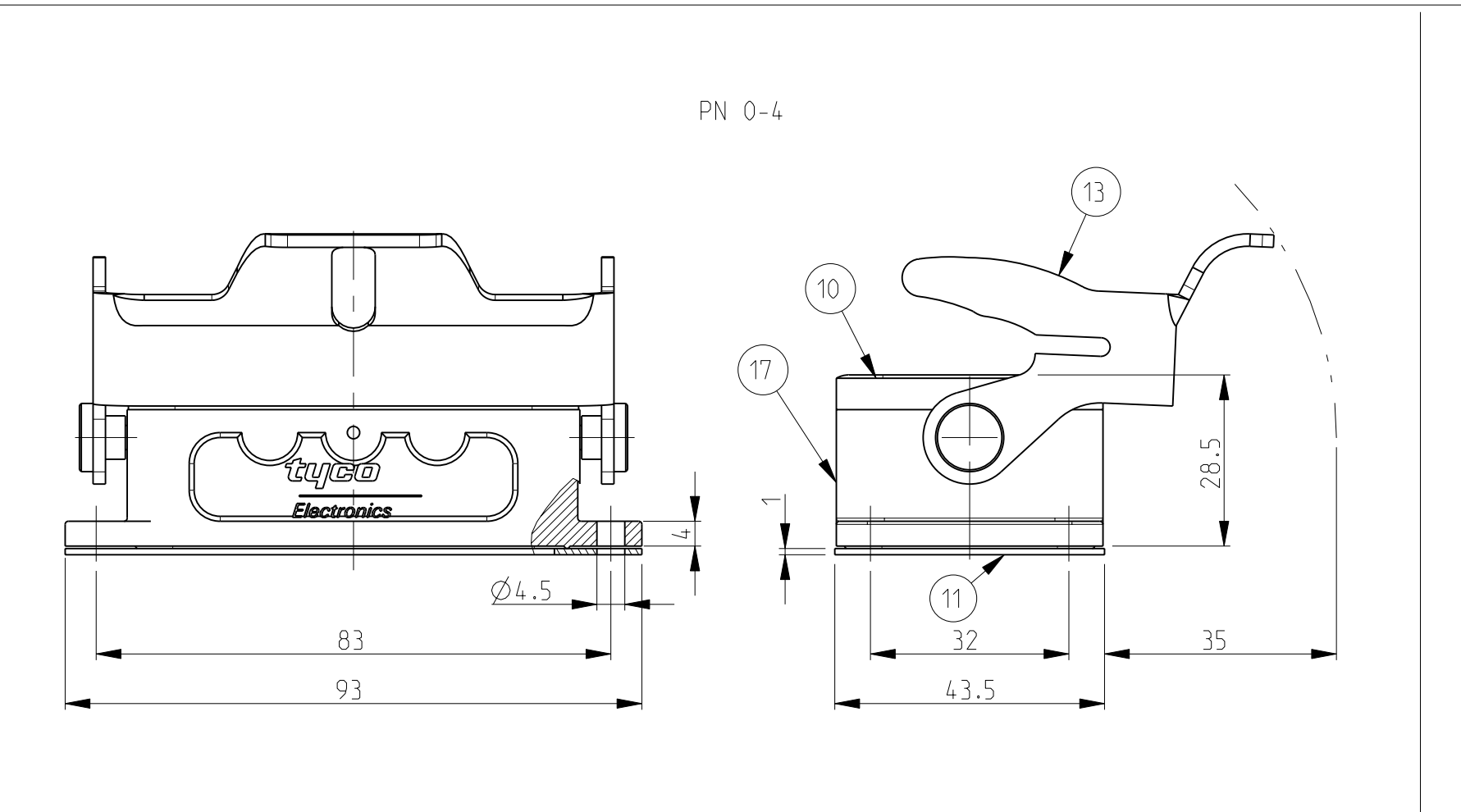
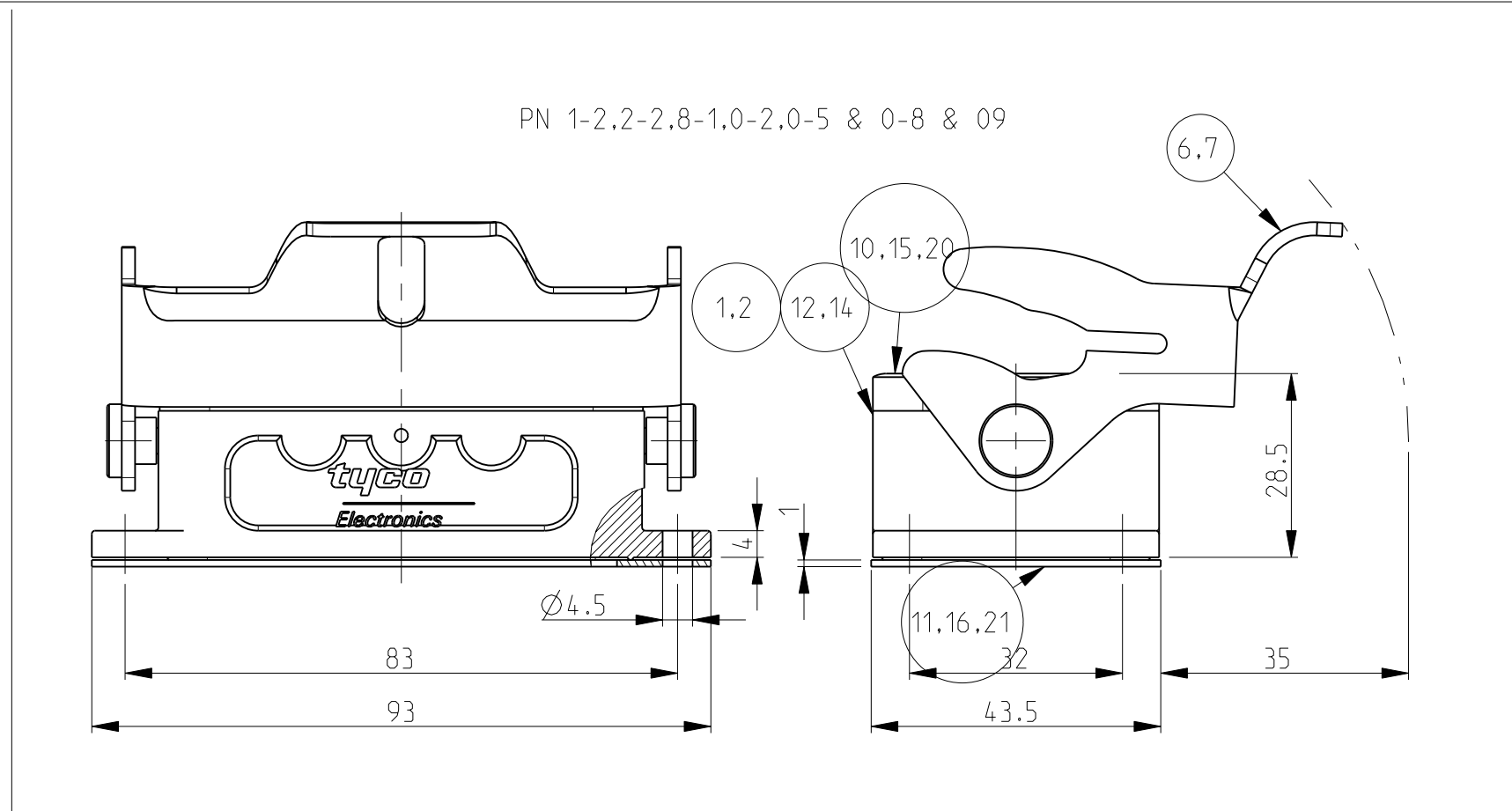
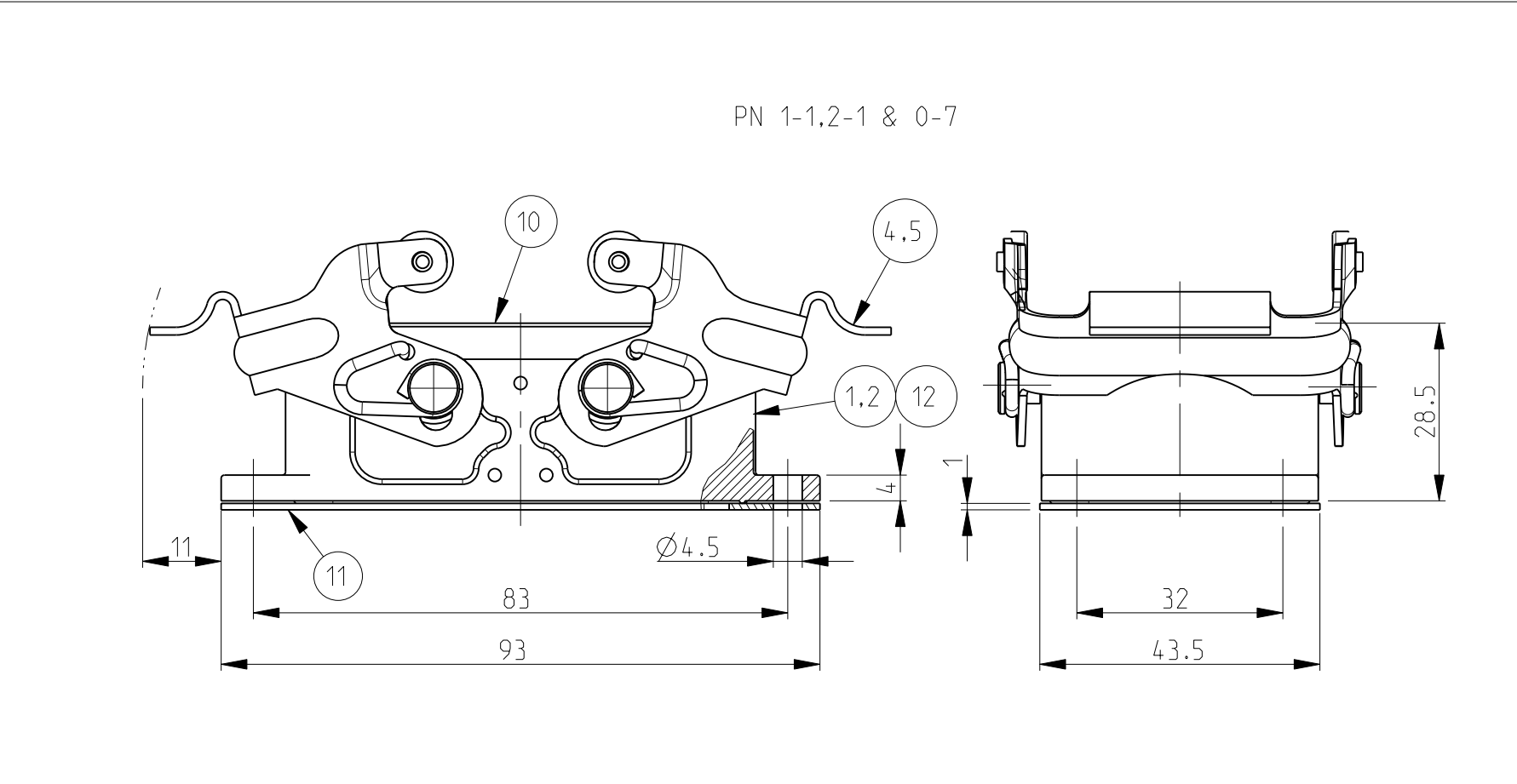


- 1 Material: Housing: Aluminium Diecasting Alloy
Seals: Neoprene
- 2 Varnish on the inside not necessary
- 3 Packaging quantity 5 pieces in a box
- 4 Special design
- 5 Special packaging 50 pieces



QTY	DESCRIPTION	MATERIAL	SURFACE	COLOR	ITEM NO	NOTES
1	Flange seal				21	
1	Profile seal				20	
4	Clip bolt-VS	Steel	Zinc plated	Blue	19	
1	Surface mounted housing bottom entry HB	Aluminium		Grey	18	
1	Surface mounted housing bottom entry HB	Aluminium		Grey	17	Grey 120-160 µm
1	Flange seal	Neoprene			16	Conductive
1	Profile seal	Neoprene			15	Conductive
1	Surface mounted housing bottom entry HB	Aluminium		Without varnish	14	
1	Side clip-LB	Steel	Zinc plated	Blue	13	
1	Surface mounted housing bottom entry HB	Aluminium		Grey	12	Without Logo
1	Flange seal	Neoprene		Black	11	
1	Profile seal	Neoprene		Black	10	
2	Clip bolt-ZB	Stainless steel			9	
2	Clip bolt-ZB	Steel	Zinc plated	Blue	8	
1	Side clip-LB	Stainless steel			7	
1	Side clip-LB	Steel	Zinc plated	Blue	6	
2	Locking clip-VS	Stainless steel			5	
2	Locking clip-VS	Steel	Zinc plated	Blue	4	
1	Surface mounted housing bottom entry HB	Aluminium		Without varnish	3	
1	Surface mounted housing bottom entry HB-K	Aluminium	Aluminium oxide	Black	2	
1	Surface mounted housing bottom entry HB	Aluminium		Grey	1	



DIMENSIONS: mm		TOLERANCES UNLESS OTHERWISE SPECIFIED:		DWN: Schwieger 23.07.1997		Tyco Electronics AMP, GmbH	
MATERIAL		FINISH		CHK: Kramer 23.06.1998		Tyco Electronics AMP, GmbH D-53819, Neunkirchen, Germany	
PRODUCT SPEC		APPLICATION SPEC		NAME		Surface Mounted Housing Bottom Entry HB.10	
WEIGHT		SCALE		SHEET		OF	
CUSTOMER DRAW ING		SCALE 1:1		SHEET		OF	