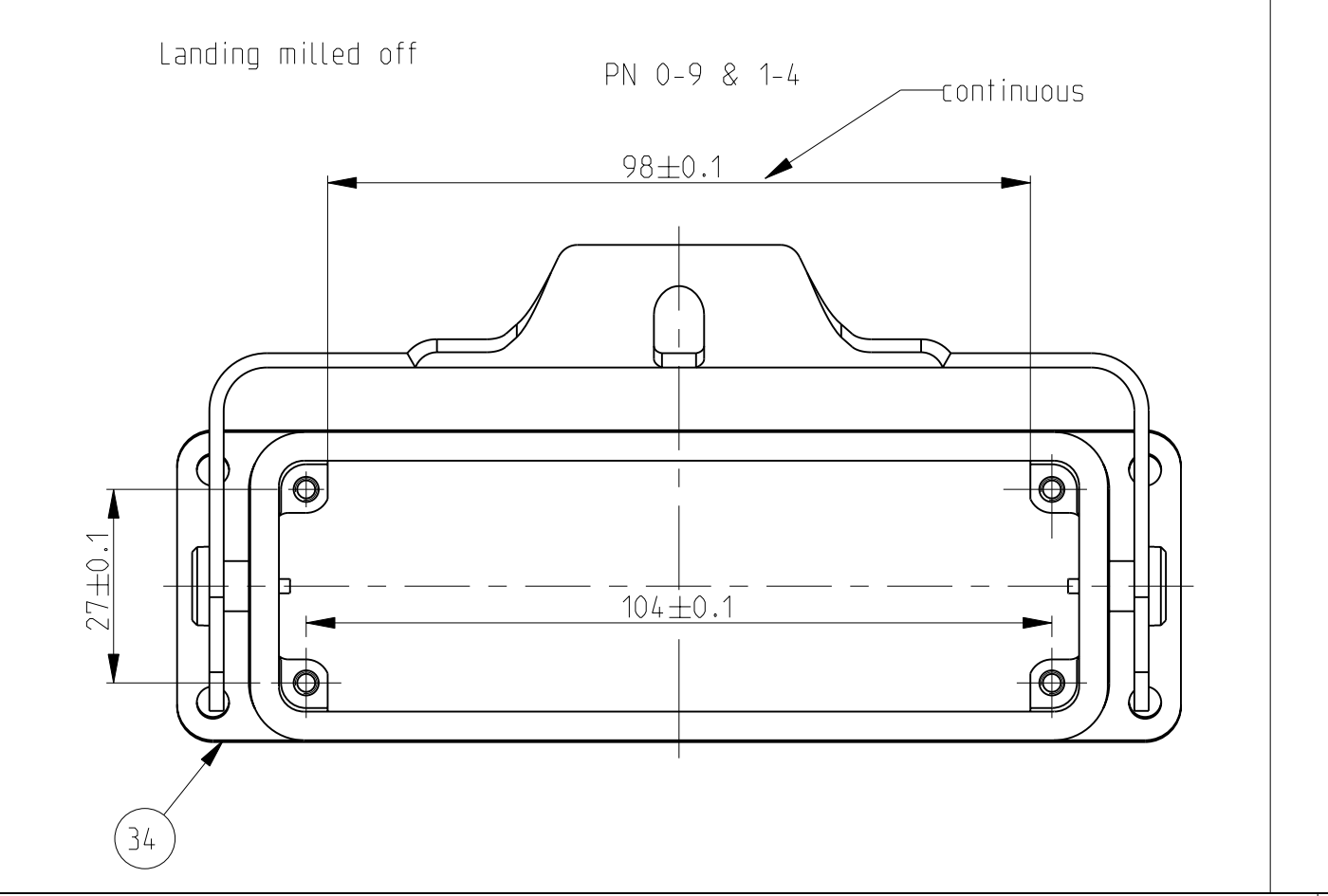
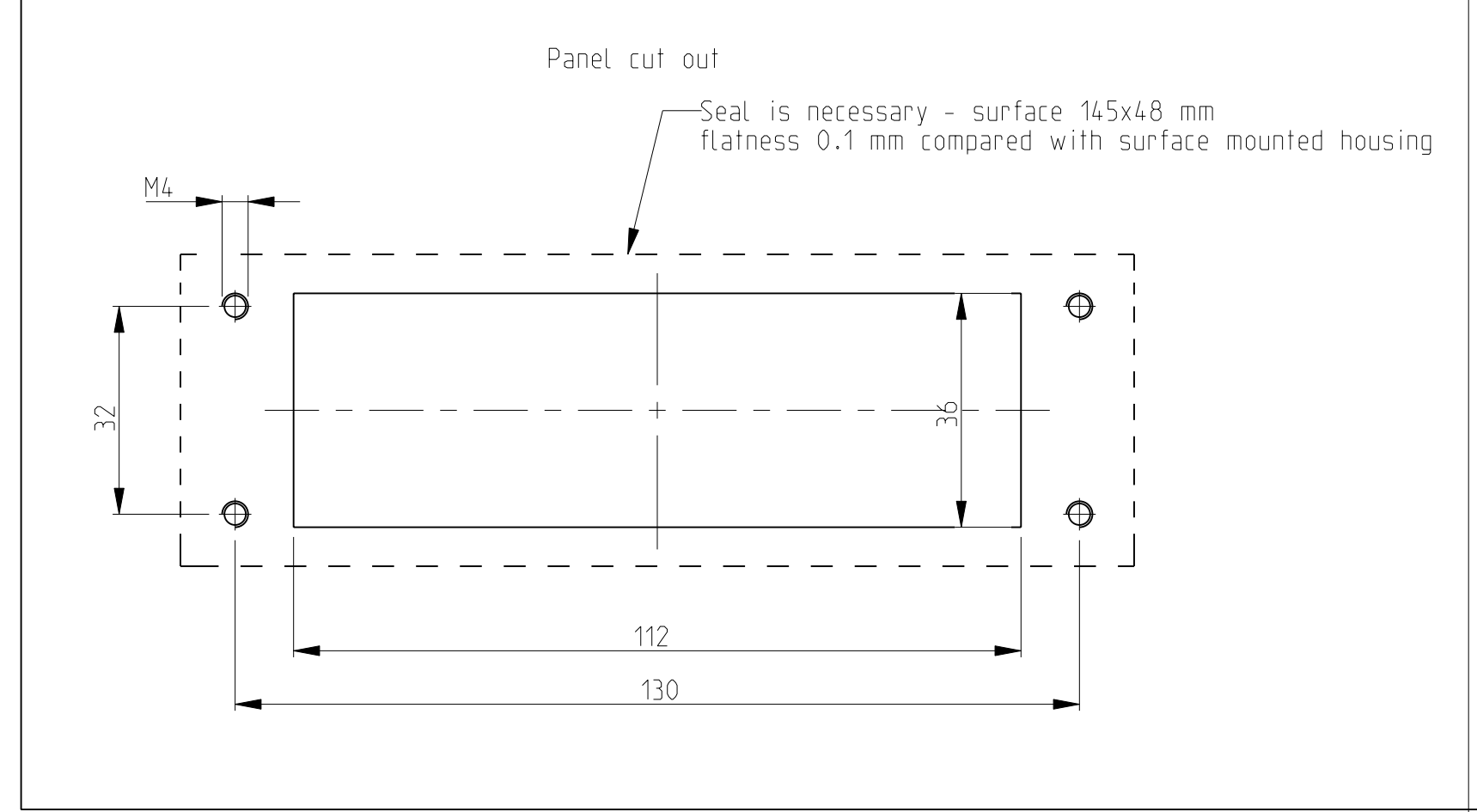
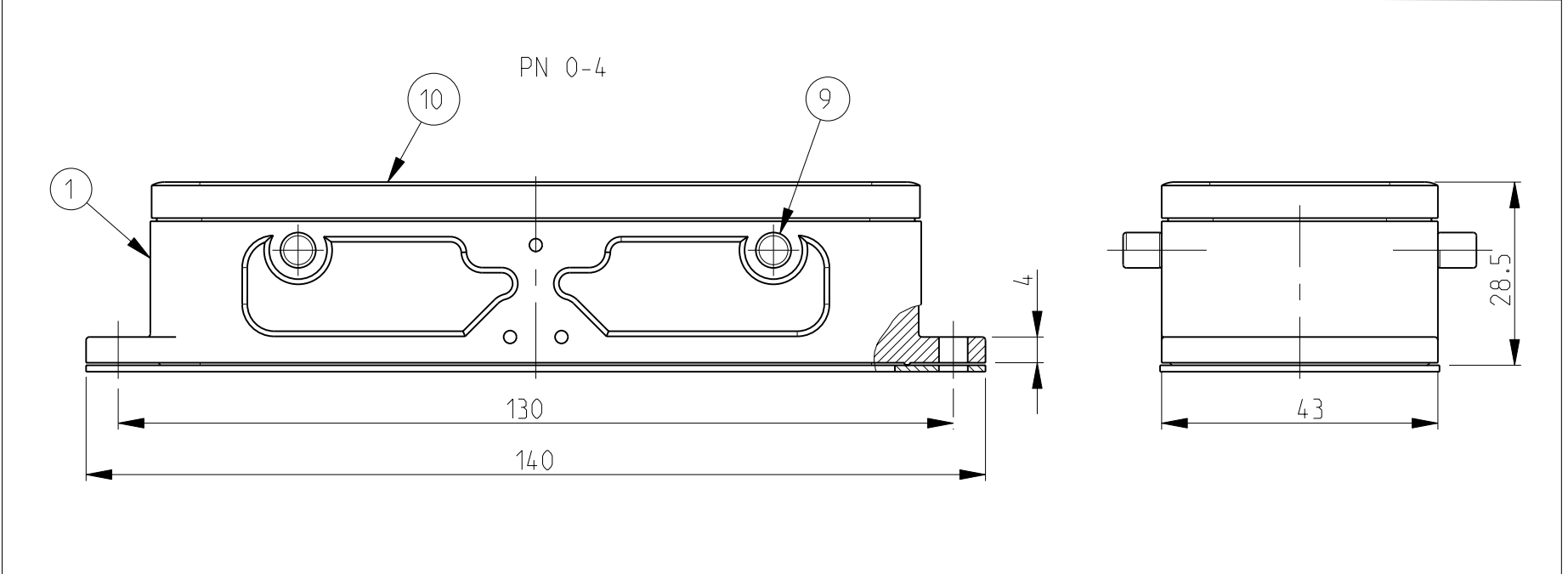
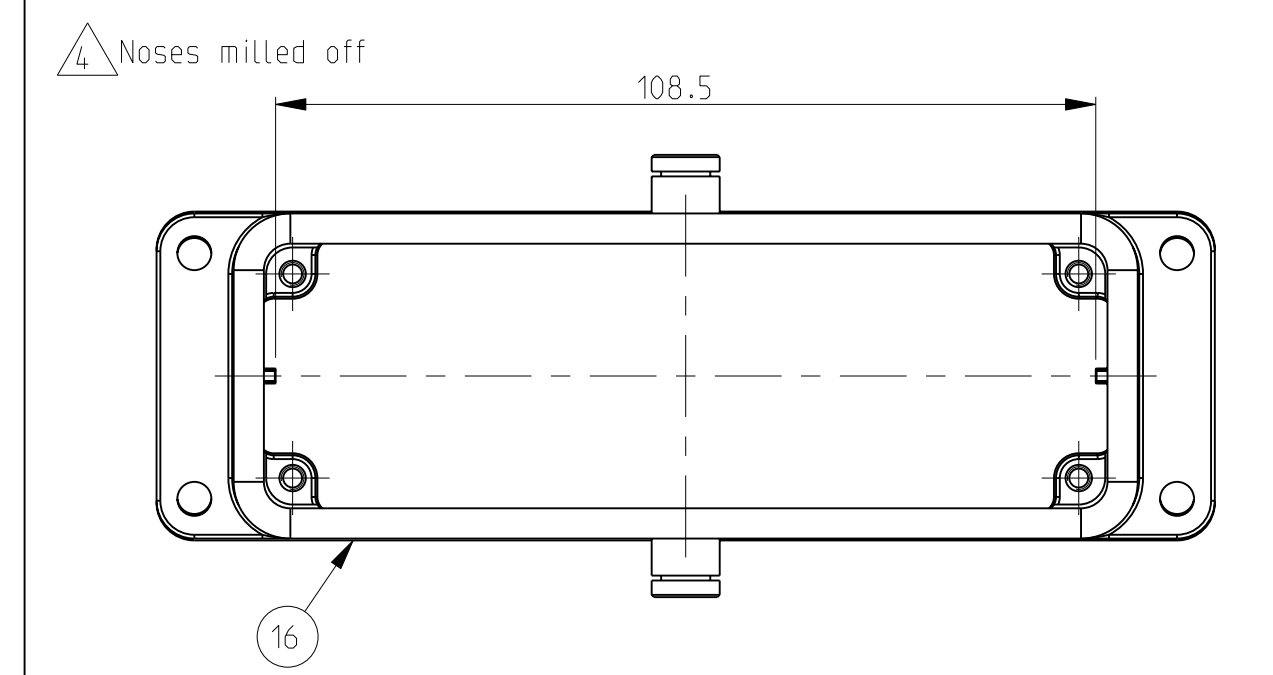
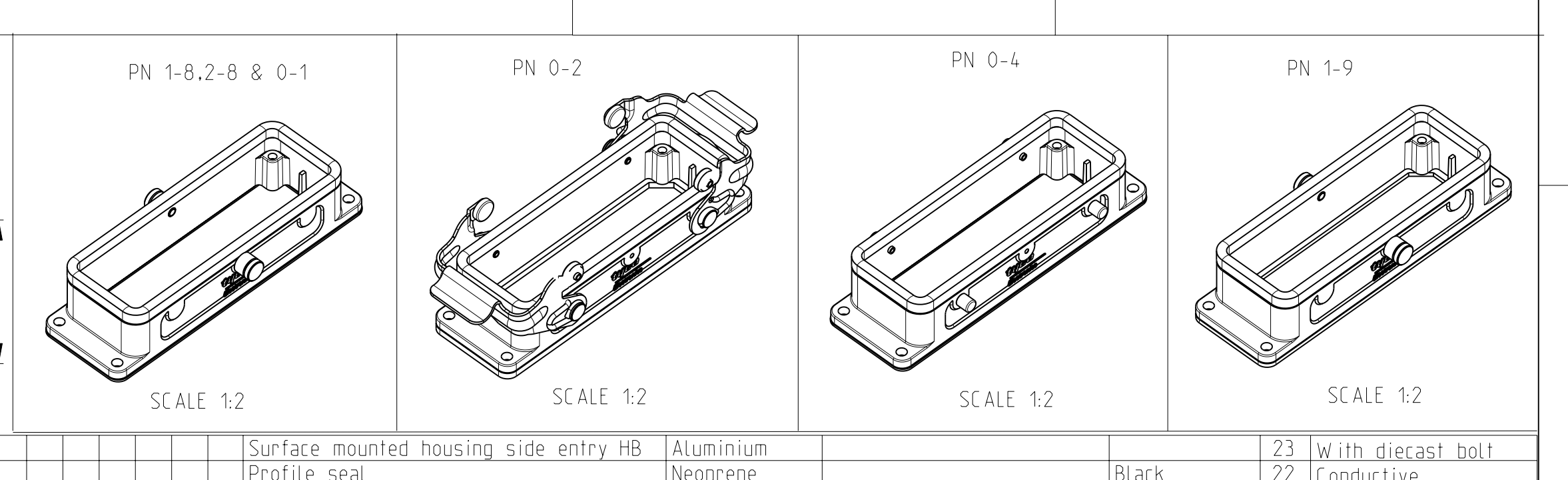
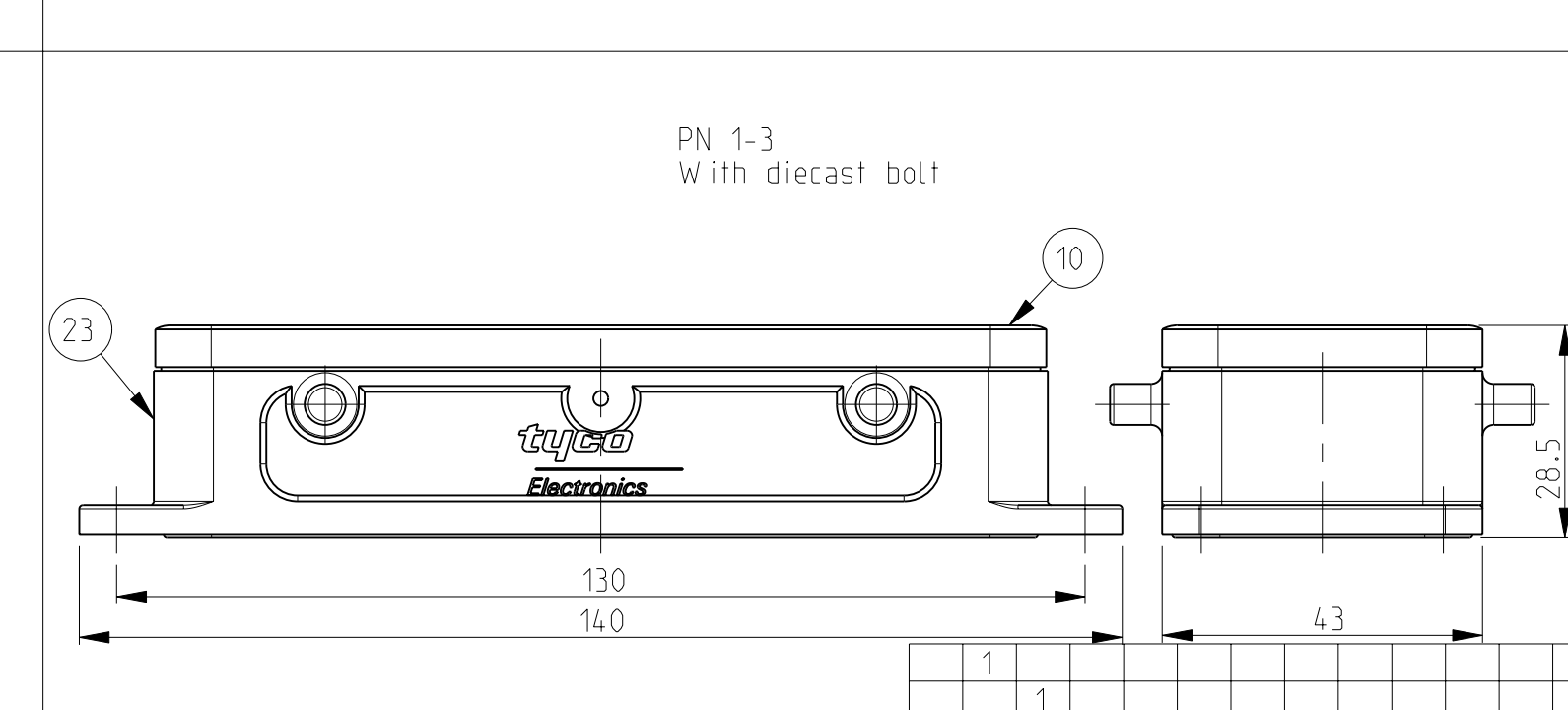
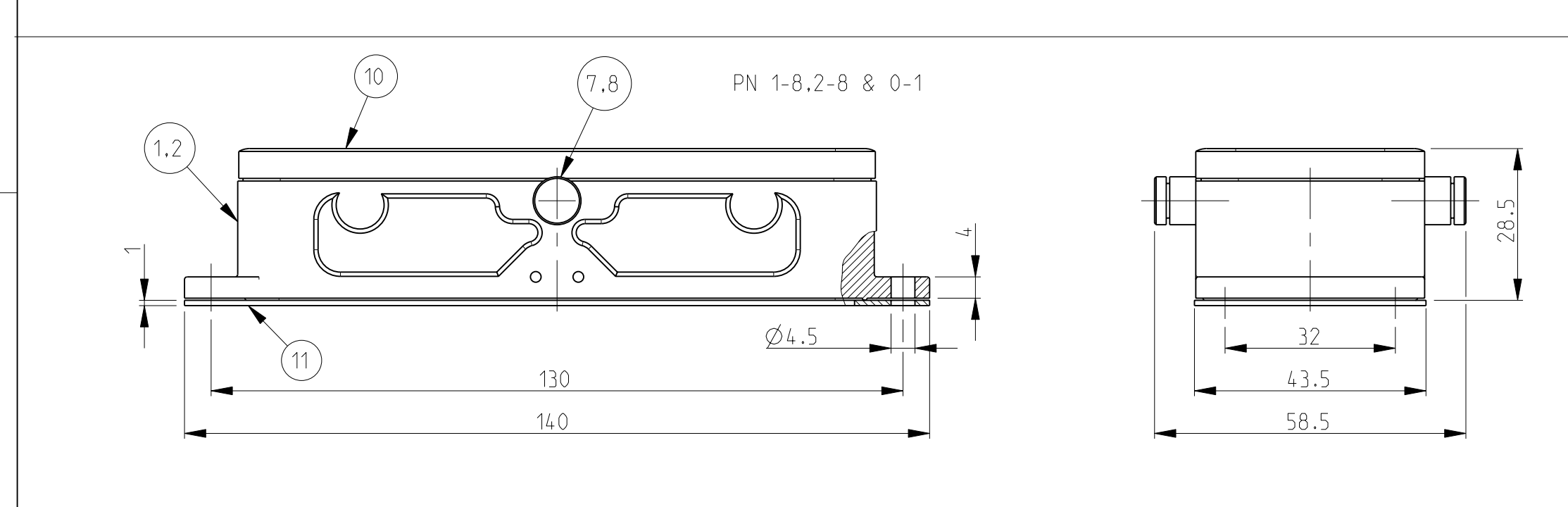
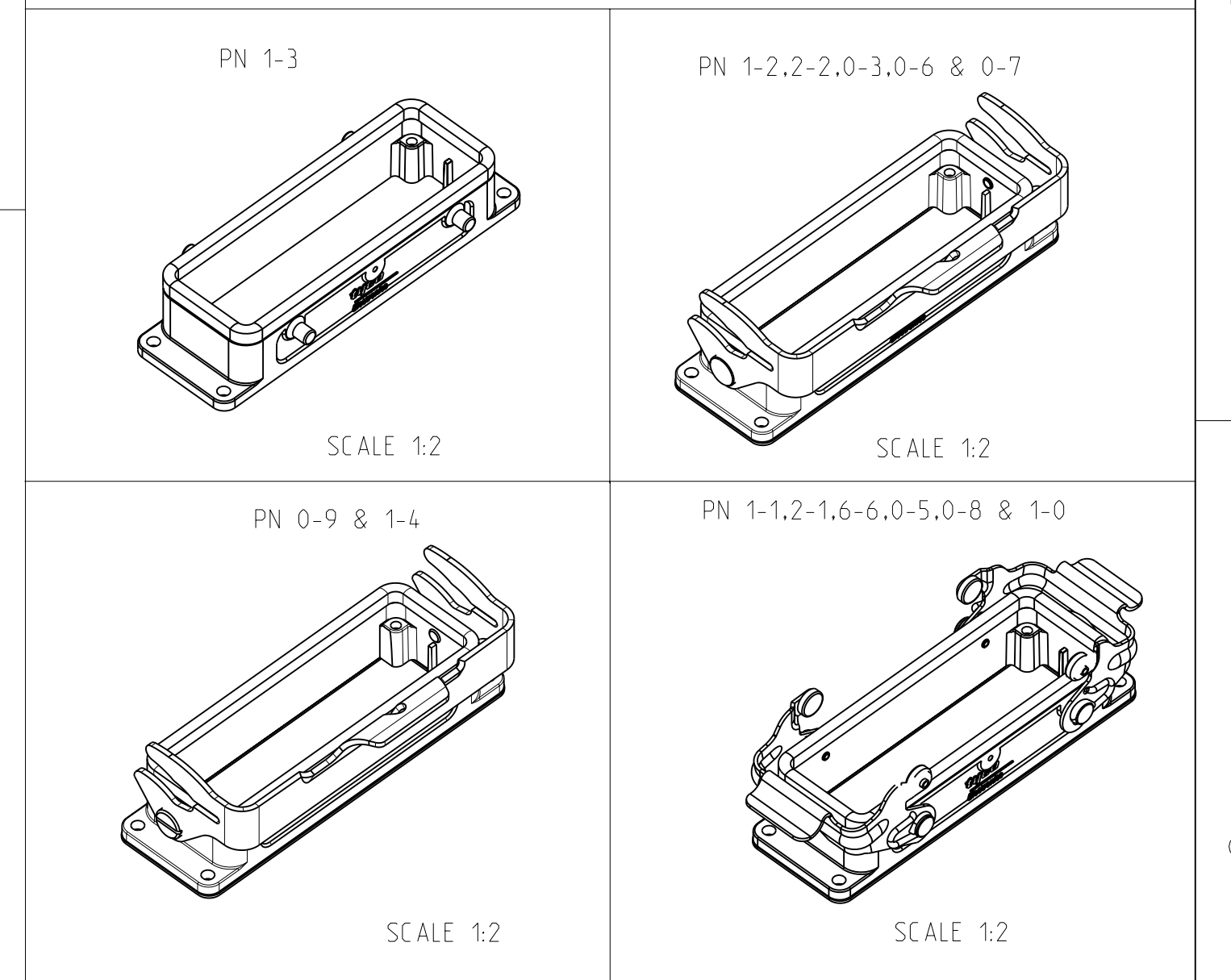


LOC		DIST		REVISIONS			
A	I	P	LTR	DESCRIPTION	DATE	DWN	APVD
B11	ECR - 001736				17SEP2009	GW	ST

NOTES

- Material : Housing : aluminium die casting alloy
Seals : Neoprene : Viton
- Surface : Varnish - Grey
- Aluminium oxide
- Varnish black
- Varnish on the inside is not necessary
- Packaging
Quantity 5 pieces in a box



1-4	1-3	1-0	6-0	9-1	9-0	7-0	6-0	5-0	4-0	3-0	2-0	12-8	1-8	2-2	1-1	1-1	DESCRIPTION	MATERIAL	SURFACE	COLOR	ITEM NO	NOTES
																	Surface mounted housing side entry HB	Aluminium		Black	23	With diecast bolt
																	Profile seal	Neoprene		Black	22	Conductive
																	Flange seal	Neoprene		Black	21	Conductive
																	Surface mounted housing side entry HB	Aluminium	Chromit AL TCP passivation	Black RAL9005	20	
																	Surface mounted housing side entry HB	Aluminium	Neutral	Black	19	
																	Flange seal	Neoprene		Black	18	2 mm thick
																	Surface mounted housing side entry HB	Aluminium	Grey RAL7001	Black	17	Noses milled off
																	Surface mounted housing side entry HB	Aluminium	Grey	Black	16	Without TE indication
																	Surface mounted housing side entry HB-K	Aluminium	Aluminium oxide	Blank	15	
																	Surface mounted housing side entry HB	Aluminium	Grey RAL7001	Black	14	Elecon-Logo
																	Flanged seal	Viton		Black	13	
																	Profile seal	Viton		Light grey	12	3 mm thick
																	Flange seal	Neoprene		Black	11	1 mm thick
																	Profile seal	Neoprene		Black	10	
																	VS-Clip bolt	Steel	Zinc plated	Blue	9	
																	ZB-Clip bolt	Stainless steel		Blank	8	
																	ZB-Clip bolt	Steel	Zinc plated	Blue	7	
																	LB-Side clip	Stainless steel		Blank	6	
																	LB-Side clip	Steel	Zinc plated	Blue	5	
																	VS-Locking clip	Stainless steel		Blank	4	
																	VS-Locking clip	Steel	Zinc plated	Blue	3	
																	Surface mounted housing side entry HB-K	Aluminium	Aluminium oxide	Black RAL9005	2	
																	Surface mounted housing side entry HB	Aluminium		Grey RAL7001	1	

DIMENSIONS: mm		TOLERANCES UNLESS SPECIFIED:		DWN: 23.071997		Tyco Electronics AMP GmbH	
MATERIAL: FINISH		0 / 1 / 2 / 3 / 4 / 5 / 6 / 7 / 8 / 9 / 10 / 11 / 12 / 13 / 14 / 15 / 16 / 17 / 18 / 19 / 20 / 21 / 22 / 23 / 24 / 25 / 26 / 27 / 28 / 29 / 30 / 31 / 32 / 33 / 34 / 35 / 36 / 37 / 38 / 39 / 40 / 41 / 42 / 43 / 44 / 45 / 46 / 47 / 48 / 49 / 50 / 51 / 52 / 53 / 54 / 55 / 56 / 57 / 58 / 59 / 60 / 61 / 62 / 63 / 64 / 65 / 66 / 67 / 68 / 69 / 70 / 71 / 72 / 73 / 74 / 75 / 76 / 77 / 78 / 79 / 80 / 81 / 82 / 83 / 84 / 85 / 86 / 87 / 88 / 89 / 90 / 91 / 92 / 93 / 94 / 95 / 96 / 97 / 98 / 99 / 100		CHK: 26.06.1998		Tyco Electronics AMP GmbH	
				APVD: -		0-53819, Neunkirchen, Germany	
				PRODUCT SPEC: 108-74001/74003		NAME: Surface mounted bottom entry assy HB.24	
				APPLICATION SPEC: 114-74001/74004/74005		SIZE: A 00779	
				WEIGHT: -		DRAWING NO: C=1102291	
				CUSTOMER DRAWING		SCALE: 5:1 SHEET: 1 OF 1	