

6

5

4

3

2

1

MATERIAL AND FINISH:

Insulator: Polycarbonate, UL-94V-0 rated

Contacts: IEC C14, 70°C: Brass, Nickel plated

IEC C16, 120°C: Bronze, Nickel plated

ELECTRICAL SPECIFICATIONS:

Current rating: 10 A

Voltage rating: 250 VAC

ORDERING CODE:

42R04- $\frac{3}{1}$ $\frac{1}{2}$

1) ELECTRICAL CIRCUIT CONFIGURATION

1 = IEC C14, 10A 250V 70°C
2+GROUND



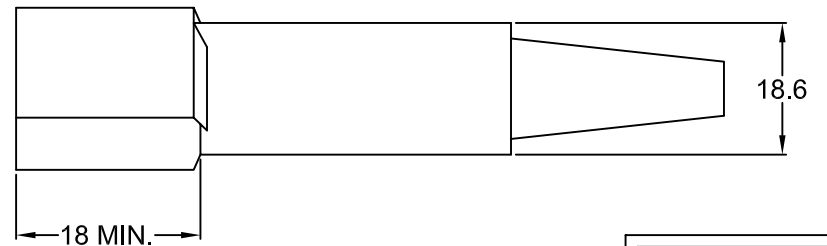
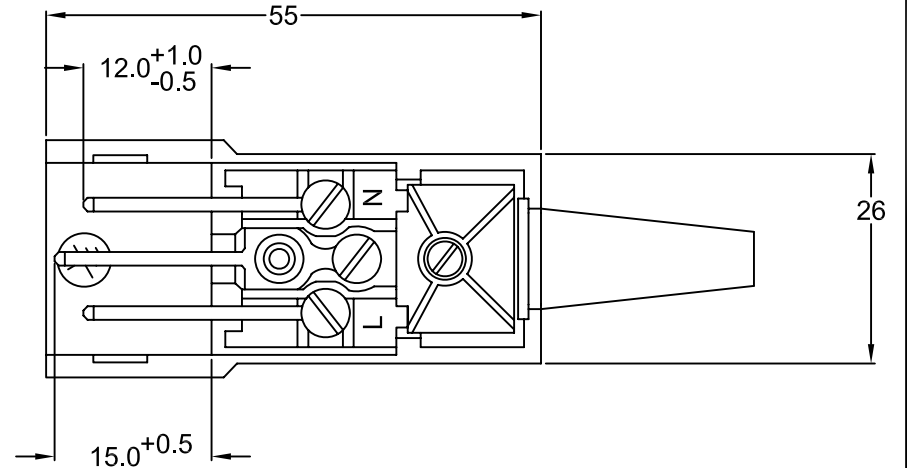
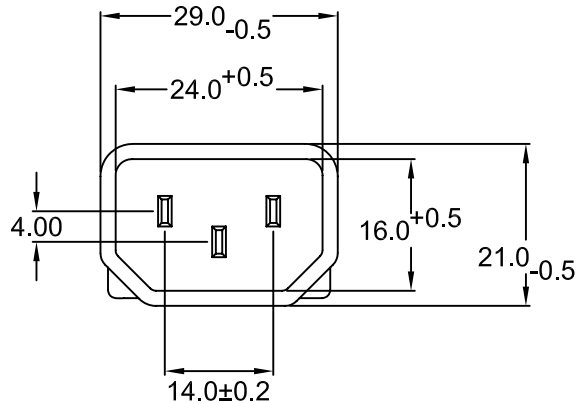
2 = IEC C16, 10A 250V 120°C
2+GROUND



2) COLOR

1 = BLACK

2 = GRAY



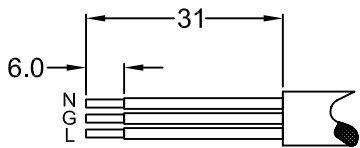
RoHS
COMPLIANT

NOTES:

1. Contains integral cable clamp strain relief & internal screw type connections. Maximum wire gauge is 16AWG stranded.

2. Recommended screw torque: 1.2Nm

3. Recommended strip length for jacket and conductors:



| | | | | | | | | | | | |
|-----|----------|--------|------------------------|----|-----|----|------|----|--|--|--|
| REV | DATE | CHANGE | CHNG | | CHK | | APPR | | | | |
| | | | PB | DF | PB | PB | PB | PB | | | |
| | | | NOTES 2 & 3: RoHS | | | | | | | | |
| | | | 29.0-0.5 WAS 28.2 +0.3 | | | | | | | | |
| A | 1/25/07 | | | | | | | | | | |
| B | 11/1/008 | | | | | | | | | | |

| | | |
|---|----|----------------|
| TOLERANCE UNLESS OTHERWISE SPECIFIED | | |
| X ± 1 | | |
| X.X ± 0.4 | | |
| X.XX ± 0.20 | | |
| DRAWN BY | GQ | DATE: 08/17/01 |
| CHECK BY | TD | DATE: 08/20/01 |
| APPR BY | PB | DATE: 08/21/01 |

| | | |
|--|--|--------------|
| Power Dynamics, Inc. | | |
| Phone: 973 560-0019 Whippany, New Jersey Fax: 973 560-0076 | | |
| PART: IEC 60320 C14 & C16 MALE POWER CORD PLUG; STRAIGHT CONNECTION | | |
| PART #: 42R04-X3X1 | | SHEET 1 of 1 |
| SIZE: A | ALL DIMENSIONS FOR REFERENCE ONLY DIMENSIONS ARE IN MILLIMETERS | |
| SCALE: NTS | REV: D | |

6

5

4

3

2

1