

**PLEASE CHECK WWW.MOLEX.COM FOR LATEST PART INFORMATION**

**Part Number:** [5007971594](#)  
**Status:** **Active**  
**Description:** 0.30mm (.012") Pitch Easy-On™ Type FPC Connector, 1.05mm (.041") Mated Height, Right Angle, SMT, Bottom Contact Style, 15 Circuits, Lead-free

**Documents:**

[3D Model](#) [Product Specification PS-500797-003 \(PDF\)](#)  
[Drawing \(PDF\)](#) [RoHS Certificate of Compliance \(PDF\)](#)

**General**

Product Family FFC/FPC Connectors  
 Series [500797](#)  
 Product Name Easy-On™

**Physical**

Circuits (Loaded) 15  
 Contact Position Bottom  
 Durability (mating cycles max) 20  
 Entry Angle 90° Angle  
 Mated Height (in) 0.041 In  
 Mated Height (mm) 1.05 mm  
 Material - Metal Copper Alloy, Phosphor Bronze  
 Material - Plating Mating Gold  
 Number of Rows 1  
 Orientation Right Angle  
 PCB Locator No  
 PCB Retention Yes  
 Packaging Type Embossed Tape on Reel  
 Pitch - Mating Interface (in) 0.012 In  
 Pitch - Mating Interface (mm) 0.30 mm  
 Polarized to PCB Yes  
 Stackable No  
 Temperature Range - Operating -20°C to +85°C  
 Termination Interface: Style Surface Mount  
 Wire/Cable Type FPC only

**Electrical**

Current - Maximum per Contact 0.2A  
 Voltage - Maximum 50V

**Material Info**

**Reference - Drawing Numbers**

Product Specification PS-500797-003, RPS-500797-007, RPS-500797-008, RPS-500797-009, RPS-500797-010, RPS-500797-012, RPS-500797-013, RPS-500797-016, RPS-500797-017, RPS-500797-019  
 Sales Drawing SD-500797-005, SD-500797-006

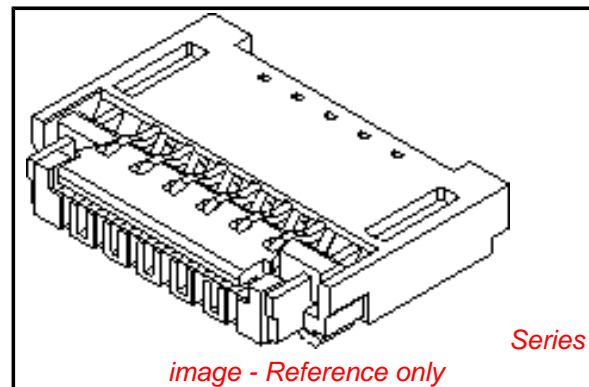


image - Reference only

**EU RoHS**

**ELV and RoHS Compliant**  
**REACH SVHC**  
 Not Reviewed  
**Halogen-Free Status**  
 Not Reviewed

**China RoHS**

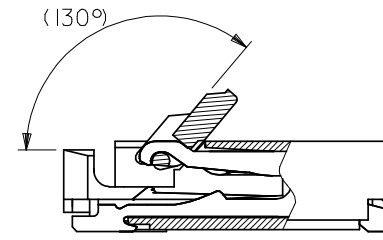
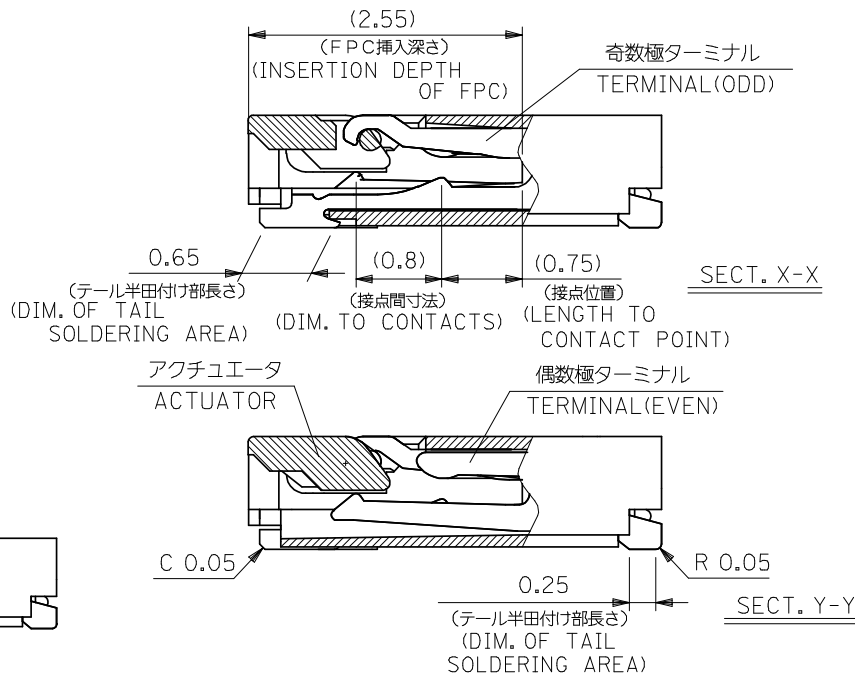
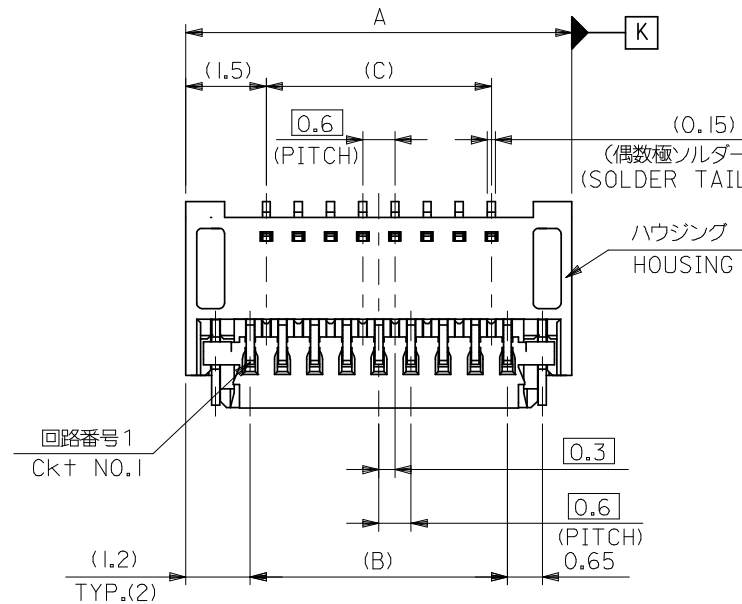


**Need more information on product environmental compliance?**

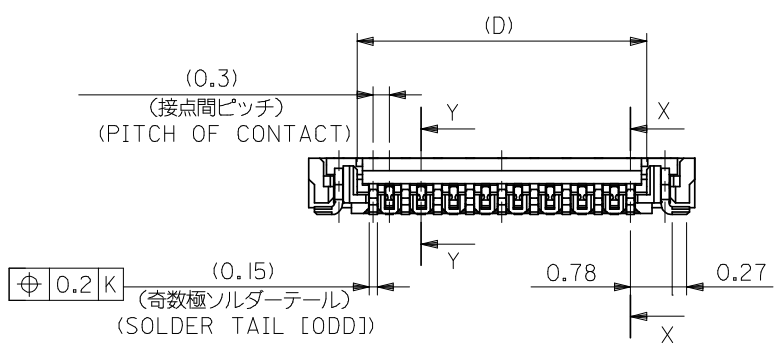
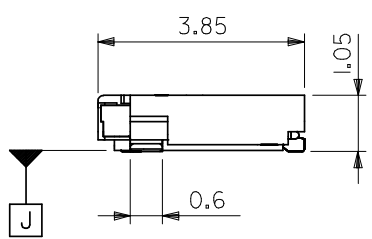
Email [productcompliance@molex.com](mailto:productcompliance@molex.com)  
 For a multiple part number RoHS Certificate of Compliance, [click here](#)

Please visit the [Contact Us](#) section for any non-product compliance questions.

**Search Parts in this Series**  
[500797Series](#)



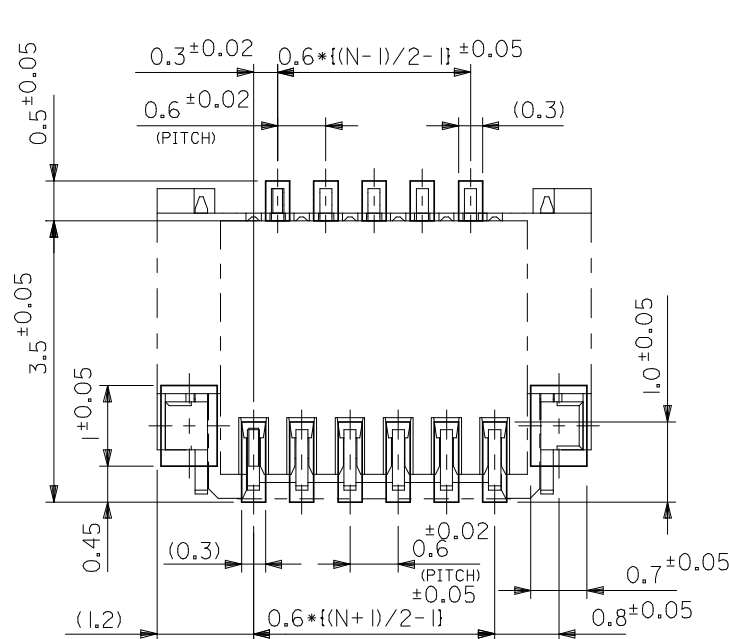
アクチュエータを開いた状態  
WHEN ACTUATOR IS OPENED



|      |      |      |      |                  |             |              |
|------|------|------|------|------------------|-------------|--------------|
| 15.6 | 14.4 | 15.0 | 17.4 | 500797-5194      | 500797-5150 | 51           |
| 12.6 | 11.4 | 12.0 | 14.4 | 500797-4194      | 500797-4150 | 41           |
| 12.0 | 10.8 | 11.4 | 13.8 | 500797-3994      | 500797-3950 | 39           |
| 10.8 | 9.6  | 10.2 | 12.6 | 500797-3594      | 500797-3550 | 35           |
| 10.2 | 9.0  | 9.6  | 12.0 | 500797-3394      | 500797-3350 | 33           |
| 9.6  | 8.4  | 9.0  | 11.4 | 500797-3194      | 500797-3150 | 31           |
| 8.4  | 7.2  | 7.8  | 10.2 | 500797-2794      | 500797-2750 | 27           |
| 7.8  | 6.6  | 7.2  | 9.6  | 500797-2594      | 500797-2550 | 25           |
| 7.2  | 6.0  | 6.6  | 9.0  | 500797-2394      | 500797-2350 | 23           |
| 5.4  | 4.2  | 4.8  | 7.2  | 500797-1794      | 500797-1750 | 17           |
| 4.8  | 3.6  | 4.2  | 6.6  | 500797-1594      | 500797-1550 | 15           |
| 3.6  | 2.4  | 3.0  | 5.4  | 500797-1194      | 500797-1150 | 11           |
| D    | C    | B    | A    | EMBOSSED TAPE    |             | MATERIAL NO. |
|      |      |      |      | ORDER No. オーダー番号 |             | CKT.         |

500797-\*\*50 MODEL No.

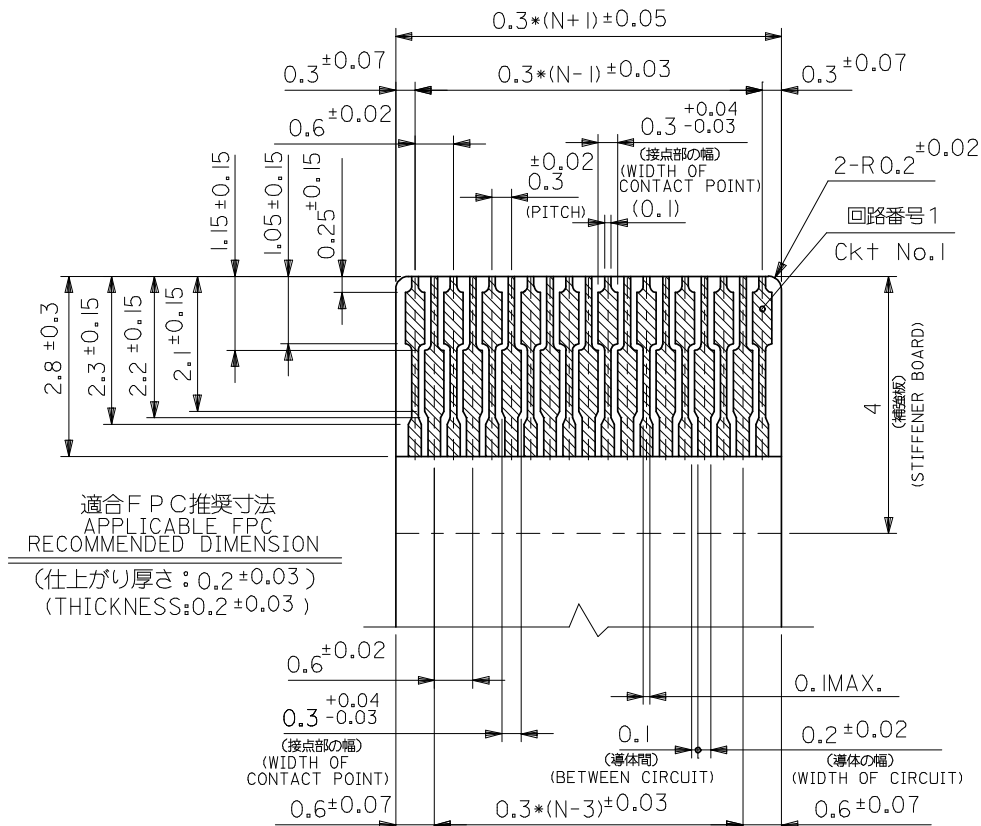
|  |                                       |  |                            |                    |  |                        |                        |  |
|--|---------------------------------------|--|----------------------------|--------------------|--|------------------------|------------------------|--|
| REVISED<br>EC NO: J2008-4034<br>DRWN: MWABEI 2008/05/28<br>CHKD: THARUYAMA 2008/05/28<br>APPR: NUKITA 2008/05/28 | GENERAL TOLERANCES (UNLESS SPECIFIED) |  | DIMENSION STYLE<br>MM ONLY |                    | SCALE<br>---   | DESIGN UNITS<br>METRIC | THIRD ANGLE PROJECTION |  |
|  | 10 UNDER                              | ±0.2   | DRAWN BY<br>YMAEDA         | DATE<br>2006/03/07 | TITLE<br>0.3 FPC CONN E/O HSG<br>ASSY (HGT=1.05MM)<br>GOLD PLATING -LEAD FREE- |                        |                        |  |
|  | 10 OVER 30 UNDER                      | ±0.25  | CHECKED BY<br>MTANAKA      | DATE<br>2006/03/07 |  |                        |                        |  |
|  | 30 OVER                               | ±0.3   | APPROVED BY<br>NUKITA      | DATE<br>2006/03/07 | MOLEX INCORPORATED   |                        |                        |  |
|  | ANGULAR ±3 °                          |  | MATERIAL NO.<br>SEE TABLE  |                    | DOCUMENT NO.<br>SD-500797-005  |                        | SHEET NO.<br>1 OF 2    |  |
| DRAFT WHERE APPLICABLE<br>MUST REMAIN<br>WITHIN DIMENSIONS   |                                       | THIS DRAWING CONTAINS INFORMATION THAT IS PROPRIETARY TO MOLEX<br>INCORPORATED AND SHOULD NOT BE USED WITHOUT WRITTEN PERMISSION |                            |                    |  |                        |                        |  |



参考基板レイアウト図  
(マウント面)  
(MOUNTING SIDE)

注記 NOTES

1. 使用材料 MATERIAL  
 ハウジング : 液晶ポリマー ガラス充填 UL94V-0  
 HOUSING : LIQUID CRYSTAL POLYMER (GLASS FILLED) UL94V-0  
 アクチュエータ : 46 ナイロン ガラス充填 UL94V-0  
 ACTUATOR : 46 NYLON (GLASS FILLED) UL94V-0  
 ターミナル : 銅合金 (t=0.15), ニッケル下地金メッキ  
 TERMINAL : COPPER ALLOY, GOLD OVER NICKEL PLATING.  
 金具 : リン青銅 (t=0.15), ニッケル下地スズメッキ  
 FITTING NAIL : PHOSPHOR-BRONZE, TIN OVER NICKEL PLATING.  
 △ ソルダータール半田付け面のズレ量、及び金具半田付け面のズレ量は、基準面 **J** に対し、  
 上方向 0.1 MAXIMUM 下方向 0.15 MAXIMUM とする。  
 又、相互のバラツキ量は 0.1 MAXIMUM とする。  
 MISALIGNMENT OF SOLDER TAILS AND FITTING NAILS FROM **J**  
 UPPER DIRECTION : 0.1 MAXIMUM, LOWER DIRECTION : 0.15 MAXIMUM.  
 OFFSET BETWEEN SOLDER TAILS AND FITTING NAILS : 0.1 MAXIMUM.



適合FPC推奨寸法  
 APPLICABLE FPC  
 RECOMMENDED DIMENSION  
 (仕上がり厚さ: 0.2±0.03)  
 (THICKNESS: 0.2±0.03)

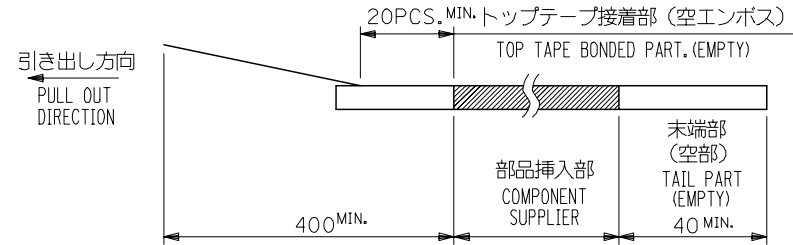
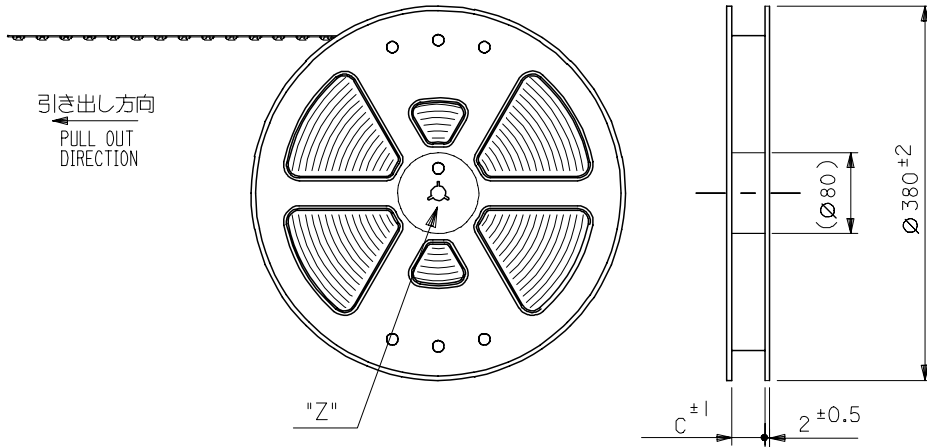
FPCについて:  
 打抜き方向は導体側から補強板側を推奨いたします。  
 導体部については軟銅箔35マイクロメーターまたは50マイクロメーターを推奨致します。  
 補強フィルム材質はポリイミドを推奨します。  
 接着剤は熱硬化接着剤を推奨します。

ABOUT FPC  
 RECOMMENDED PUNCHER DIRECTION : FROM CONDUCTOR SIDE TO STIFFENER FILM SIDE.  
 RECOMMENDED CONDUCTOR SPEC :  
 THICKNESS OF SOFT COPPER FOIL : 35 MICROMETER OR 50 MICROMETER  
 RECOMMENDED MATERIAL :  
 STIFFENER FILM : POLYIMIDE  
 BONDING AGENT : THERMOSETTING BONDING AGENT

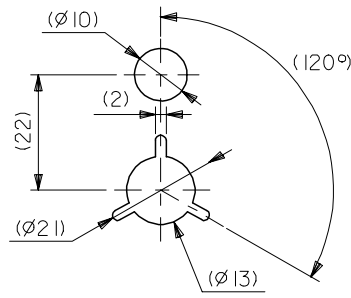
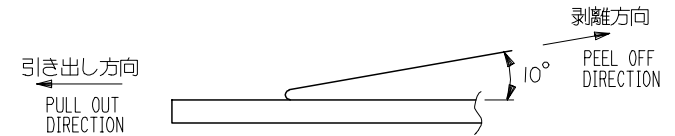
|   |   |  |       |                            |                    |  |                               |                        |  |  |
|---|---|--|-------|----------------------------|--------------------|--|-------------------------------|------------------------|--|--|
| REVISED<br>EC NO: J2008-4034<br>DRWN:WABEI<br>CHKD:THARUYAMA<br>APPR:NUKITA | DESCRIPTION<br>2008/05/28<br>2008/05/28<br>2008/05/28 | GENERAL TOLERANCES (UNLESS SPECIFIED)                      |       | DIMENSION STYLE<br>MM ONLY |                    | SCALE<br>---   | DESIGN UNITS<br>METRIC        | THIRD ANGLE PROJECTION |  |  |
|   |   | 10 UNDER   | ±0.2  | DRAWN BY<br>YMAEDA         | DATE<br>2006/03/06 | TITLE<br>0.3 FPC CONN E/O HSG<br>ASSY (HGT=1.05MM)<br>GOLD PLATING -LEAD FREE-   |                               |                        |  |  |
|   |   | 10 OVER 30 UNDER   | ±0.25 | CHECKED BY<br>MTANAKA      | DATE<br>2006/03/06 | MOLEX INCORPORATED   |                               |                        |  |  |
|   |   | 30 OVER  | ±0.3  | APPROVED BY<br>NUKITA      | DATE<br>2006/03/06 | MATERIAL NO.<br>SEE SHEET 1  | DOCUMENT NO.<br>SD-500797-005 | SHEET NO.<br>2 OF 2    |  |  |
| D   | REV   | DRAFT WHERE APPLICABLE<br>MUST REMAIN<br>WITHIN DIMENSIONS |       | SIZE<br>A3                 |                    | THIS DRAWING CONTAINS INFORMATION THAT IS PROPRIETARY TO MOLEX<br>INCORPORATED AND SHOULD NOT BE USED WITHOUT WRITTEN PERMISSION |                               |                        |  |  |

NOTES

- 製品詳細寸法については図面 SD-500797-005 を参照下さい。  
RE DETAILED DIMENSION, SEE SD-500797-005
- 梱包数量：3000個/リール  
NUMBER OF CONNECTORS : 3000PCS/REEL
- リードテープ長さ LEAD TAPE LENGTH



- トップテープの剥離強度：0.1N ~ 1.3N(10.2gf ~ 132.6gf)  
(剥離方向は下図参照)  
尚、本規格値は出荷時に適用。(但し、輸送時に剥離が発生しないこと。)  
PEELING OFF FORCE OF TOP TAPE : 0.1N ~ 0.7N(10.2gf ~ 71.4gf)  
(PEELING DIRECTION AS SHOWN IN FOLLOWING FIG.)  
THIS REQUIREMENT SHOULD BE APPLIED AT SHIPMENT.  
PEEL OFF SHOULD NOT BE ALLOWED , DURING TRANSPORTATION.



DETAIL "Z"

- 材料(MATERIAL)  
キャリアテープ(CARRIER TAPE)：ポリプロピレン(POLYPROPYLENE)  
トップテープ(TOPTAPE)：PET, PE, PEF  
リール(REEL)：ポリスチレン(PS) <リサイクル材含む>  
POLYSTYREN (PS) <RECYCLE MATERIAL CONTAINED>
- C寸法は SHEET 2 ~ 4 を参照下さい。  
SEE SHEET 2 ~ 4 (DIMENSION C).
- 欠品無きこと。  
THERE SHALL BE NO MISSING PRODUCTS.

500797-\*\*-94 MODEL NO.

|  |  |            |                            |  |  |                           |
|--|--|------------|----------------------------|--|--|---------------------------|
| REVISED<br>EC NO: J2008-0003<br>DRWN:MIYASHI 2007/07/02<br>CHKDK: MORIKAWA 2007/07/02<br>APPR: MORIKAWA 2007/07/03 | GENERAL TOLERANCES<br>(UNLESS SPECIFIED) |            | DIMENSION STYLE<br>MM ONLY | SCALE<br>---   | DESIGN UNITS<br>METRIC   | THIRD ANGLE<br>PROJECTION |
|  | 10 UNDER                                 | ±0.2       | DRAWN BY<br>YMAEDA         | DATE<br>2006/03/07   | TITLE<br>EMBSTP PKG FOR 0.3 FPC<br>CONN (HGT=1.05MM)<br>GOLD PLATING -LEAD FREE- |                           |
|  | 10 OVER 30 UNDER                         | ±0.25      | CHECKED BY<br>MTANAKA      | DATE<br>2006/03/07   | MOLEX INCORPORATED   |                           |
|  | 30 OVER                                  | ±0.3       | APPROVED BY<br>NUKITA      | DATE<br>2006/03/07   | DOCUMENT NO.<br>SD-500797-006  | SHEET NO.<br>1 OF 4       |
|  | ANGULAR                                  | ±3 °       | MATERIAL NO.<br>SEE CHART  |  |  |                           |
| DRAFT WHERE APPLICABLE<br>MUST REMAIN<br>WITHIN DIMENSIONS   |  | SIZE<br>A3 |                            | THIS DRAWING CONTAINS INFORMATION THAT IS PROPRIETARY TO MOLEX<br>INCORPORATED AND SHOULD NOT BE USED WITHOUT WRITTEN PERMISSION |  |                           |

10 9 8 7 6 5 4 3 2 1

F

E

D

C

B

A

F

E

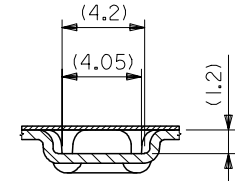
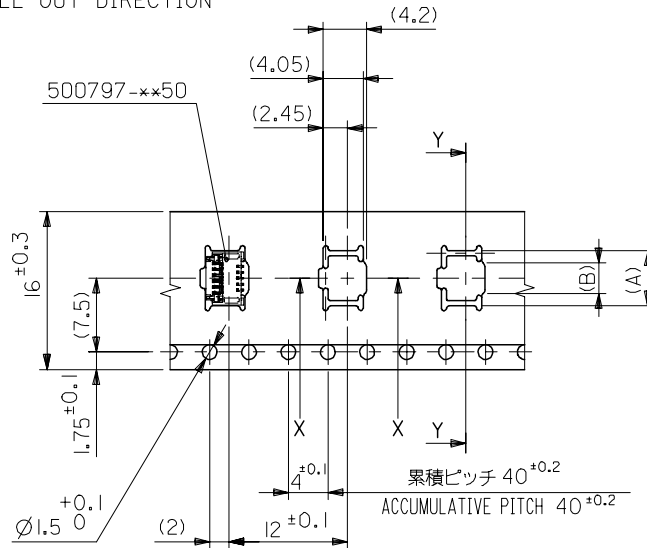
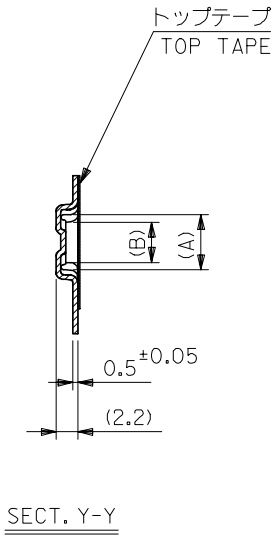
D

C

B

A

引き出し方向  
PULL OUT DIRECTION



16mm幅キャリアテープ  
16mm WIDTH CARRIER TAPE

|                                |      |     |     |                      |           |
|--------------------------------|------|-----|-----|----------------------|-----------|
| 16                             | 17.5 | 4.6 | 6.8 | 500797-1594          | 15        |
| キャリアテープ幅<br>CARRIER TAPE WIDTH | C    | (B) | (A) | 製品番号<br>MATERIAL No. | 極数<br>CK+ |
|                                |      |     |     | 500797-xx94          | MODEL No. |

|   |  |        |                            |                    |  |                           |
|---|--|--------|----------------------------|--------------------|--|---------------------------|
| REVISED<br>EC NO: J2008-0003<br>DRW:MHAYASHI 2007/07/02<br>CHK:K.MORIKAWA 2007/07/02<br>APP:K.MORIKAWA 2007/07/03 | GENERAL TOLERANCES<br>(UNLESS SPECIFIED)                   |        | DIMENSION STYLE<br>MM ONLY | SCALE<br>---       | DESIGN UNITS<br>METRIC   | THIRD ANGLE<br>PROJECTION |
|   | 10 UNDER   | ± 0.2  | DRAWN BY<br>YMAEDA         | DATE<br>2006/03/07 | TITLE<br>EMBSTP PKG FOR 0.3 FPC<br>CONN (HGT=1.05MM)<br>GOLD PLATING -LEAD FREE-   |                           |
|   | 10 OVER 30 UNDER   | ± 0.25 | CHECKED BY<br>MTANAKA      | DATE<br>2006/03/07 | MOLEX INCORPORATED   |                           |
|   | 30 OVER  | ± 0.3  | APPROVED BY<br>NUKITA      | DATE<br>2006/03/07 | DOCUMENT NO.<br>SD-500797-006  | SHEET NO.<br>2 OF 4       |
|   | ANGULAR  | ± 3 °  | MATERIAL NO.<br>SEE CHART  |                    |  |                           |
|   | DRAFT WHERE APPLICABLE<br>MUST REMAIN<br>WITHIN DIMENSIONS |        | SIZE<br>A3                 |                    | THIS DRAWING CONTAINS INFORMATION THAT IS PROPRIETARY TO MOLEX<br>INCORPORATED AND SHOULD NOT BE USED WITHOUT WRITTEN PERMISSION |                           |

10 9 8 7 6 5 4 3 2 1

F

F

E

E

D

D

C

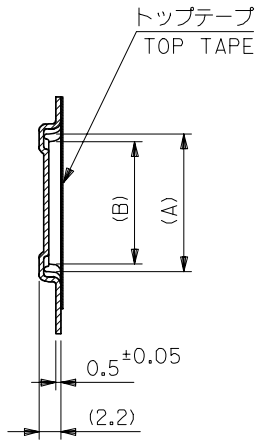
C

B

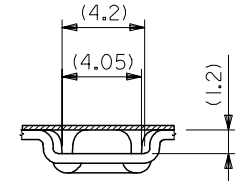
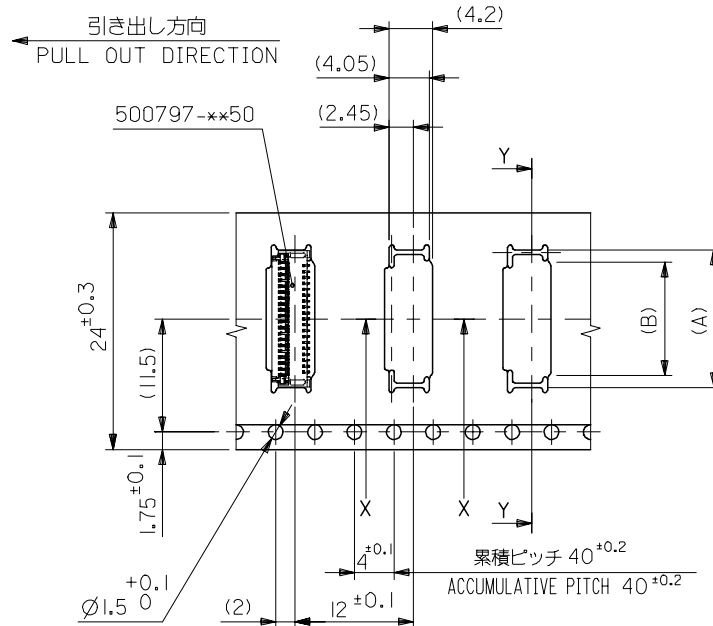
B

A

A



SECT. Y-Y



SECT. X-X

24mm幅キャリアテープ  
24mm WIDTH CARRIER TAPE

|                                |      |      |         |                      |           |
|--------------------------------|------|------|---------|----------------------|-----------|
| 24                             | 25.5 | 12.4 | 14.6    | 500797-4194          | 41        |
|                                |      | 11.8 | 14.0    | 500797-3994          | 39        |
|                                |      | 10.6 | 12.8    | 500797-3594          | 35        |
|                                |      | 10.0 | 12.2    | 500797-3394          | 33        |
|                                |      | 9.4  | 11.6    | 500797-3194          | 31        |
|                                |      | 8.2  | 10.4    | 500797-2794          | 27        |
|                                |      | 7.6  | 9.8     | 500797-2594          | 25        |
|                                |      | 7.0  | 9.2     | 500797-2394          | 23        |
|                                |      | 5.2  | 7.4     | 500797-1794          | 17        |
| キャリアテープ幅<br>CARRIER TAPE WIDTH |      | C    | (B) (A) | 製品番号<br>MATERIAL No. | 極数<br>Ck† |

500797-\*\*94 MODEL No.

|  |                                       |       |  |                    |  |                        |                               |                     |  |
|--|---------------------------------------|-------|--|--------------------|--|------------------------|-------------------------------|---------------------|--|
| REVISED<br>EC NO: J2008-0003<br>DRWN:MIYASHI 2007/07/02<br>CHKDK: MORIKAWA 2007/07/02<br>APPR: MORIKAWA 2007/07/03 | GENERAL TOLERANCES (UNLESS SPECIFIED) |       | DIMENSION STYLE<br>MM ONLY                                 |                    | SCALE<br>---   | DESIGN UNITS<br>METRIC | THIRD ANGLE PROJECTION        |                     |  |
|  | 10 UNDER                              | ±0.2  | DRAWN BY<br>YMAEDA   | DATE<br>2006/03/07 | TITLE<br>EMBSTP PKG FOR 0.3 FPC<br>CONN (HGT=1.05MM)<br>GOLD PLATING -LEAD FREE- |                        |                               |                     |  |
|  | 10 OVER 30 UNDER                      | ±0.25 | CHECKED BY<br>MTANAKA                                      | DATE<br>2006/03/07 | MOLEX INCORPORATED   |                        |                               |                     |  |
|  | 30 OVER                               | ±0.3  | APPROVED BY<br>NUKITA                                      | DATE<br>2006/03/07 | MATERIAL NO.   |                        | DOCUMENT NO.<br>SD-500797-006 | SHEET NO.<br>3 OF 4 |  |
|  | ANGULAR                               | ±3 °  | DRAFT WHERE APPLICABLE<br>MUST REMAIN<br>WITHIN DIMENSIONS |                    | SEE CHART  |                        |                               |                     |  |

9

8

7

6

5

4

3

2

10 9 8 7 6 5 4 3 2 1

F

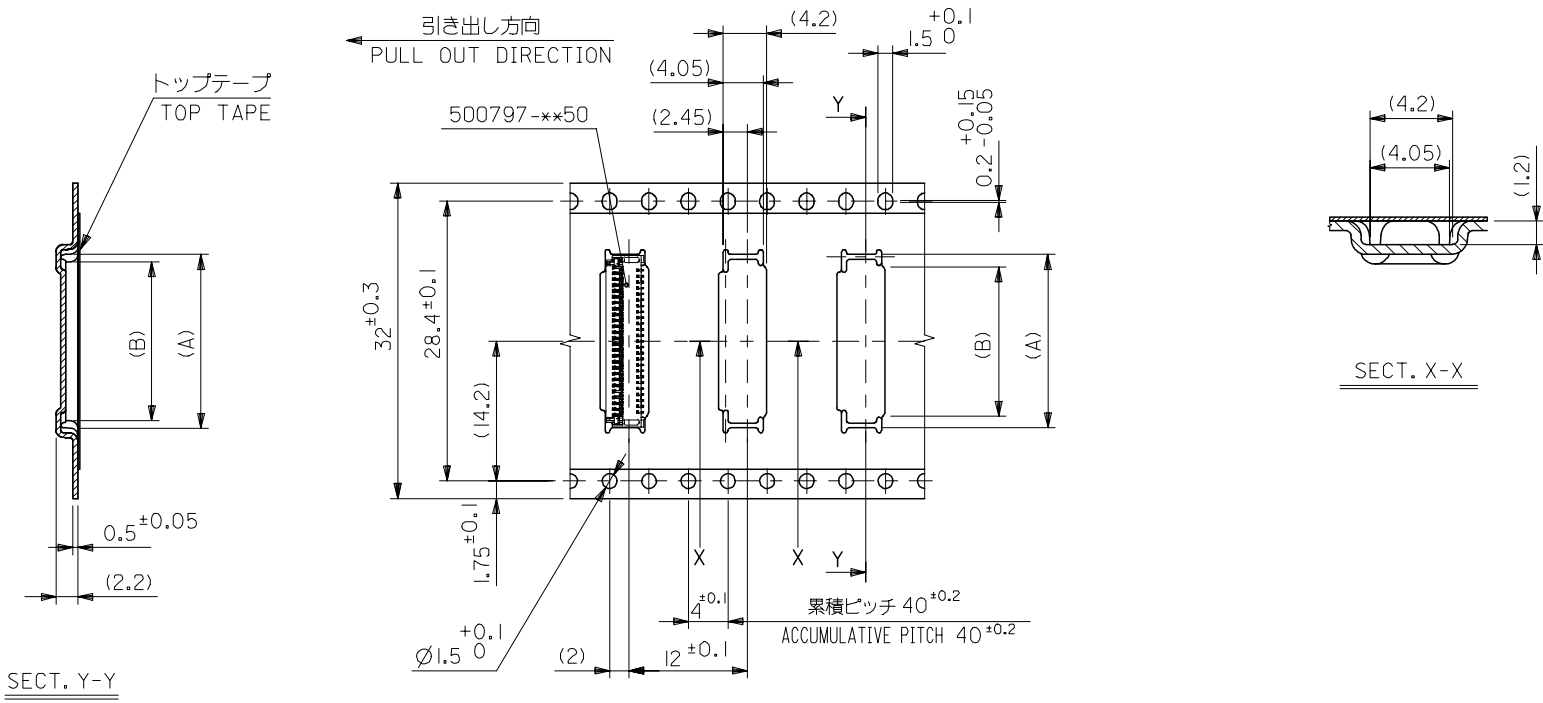
E

D

C

B

A



32mm幅キャリアテープ  
32mm WIDTH CARRIER TAPE

|                                |      |      |      |                      |           |
|--------------------------------|------|------|------|----------------------|-----------|
| 32                             | 33.5 | 15.4 | 17.6 | 500797-5194          | 51        |
| キャリアテープ幅<br>CARRIER TAPE WIDTH | C    | (B)  | (A)  | 製品番号<br>MATERIAL No. | 極数<br>CK+ |
|                                |      |      |      | 500797-**94          | MODEL No. |

|  |                                       |       |  |                    |  |  |                     |
|--|---------------------------------------|-------|--|--------------------|--|--|---------------------|
| REVISED<br>EC NO: J2008-0003<br>DRWN:MIYASHI 2007/07/02<br>CHKDK: MORIKAWA 2007/07/02<br>APPR: MORIKAWA 2007/07/03 | GENERAL TOLERANCES (UNLESS SPECIFIED) |       | DIMENSION STYLE<br>MM ONLY                                 | SCALE<br>---       | DESIGN UNITS<br>METRIC   | THIRD ANGLE PROJECTION   |                     |
|  | 10 UNDER                              | ±0.2  | DRAWN BY<br>YMAEDA   | DATE<br>2006/03/07 | TITLE<br>EMBSTP PKG FOR 0.3 FPC<br>CONN (HGT=1.05MM)<br>GOLD PLATING -LEAD FREE- |  |                     |
|  | 10 OVER 30 UNDER                      | ±0.25 | CHECKED BY<br>MTANAKA                                      | DATE<br>2006/03/07 | MOLEX INCORPORATED   |  |                     |
|  | 30 OVER                               | ±0.3  | APPROVED BY<br>NUKITA                                      | DATE<br>2006/03/07 | MATERIAL NO.   | DOCUMENT NO.<br>SD-500797-006  | SHEET NO.<br>4 OF 4 |
|  | ANGULAR                               | ±3 °  | DRAFT WHERE APPLICABLE<br>MUST REMAIN<br>WITHIN DIMENSIONS |                    | SIZE<br>A3   | THIS DRAWING CONTAINS INFORMATION THAT IS PROPRIETARY TO MOLEX<br>INCORPORATED AND SHOULD NOT BE USED WITHOUT WRITTEN PERMISSION |                     |

9

8

7

6

5

4

3

2