

## FEATURES AND SPECIFICATIONS

### Features and Benefits

- Sizes 3 to 20 circuits
- For topcoated ribbon cable
- Wire range: 26 AWG
- Insulation diameter: 1.30mm max.
- Strip length: 7.00mm

### Reference Information

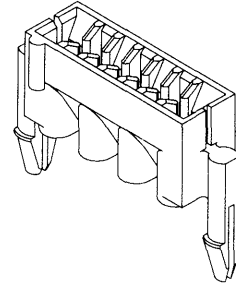
Packaging: Bag  
Designed In: Millimeters

### Physical

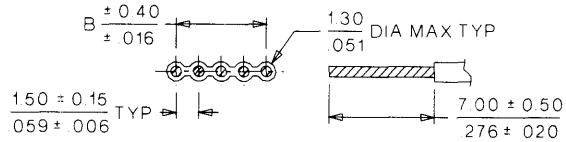
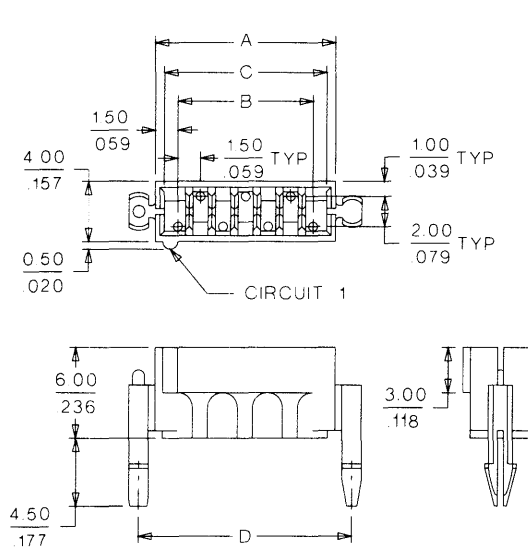
Housing: 6/6 nylon, UL 94V-2  
Operating Temperature: -40 to +105°C

# molex® 1.50mm (.059") Pitch Cable Holder

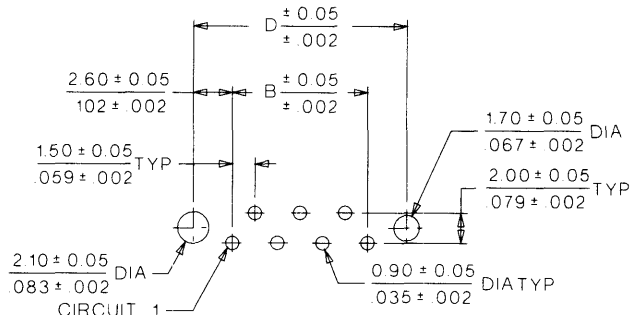
## 51016 Vertical For Ribbon Cable



### CATALOG DRAWING (FOR REFERENCE ONLY)



APPLICABLE WIRE RECOMMENDED DIMENSION



PCB LAYOUT COMPONENT SIDE  
RECOMMENDED PCB THICKNESS  $1.60 \pm 0.05 / 0.63 \pm 0.02$

### ORDERING INFORMATION AND DIMENSIONS

Circuits	Order No.	Dimension			
		A	B	C	D
3	51016-0300	6.00 (.236)	3.00 (.118)	4.80 (.188)	8.20 (.323)
4	51016-0400	7.50 (.295)	4.50 (.177)	6.30 (.248)	9.70 (.382)
5	51016-0500	9.00 (.354)	6.00 (.236)	7.80 (.307)	11.20 (.441)
6	51016-0600	10.50 (.413)	7.50 (.295)	9.30 (.366)	12.70 (.500)
7	51016-0700	12.00 (.472)	9.00 (.354)	10.80 (.425)	14.20 (.559)
8	51016-0800	13.50 (.531)	10.50 (.413)	12.30 (.484)	15.70 (.618)
9	51016-0900	15.00 (.591)	12.00 (.472)	13.80 (.543)	17.20 (.677)
10	51016-1000	16.50 (.650)	13.50 (.531)	15.30 (.602)	18.70 (.736)
11	51016-1100	18.00 (.709)	15.00 (.590)	16.80 (.661)	20.20 (.795)
12	51016-1200	19.50 (.768)	16.50 (.649)	18.30 (.720)	21.70 (.854)
13	51016-1300	21.00 (.827)	18.00 (.709)	19.80 (.780)	23.20 (.913)
14	51016-1400	22.50 (.886)	19.50 (.768)	21.30 (.839)	24.70 (.972)
15	51016-1500	24.00 (.945)	21.00 (.827)	22.80 (.898)	26.20 (1.031)
16	51016-1600	25.50 (1.004)	22.50 (.886)	24.30 (.957)	27.70 (1.091)
17	51016-1700	27.00 (1.063)	24.00 (.945)	25.80 (1.016)	29.20 (1.150)
19	51016-1900	30.00 (1.181)	27.00 (1.063)	28.80 (1.134)	32.20 (1.268)
20	51016-2000	31.50 (1.240)	28.50 (1.122)	30.30 (1.193)	33.70 (1.327)