

PLEASE CHECK WWW.MOLEX.COM FOR LATEST PART INFORMATION

Part Number: [0850480062](#)
Status: **Active**
Overview: [din_41612](#)
Description: 2.54mm (.100") Pitch DIN 41612/IEC 603-2 Mixed Layout Connector, Through Hole, Vertical, Female Style M, 48 Circuits, Lead free

Documents:

[3D Model](#) [RoHS Certificate of Compliance \(PDF\)](#)
[Drawing \(PDF\)](#)

Agency Certification

CSA LR19980
 UL E29179

General

Product Family Backplane Connectors
 Series [85048](#)
 Application Daughtercard
 Comments Mixed Layout
 Component Type PCB Receptacle
 Overview [din_41612](#)
 Product Name IEC 603-2/DIN 41612
 Style M

Physical

Circuits (Loaded) 48
 Circuits (maximum) 48
 Circuits Detail Rows A, B & C
 Durability (mating cycles max) 400
 First Mate / Last Break No
 Flammability 94V-0
 Guide to Mating Part No
 Keying to Mating Part Yes
 Material - Metal Copper Alloy
 Material - Plating Mating Gold
 Material - Plating Termination Tin
 Number of Columns 14
 Number of Pairs Open Pin Field
 Number of Rows 3
 Orientation Vertical
 PC Tail Length (in) 0.177 In
 PC Tail Length (mm) 4.50 mm
 PCB Locator No
 PCB Retention Yes
 Packaging Type Carton
 Pitch - Mating Interface (in) 0.100 In
 Pitch - Mating Interface (mm) 2.54 mm
 Pitch - Term. Interface (in) 0.100 In
 Pitch - Term. Interface (mm) 2.54 mm
 Plating min: Mating (µin) 24
 Plating min: Mating (µm) 0.60
 Polarized to PCB Yes
 Stackable No
 Surface Mount Compatible (SMC) No
 Temperature Range - Operating -55°C to +125°C
 Termination Interface: Style Through Hole

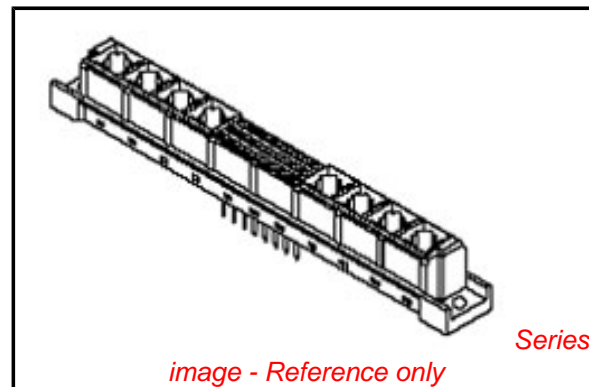


image - Reference only

EU RoHS

ELV and RoHS Compliant
REACH SVHC
 Not Reviewed
Halogen-Free Status
 Not Reviewed

China RoHS



Need more information on product environmental compliance?

Email productcompliance@molex.com
 For a multiple part number RoHS Certificate of Compliance, [click here](#)

Please visit the [Contact Us](#) section for any non-product compliance questions.

Search Parts in this Series

[85048Series](#)

Mates With

DIN 41612/EIC 603-2 Mixed Layout Connector [85009](#) , [85017](#)

Use With

[85022](#)

Electrical

| | |
|-------------------------------|---------------|
| Current - Maximum per Contact | 1A |
| Data Rate | 622.0 Mbps |
| Real Signals (per 25mm) | 30 |
| Voltage - Maximum | 250V AC (RMS) |

Solder Process Data

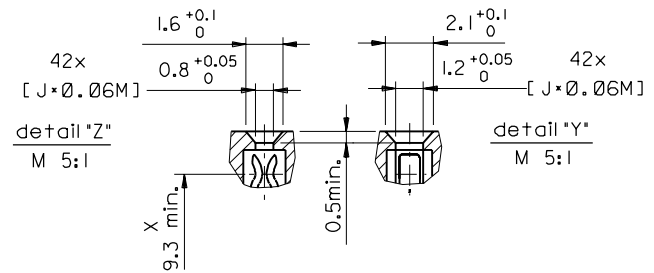
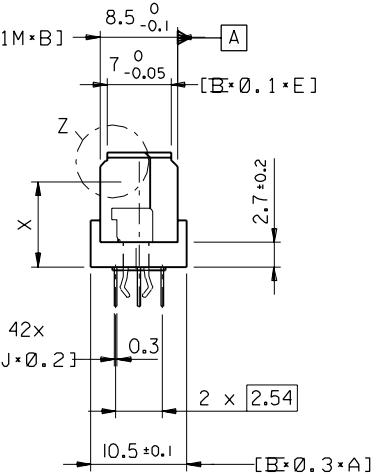
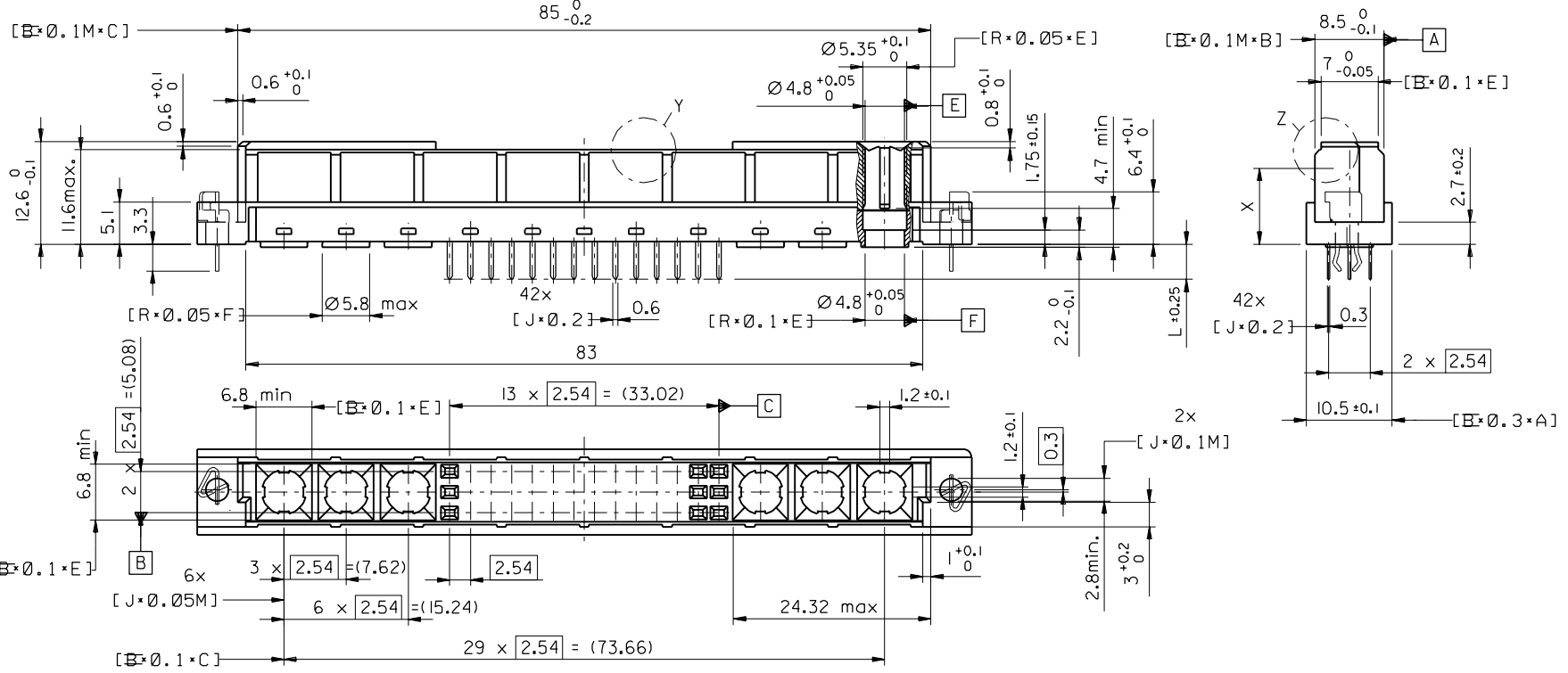
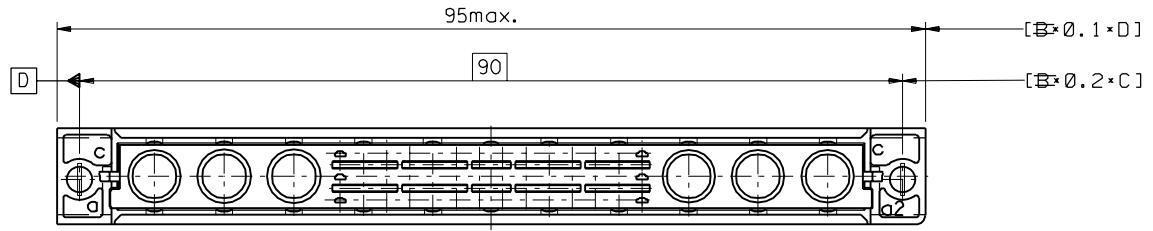
| | |
|--|------------------------|
| Duration at Max. Process Temperature (seconds) | 10 |
| Lead-free Process Capability | Wave Capable (TH only) |
| Process Temperature max. C | 260 |

Material Info**Reference - Drawing Numbers**

| | |
|-------------------------|------------------------------|
| Packaging Specification | PK-85048-001 |
| Sales Drawing | SD-85048-0003, SD-85048-0062 |

This document was generated on 05/17/2010

PLEASE CHECK WWW.MOLEX.COM FOR LATEST PART INFORMATION



| | | | |
|---|--|-----------------------|------|
| FIRST ANGLE PROJECTION | | DRWG BY KN | SIGN |
| UNLESS OTHERWISE SPECIFIED TOLERANCES: ANGULAR ±2° | | CHK'D BY Ca | SIGN |
| 3 PLACE ± | ± | APP'D BY JB | SIGN |
| 2 PLACE ± | ± | SCALE | 2:1 |
| 1 PLACE ± | ± | | |
| DRAFT WHERE APPLICABLE MUST REMAIN WITHIN DIMENSIONS | | | |
| DESIGN DIMENSION | <input checked="" type="checkbox"/> MM | | |
| | <input type="checkbox"/> IN. | | |
| EQUIVALENT DIMENSION | <input type="checkbox"/> MM | | |
| | <input type="checkbox"/> IN. | | |
| IF TWO DIMENSIONS ARE SHOWN THE UPPER IS THE DESIGN DIMENSION, LOWER IS SECONDARY | | | |

| | | | |
|--|--|---|----------|
| REVISE ONLY ON CAD SYSTEM | | SH. | REV. |
| CAD/CAM PROJECT NAME 85048000 831 | | THIS DRAWING CONTAINS INFORMATION THAT IS PROPRIETARY TO MOLEX INC. & SHOULD NOT BE USED WITHOUT WRITTEN PERMISSION | |
| TITLE 42 pos. Federleiste 42 pos. female connector DIN 41612, style M | | | |
| MOLEX EUROPE | | SHEET NO. | DATE |
| PART NO. | | 1 OF 2 | 97/04/10 |
| DWG NO. SD-85048-0003 | | SIZE | B |

| | |
|-------------------------------------|---------------|
| ECN 2478 | first release |
| LTR | REVISIONS |
| FOR PREVIOUS REVISIONS SEE MRI LIST | |

VIEW ON MATING SIDE

| | | | | | | | | | | | | | | | | | | | | |
|---|--|--|--|--|--|--|---|---|---|---|---|---|---|---|---|--|--|--|--|--|
| ⊔ | | | | | | | A | A | A | A | A | A | A | A | A | | | | | |
| ∞ | | | | | | | A | A | A | A | A | A | A | A | A | | | | | |
| ⊕ | | | | | | | A | A | A | A | A | A | A | A | A | | | | | |

1 2 3 4 5 6 7 8 9 10 11 12 13 14 15 16 17 18 19 20 21 22 23 24 25 26 27 28 29 30 31 32 33 34 35 36 37 38 39 40 41 42

A = 42 STANDARD CONTACTS L=4,5

| | |
|-------------------|--|
| Marking | Standard |
| Performance level | G2/0 = Contact area level2 / Termination tin |
| Flux proof | no |
| Fixing clip | no |
| Dimensions | SD-85048-0003 sht.1 |
| Technical Data | PS-85042-0001 |

| | |
|----------------|----------------|
| A | G2/0 |
| Contact symbol | Perform. level |

Contact position number

| | | | | |
|---|----------------------|---|-------------------------------------|-----------------|
| ECN 2478 first release | REVISIONS | | FOR PREVIOUS REVISIONS SEE MFR LIST | |
| | LTR | > | | |
| | | | | |
| UNLESS OTHERWISE SPECIFIED TOLERANCES: ANGULAR ±2' | DRWG BY | KN | SIGN | |
| INCH | CHK'D BY | Ca | SIGN | |
| METRIC | APP'D BY | JB | SIGN | |
| 3 PLACE ± . | | | | |
| 2 PLACE ± . | | | | |
| 1 PLACE ± . | | | | |
| DRAFT WHERE APPLICABLE MUST REMAIN WITHIN DIMENSIONS | DESIGN DIMENSION | <input type="checkbox"/> MM <input type="checkbox"/> IN. | SCALE | |
| | EQUIVALENT DIMENSION | <input type="checkbox"/> MM <input type="checkbox"/> IN. | | |
| IF TWO DIMENSIONS ARE SHOWN, THE UPPER IS THE DESIGN DIMENSION, LOWER IS SECONDARY | | | | |
| CAD/CAM PROJECT NAME | | S8504800 | | S61 |
| REVISE ONLY ON CAD SYSTEM | | SH. REV. | | |
| THIS DRAWING CONTAINS PROPRIETARY TO MOLEX INC. & SHOULD NOT BE USED WITHOUT WRITTEN PERMISSION | | TITLE | | |
| | | 42 pos. female connector acc. DIN 41612, style M contacts arrangement | | |
| MOLEX | | MOLEX EUROPE | | SHEET NO. DATE |
| | | 85048-0062 | | 1 OF 1 97/05/26 |
| | | PART NO. DWG NO. | | SIZE |
| | | SD-85048-0062 | | A |