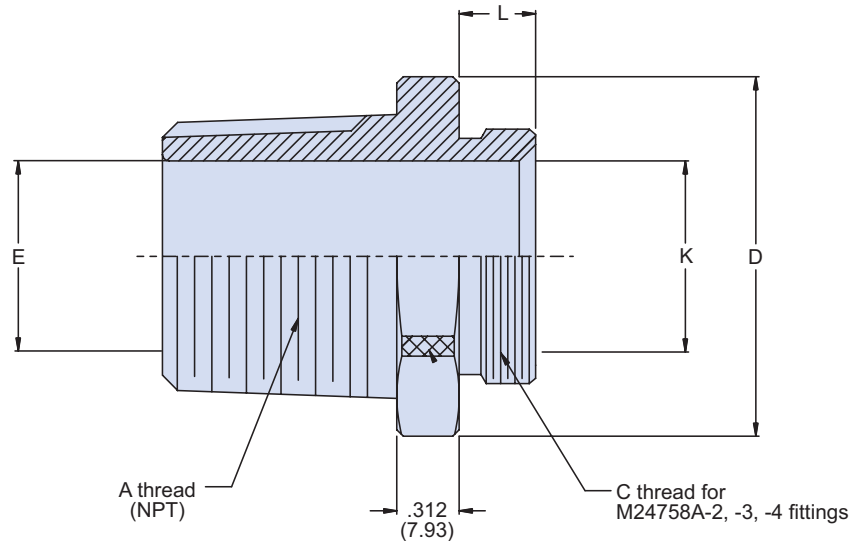


MIL-PRF-24758-17 Adapter for Tapered Pipe Thread

M24758 - 17 C 04

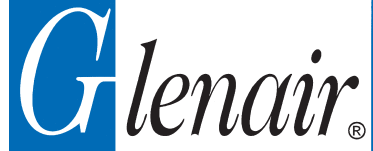
Basic No. _____
 Conduit Size Code, Table I _____
 Dash Code, Table II _____



APPLICATION NOTES

1. Assembly identified with manufacturer's code identification number (Glenair, part number and classification code 490).
2. The M24758-17 adapter couples any fittings that have a NPT tapered pipe thread to M24758-2, MS24758-3 or M24758-4 series fittings.
3. The American national thread series (N) has been superseded by the unified thread series (UN) the series N-thread sizes listed in table II are retained for use with those items which have series N-threads.
4. Material / Finish:
Adapter, - 316 / electroless nickel, matte finish.
5. Metric dimensions (mm) are indicated in parentheses.
6. See M24758-2, -3, -4 torque values for C thread.

MIL-PRF-24758-17
Adapter for Tapered Pipe Thread



**MIL-PRF
24758A**

TABLE I

CONDUIT SIZE CODE	C CLASS - 2A THREAD	L +.03 (.76) -.00	K DIA MIN
A	.438-28 UNEF	.21 (5.25)	.245 (6.22)
B	.688-24 UNEF	.25 (6.35)	.495 (12.57)
C	.938-20 UNEF	.31 (7.87)	.745 (18.92)
D	1.250-18 UNEF	.37 (9.40)	.995 (25.27)
E	1.563-18 UNEF	.37 (9.40)	1.245 (31.62)
F	1.875-16 UN	.43 (10.92)	1.495 (37.97)
G	2.375-16 UN	.43 (10.92)	1.995 (50.67)
H	2.875-16 UN	.43 (10.92)	2.495 (63.37)
J	.563-24 UNEF	.25 (6.35)	.370 (9.40)
K	.813-20 UNEF	.31 (7.87)	.620 (15.75)
L	3.375-16 UN	.43 (10.92)	2.995 (76.07)

TABLE II

DASH NUMBER	A EXTERNAL TAPER PIPE THREAD	D DIA MAX	E DIA REF	MAX CONDUIT SIZE
01	.250-18 NPT	1.00 (25.40)	.250 (6.35)	A
02	.375-18 NPT	1.13 (28.70)	.375 (9.53)	J
03	.500-14 NPT	1.25 (31.75)	.500 (12.70)	B
04	.750-14 NPT	1.50 (38.10)	.750 (19.05)	C
05	1.000-11.5 NPT	1.75 (44.45)	1.000 (25.40)	D
06	1.250-11.5 NPT	2.13 (54.10)	1.250 (31.75)	E
07	1.500-11.5 NPT	2.38 (60.45)	1.500 (38.10)	F
08	2.000-11.5 NPT	2.88 (73.15)	2.000 (50.80)	G
09	2.500-8 NPT	3.38 (85.85)	2.500 (63.50)	H
10	3.000-8 NPT	4.13 (104.90)	3.000 (76.20)	L