

PLEASE CHECK WWW.MOLEX.COM FOR LATEST PART INFORMATION

Part Number: [0472720008](#)
Status: **Active**
Overview: [displayport](#)
Description: 0.50mm (.020") Pitch DisplayPort* Male Receptacle, Right Angle, SMT, 0.76µm (30µ") Gold (Au) Plating, 20 Circuits, with Peg and Solder Tabs of Shell, Leadfree

Documents:

[3D Model](#) [RoHS Certificate of Compliance \(PDF\)](#)
[Drawing \(PDF\)](#)

Agency Certification

UL E29179

General

Product Family	I/O Connectors
Series	47272
Application	Wire-to-Board
Comments	With Peg
Component Type	Receptacle
Overview	displayport
Product Name	DisplayPort*
Type	N/A

Physical	
Boot Color	N/A
Circuits (Loaded)	20
Circuits (maximum)	20
Color - Resin	Black
Flammability	94V-0
Gender	Male
Keying to Mating Part	Yes
Lock to Mating Part	Yes
Material - Metal	Copper Alloy
Material - Plating Mating	Gold
Material - Plating Termination	Tin-Bismuth
Material - Resin	High Temperature Thermoplastic
Number of Rows	2
Orientation	Right Angle
PCB Locator	Yes
PCB Retention	Yes
Packaging Type	Embossed Tape on Reel
Panel Mount	Without Flange
Pitch - Mating Interface (in)	0.039 In
Pitch - Mating Interface (mm)	0.50 mm
Pitch - Term. Interface (in)	0.039 In
Pitch - Term. Interface (mm)	0.50 mm
Plating min: Mating (µin)	30
Plating min: Mating (µm)	0.76
Plating min: Termination (µin)	40
Plating min: Termination (µm)	1
Polarized to Mating Part	Yes
Polarized to PCB	Yes
Ports	1
Temperature Range - Operating	-20°C to +85°C
Termination Interface: Style	Surface Mount
Waterproof / Dustproof	No

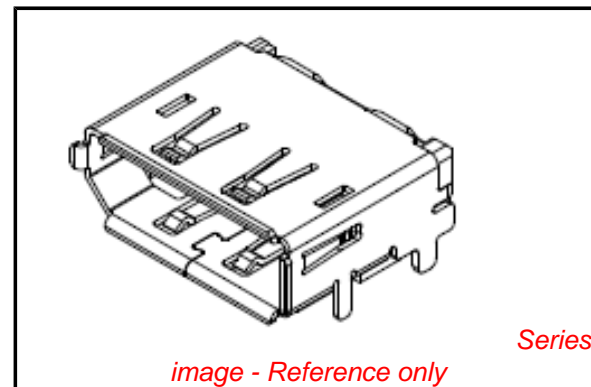


image - Reference only

EU RoHS

**ELV and RoHS
Compliant**
**REACH SVHC
Contains SVHC: No**
**Halogen-Free
Status**

China RoHS



**Need more information on product
environmental compliance?**

Email productcompliance@molex.com
 For a multiple part number RoHS Certificate of Compliance, [click here](#)

Please visit the [Contact Us](#) section for any non-product compliance questions.

Search Parts in this Series

[47272Series](#)

Mates With

[47271](#) Plug Sub-Assemblies, [68783](#) Cable Series

Electrical

Current - Maximum per Contact	0.5A
Grounding to Panel	Yes
Shielded	Yes
Voltage - Maximum	40V AC

Solder Process Data

Duration at Max. Process Temperature (seconds)	3
Lead-free Process Capability	Reflow Capable (SMT only)
Max. Cycles at Max. Process Temperature	2
Process Temperature max. C	250

Material Info**Reference - Drawing Numbers**

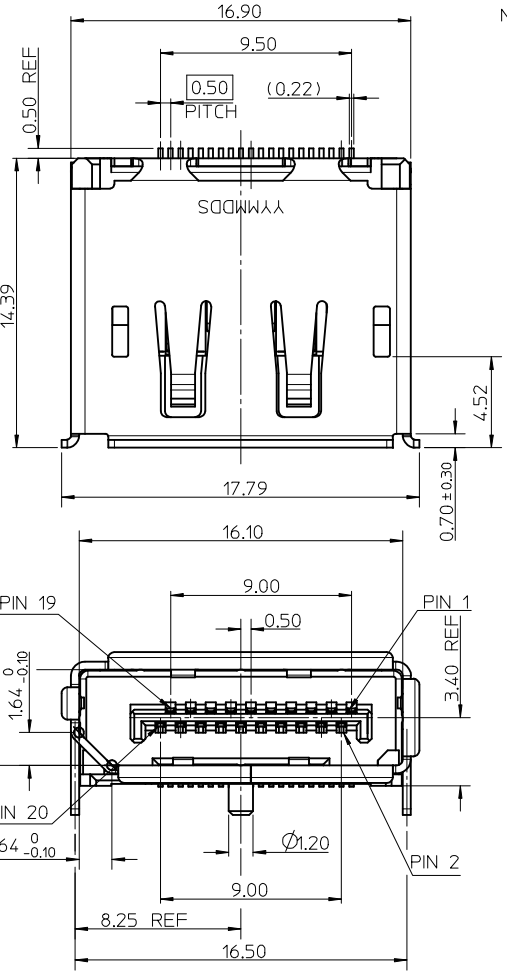
Packaging Specification	PK-47272-001
Sales Drawing	SD-47272-008

* DisplayPort is a Trademark of VESA

This document was generated on 05/19/2010

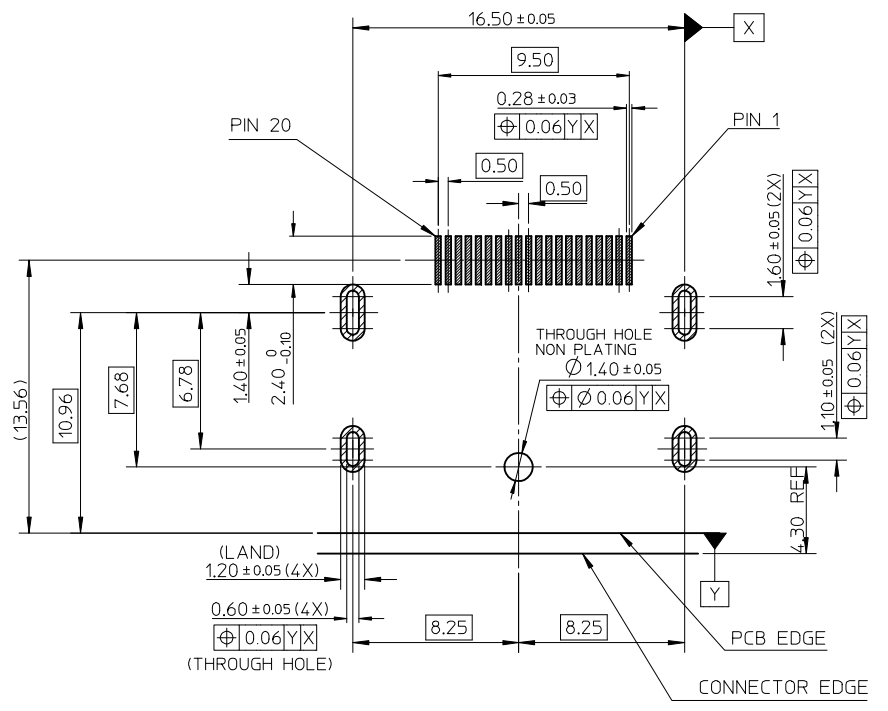
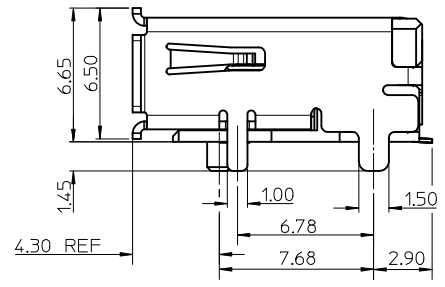
PLEASE CHECK WWW.MOLEX.COM FOR LATEST PART INFORMATION

10 9 8 7 6 5 4 3 2 1

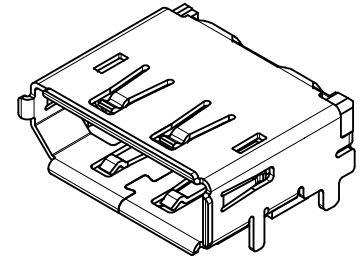


NOTES:

1. MATERIAL:
HOUSING: HGHI TEMPERATURE THERMAL PLASTIC, BLACK, 30% GLASS FILLED, UL94V-0.
TERMINAL: COPPER ALLOY.
SHELL: COPPER ALLOY.
2. PLATING:
TERMINAL: CONTACT AREA:0.76 MICROMETER GOLD PLATING UNDER PLATE1~3 MICROMETER NICKEL PLATING OVERALL.
SOLDER TAIL:1~3 MICROMETER TIN BISMUTH UNDER PLATE1~3 MICROMETER NICKEL PLATING OVERALL.
SHELL: 1.27~2.54 MICROETER SOLDERABLE NICKEL PLATING OVERALL.
3. SOLDER TAIL COPLANARITY 0.10 MAX.
4. PRODUCT SPECIFICATION: PS-47272-001.
5. PACKAGE SPECIFICATION: PK-47272-001.



RECOMMENDED PCB LAYOUT (THICKNESS=1.6±0.15)



NEW RELEASE EC NO: SH2009-0489 DRW:BBLY 2009/01/12 CHKD:RZHANG 2009/01/13 APPR:HWANG 2009/02/12	DESCRIPTION A	QUALITY SYMBOLS ▽=0 ⊕=0	GENERAL TOLERANCES (UNLESS SPECIFIED)		DIMENSION STYLE MM ONLY		SCALE 1:1	DESIGN UNITS METRIC	THIRD ANGLE PROJECTION		
				mm	INCH	DRAWN BY BBLV	DATE 2008/10/16	TITLE 1.0MM PITCH DISPLAY PORT RECEPTACLE ASSEMBLY			
			4 PLACES	± ---	± ---	CHECKED BY RZHANG	DATE 2008/10/16	MOLEX INCORPORATED			
			3 PLACES	± ---	± ---	APPROVED BY HARVEY	DATE 2008/10/16				
2 PLACES	± 0.25	± ---	ANGULAR ± 3 °		MATERIAL NO. 472720008	DOCUMENT NO. SD-47272-008	SHEET NO. 1 OF 1				
1 PLACE	± 0.25	± ---	DRAFT WHERE APPLICABLE MUST REMAIN WITHIN DIMENSIONS		SIZE A3	THIS DRAWING CONTAINS INFORMATION THAT IS PROPRIETARY TO MOLEX INCORPORATED AND SHOULD NOT BE USED WITHOUT WRITTEN PERMISSION					

9 8 7 6 5 4 3 2 1