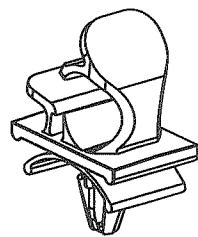
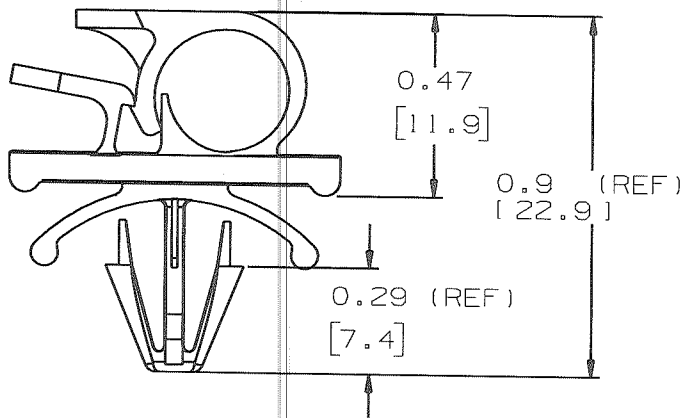
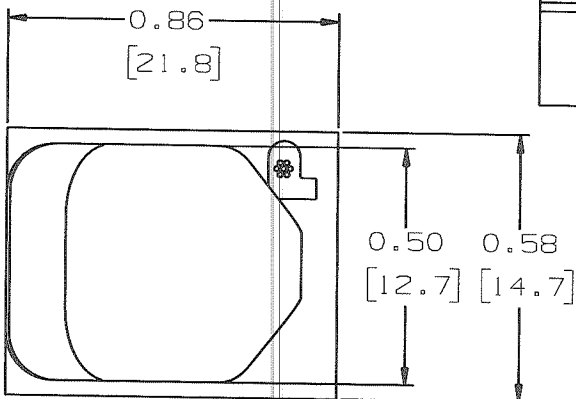


THIS COPY IS PROVIDED ON A RESTRICTED BASIS AND IS NOT TO BE USED IN ANY WAY DETRIMENTAL TO THE INTERESTS OF PANDUIT CORP.

| PANDUIT PART NUMBER* | MAXIMUM CABLE DIA.<br>in. (mm) | WEIGHT<br>lbs. (g)/100pcs | HOLE SIZE<br>DIA. RANGE | PANEL THK.<br>RANGE      |
|----------------------|--------------------------------|---------------------------|-------------------------|--------------------------|
| LWC25H25             | 0.25<br>[6.4]                  | 0.41<br>[186]             | 3/16"-1/4"<br>[5-6]     | 0.025-0.105<br>[0.6-2.7] |



SCALE: FULL

NOTES:  
\* 1) SEE CURRENT PRICE SHEET FOR PART NUMBER SUFFIX DESIGNATION, FOR PACKAGE SIZE.

DIMENSIONS IN BRACKETS ARE METRIC [mm]

CAD FILENAME/LAYERS  
G03597GK\_DC\_GB0165BA/00B

**PANDUIT** CORP. TINLEY PARK, ILLINOIS

LWC25H25, LATCHING WIRE CLIP

UNLESS OTHERWISE SPECIFIED,  
DIMENSIONAL TOLERANCES ARE:  
[.X] ±0.05 [1.3] [.XXX] ±0.010 [0.25]  
[.XX] ±0.02 [0.5] ANGLES ± 5°

UNLESS OTHERWISE SPECIFIED,  
ALL DIMENSIONS ARE GIVEN  
IN INCHES, THIRD ANGLE PROJECTION.

DRAWN BY  
KLN

MAT'L:

SCALE  
2X

DATE  
7/26/93

NYLON 6/6

DRAWING NO.

GB0165BA

DWG  
SIZE  
A

CHK'D  
KLN

| REV | DATE     | BY   | CHK | DESCRIPTION                               | ECN      | R   | CUST | SUP |
|-----|----------|------|-----|---|----------|-----|------|-----|
| 00B | 04-13-09 | GDH  | NJK | UPDATED PANEL THICKNESS RANGE CONVERSION  | GB0165BA | 00B | KLN  |     |
| 3   | 2-4-99   | CGSM |     | ADDED REF DIMENSIONS. UPDATED FILE NAME.  | GB0165BA | 3   |      |     |
| 2   | 10/20/95 | CBJ  |     | REVISED HOLE SIZE & PANEL THICKNESS RANGE | GB0165BA | 2   |      |     |
| 1   | 2/21/95  | KLN  |     | CORRECTED WEIGHT, WAS 1.88g NOW 186g      | GB0165BA | 1   |      |     |
| R   | 7/26/93  | KLN  |     | INITIAL RELEASE                           | GB0165BA | R   |      |     |