

**PLEASE CHECK WWW.MOLEX.COM FOR LATEST PART INFORMATION**

**Part Number:** [0399400317](#)  
**Status:** **Active**  
**Description:** 5.08mm (.200") Pitch Beau™ EuroMate™ Pluggable PCB Terminal Block, Dual Level, 270° Wire Entry, 17 Circuits

**Documents:**

[Drawing \(PDF\)](#) [RoHS Certificate of Compliance \(PDF\)](#)  
[Product Specification PS-39940-001 \(PDF\)](#)

**Agency Certification**

UL E48521

**General**

Product Family	Terminal Blocks
Series	<a href="#">39940</a>
Application	Wire-to-Board
Comments	Gold plating available
Component Type	Plug
Product Literature Order No	USA-264
Product Name	EuroMate™ Pluggable
Type	Euro Block

**Physical**

Circuits (Loaded)	17
Color - Resin	Black
Entry Angle	Horizontal
Flammability	94V-0
Lock to Mating Part	None
Material - Resin	Nylon
Number of Rows	2
Orientation	Vertical
Panel Mount	No
Pitch - Mating Interface (in)	0.200 In
Pitch - Mating Interface (mm)	5.08 mm
Polarized to Mating Part	Yes
Stackable	No
Temperature Range - Operating	130°C
Termination Interface: Style	Screw or Lug
Wire Size AWG	12, 14, 16, 18, 20, 22
Wire Size mm²	0.50 - 2.50

**Electrical**

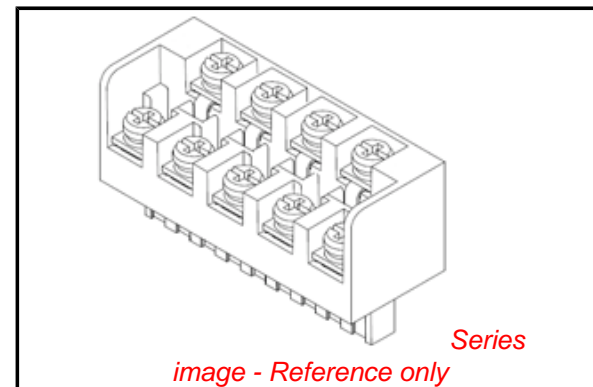
Current - Maximum per Contact	15A
Voltage - Maximum	300V

**Material Info**

Old Part Number	940917
-----------------	--------

**Reference - Drawing Numbers**

Product Specification	PS-39940-001
Sales Drawing	SD-39940-005



**EU RoHS**

**ELV and RoHS  
Compliant**  
**REACH SVHC**  
 Not Reviewed  
**Halogen-Free  
Status**  
 Not Reviewed

**China RoHS**



**Need more information on product  
environmental compliance?**

Email [productcompliance@molex.com](mailto:productcompliance@molex.com)  
 For a multiple part number RoHS Certificate of Compliance, [click here](#)

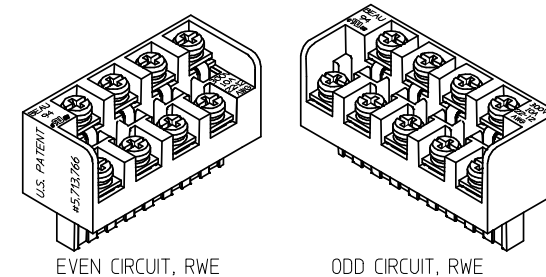
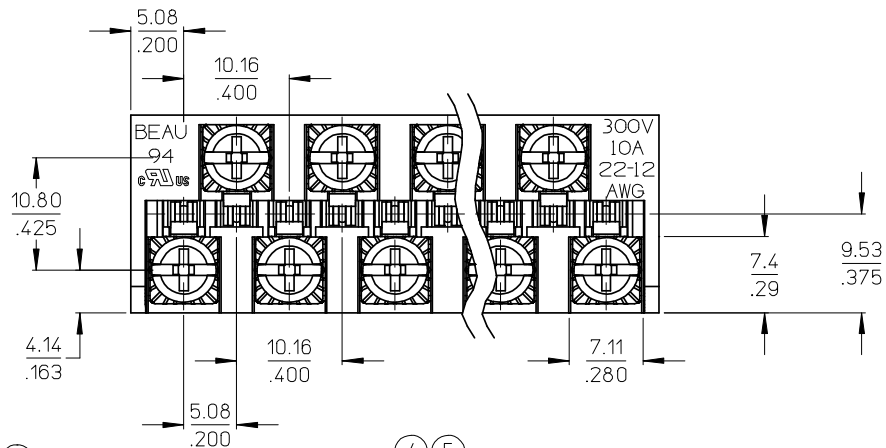
Please visit the [Contact Us](#) section for any non-product compliance questions.

**Search Parts in this Series**

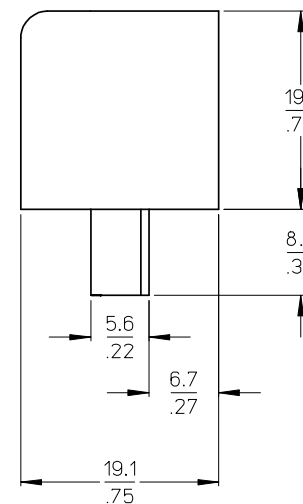
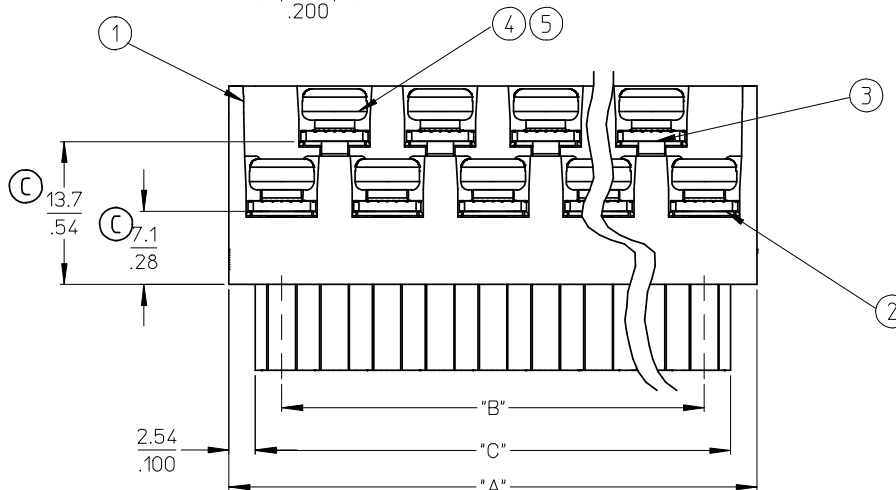
[39940Series](#)

**Mates With**

[39531-0017](#) , [39531-1017](#) , [39532-0017](#) ,  
[39532-1017](#)



AUXILIARY VIEWS  
SCALE 1:1



NOTES:

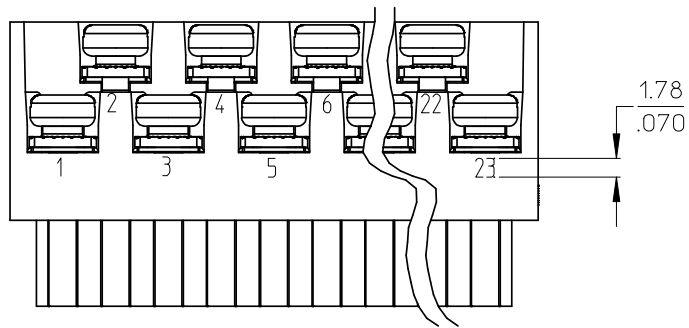
1. MATERIAL: SEE TABLE
2. FINISHES: SEE TABLE
3. PRODUCT SPECIFICATION: NOT REQUIRED
4. PACKAGING: NOT REQUIRED
5. MATES WITH: MOST 5.08 (.200) PIN HEADERS
6. "XX" REFERS TO THE QUANTITY OF CIRCUITS
7. ROHS COMPLIANT

ODD CIRCUIT CONFIGURATION SHOWN

ITEM	QTY. (EVEN NO. OF CIRCUITS)	QTY. (ODD NO. OF CIRCUITS)	DESCRIPTION	MATERIAL	FINISH
5	XX	XX	SCREW, M3.5 X .280	STEEL	ZINC CHROMATE
4	XX	XX	NUT, M3.5, HEX	STEEL	ZINC CHROMATE
3	XX/2	(XX-1)/2	REAR ROW TERM. (LONG)	PHOS. BRONZE	HOT TIN DIP
2	XX/2	(XX+1)/2	FRONT ROW TERM. (SHORT)	PHOS. BRONZE	HOT TIN DIP
1	1	1	BARRIER	THERMOPLASTIC	BLACK

REV	DESCRIPTION	QUALITY SYMBOLS	GENERAL TOLERANCES (UNLESS SPECIFIED)	DIMENSION STYLE	SCALE	DESIGN UNITS	THIRD ANGLE PROJECTION
REVIS	REVIS	REVIS	REVIS	REVIS	REVIS	REVIS	REVIS
REVISED & REDRAWN	EC NO: WNA2008-0391	DRWN: JENC INAS 2008/07/01	CH'KD: CYORK 2008/07/02	APPR: JMACNEIL 2008/07/07	MM/IN	2:1	INCH
4 PLACES	±---	±---	±---	DRAWN BY	DATE	TITLE	
3 PLACES	±---	±.005	±.005	J. FARMER	2004/12/03	5.08/.200 PLUG ASSY, FWE WITH CLOSED ENDS (9409XX)	
2 PLACES	±0.13	±.01	±.01	CHECKED BY	DATE	MOLEX INCORPORATED	
1 PLACE	±0.3	±---	±---	R. KEMP	2004/12/03	MATERIAL NO. SEE SHEET 2	
ANGULAR ± 2 °			APPROVED BY		DATE	DOCUMENT NO. SD-39940-005	
DRAFT WHERE APPLICABLE MUST REMAIN WITHIN DIMENSIONS			GHR		2004/12/03	SHEET NO. 1 OF 2	
THIS DRAWING CONTAINS INFORMATION THAT IS PROPRIETARY TO MOLEX INCORPORATED AND SHOULD NOT BE USED WITHOUT WRITTEN PERMISSION			SIZE B				

NO. OF CIRC. "XX"	"A" DIM.		"B" DIM.		"C" <sup>+0.00</sup> <sub>-.25</sub> [ <sup>+0.000</sup> <sub>-.010</sub> ]	MATERIAL NO. (STANDARD)	
03	20.3	[.80]	10.16	[.400]	15.2	[.60]	399400303
04	25.4	[1.00]	15.24	[.600]	20.3	[.80]	399400304
05	30.5	[1.20]	20.32	[.800]	25.4	[1.00]	399400305
06	35.6	[1.40]	25.40	[1.000]	30.5	[1.20]	399400306
07	40.6	[1.60]	30.48	[1.200]	35.6	[1.40]	399400307
08	45.7	[1.80]	35.56	[1.400]	40.6	[1.60]	399400308
09	50.8	[2.00]	40.64	[1.600]	45.7	[1.80]	399400309
10	55.9	[2.20]	45.72	[1.800]	50.8	[2.00]	399400310
11	61.0	[2.40]	50.80	[2.000]	55.9	[2.20]	399400311
12	66.0	[2.60]	55.88	[2.200]	61.0	[2.40]	399400312
13	71.1	[2.80]	60.96	[2.400]	66.0	[2.60]	399400313
14	76.2	[3.00]	66.04	[2.600]	71.1	[2.80]	399400314
15	81.3	[3.20]	71.12	[2.800]	76.2	[3.00]	399400315
16	86.4	[3.40]	76.20	[3.000]	81.3	[3.20]	399400316
17	91.4	[3.60]	81.28	[3.200]	86.4	[3.40]	399400317
18	96.5	[3.80]	86.36	[3.400]	91.4	[3.60]	399400318
19	101.6	[4.00]	91.44	[3.600]	96.5	[3.80]	399400319
20	106.7	[4.20]	96.52	[3.800]	101.6	[4.00]	399400320
21	111.8	[4.40]	101.60	[4.000]	106.7	[4.20]	399400321
22	116.9	[4.60]	106.68	[4.200]	111.8	[4.40]	399400322
23	121.9	[4.80]	111.76	[4.400]	116.8	[4.60]	399400323
24	127.0	[5.00]	116.84	[4.600]	121.9	[4.80]	399400324



OPTIONAL  
10A IMPRINTING  
(ODD CIRCUIT CONFIGURATION SHOWN)

SEE SHEET ONE EEC NO: WNA2008-0391 DRWN: JENCINAS 2008/07/01 CHKD: CYORK 2008/07/02 APPR: JMACNEIL 2008/07/07	QUALITY SYMBOLS ▽=0 ◻=0	GENERAL TOLERANCES (UNLESS SPECIFIED)		DIMENSION STYLE MM/IN	SCALE 2:1	DESIGN UNITS INCH	THIRD ANGLE PROJECTION	
		4 PLACES ± --- ± ---	mm INCH	DRAWN BY J. FARMER	DATE 2004/12/03	TITLE 5.08/.200 PLUG ASSY, FWE WITH CLOSED ENDS (9409XX)		
		3 PLACES ± --- ± .005		CHECKED BY R. KEMP	DATE 2004/12/03	MOLEX INCORPORATED		
		2 PLACES ± 0.13 ± .01		APPROVED BY GHR	DATE 2004/12/03	MATERIAL NO. SEE CHART	DOCUMENT NO. SD-39940-005	SHEET NO. 2 OF 2
		1 PLACE ± 0.3 ± ---		ANGULAR ± 2 °		DRAFT WHERE APPLICABLE MUST REMAIN WITHIN DIMENSIONS		
THIS DRAWING CONTAINS INFORMATION THAT IS PROPRIETARY TO MOLEX INCORPORATED AND SHOULD NOT BE USED WITHOUT WRITTEN PERMISSION								