

20

18

17

16

15

14

13

12

11

10

9

8

7

6

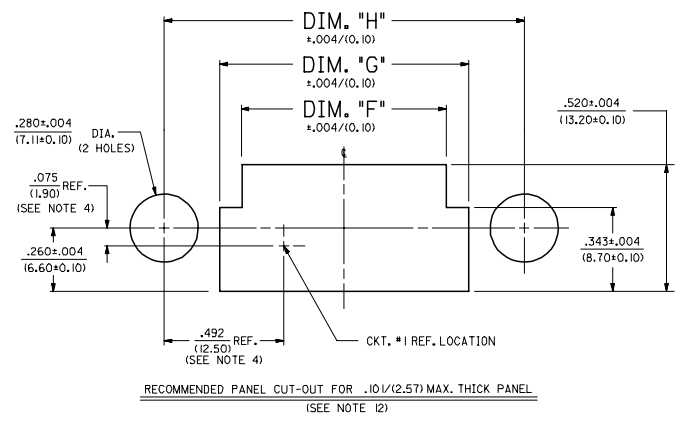
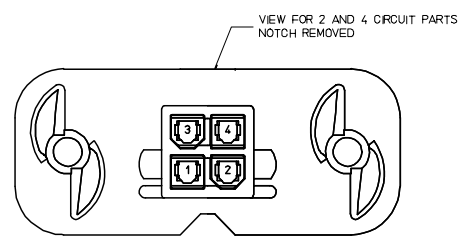
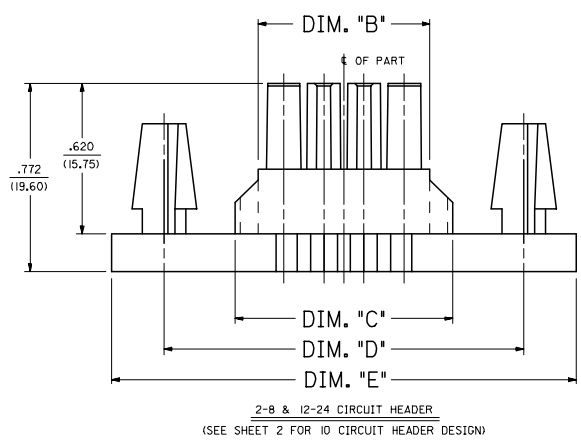
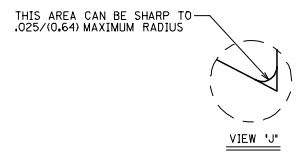
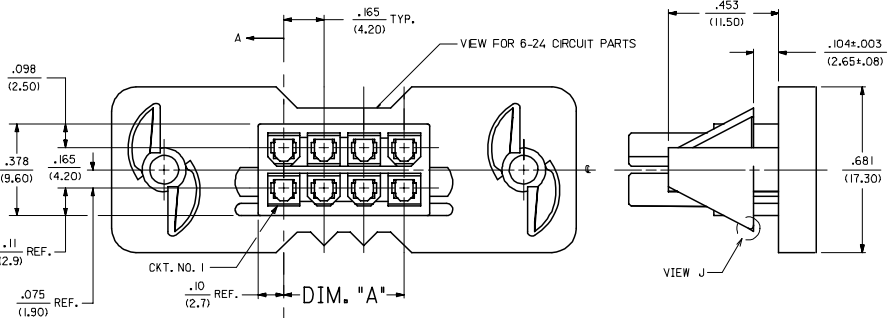
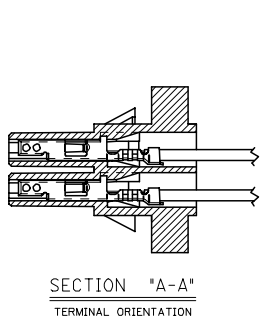
5

4

3

2

1



CKT. SIZE	DIM. "A"	DIM. "B"	DIM. "C"	DIM. "D"	DIM. "E"	DIM. "F"	DIM. "G"	DIM. "H"
2	N/A	.213 (5.40)	.398 (10.10)	.984 (25.00)	1.417 (36.00)	.343 (8.70)	.528 (13.40)	.984 (25.00)
4	.165 (4.20)	.318 (8.00)	.563 (14.30)	1.150 (29.20)	1.583 (40.20)	.509 (12.90)	1.150 (29.20)	1.150 (29.20)
6	.331 (8.40)	.543 (13.80)	.728 (18.50)	1.316 (33.40)	1.748 (44.40)	.673 (17.10)	1.316 (33.40)	1.316 (33.40)
8	.496 (12.60)	.709 (18.00)	.894 (22.70)	1.480 (37.60)	1.912 (48.60)	.839 (21.30)	1.480 (37.60)	1.480 (37.60)
10	.661 (16.80)	.874 (22.20)	1.059 (26.90)	1.645 (41.80)	2.078 (52.80)	1.004 (25.50)	1.645 (41.80)	1.645 (41.80)
12	.827 (21.00)	1.039 (26.40)	1.224 (31.10)	1.811 (46.00)	2.244 (57.00)	1.169 (29.70)	1.811 (46.00)	1.811 (46.00)
14	.992 (25.20)	1.205 (30.60)	1.390 (35.30)	1.976 (50.20)	2.409 (61.20)	1.335 (33.90)	1.976 (50.20)	1.976 (50.20)
16	1.157 (29.40)	1.370 (34.80)	1.555 (39.50)	2.142 (54.40)	2.575 (65.40)	1.500 (38.10)	2.142 (54.40)	2.142 (54.40)
18	1.323 (33.60)	1.535 (39.00)	1.720 (43.70)	2.307 (58.60)	2.740 (69.60)	1.665 (42.30)	2.307 (58.60)	2.307 (58.60)
20	1.488 (37.80)	1.701 (43.20)	1.886 (47.90)	2.472 (62.80)	2.906 (73.80)	1.831 (46.50)	2.472 (62.80)	2.472 (62.80)
22	1.653 (42.00)	1.866 (47.40)	2.051 (52.10)	2.638 (67.00)	3.071 (78.00)	1.996 (50.70)	2.638 (67.00)	2.638 (67.00)
24	1.819 (46.20)	2.031 (51.60)	2.217 (56.30)	2.803 (71.20)	3.236 (82.20)	2.161 (54.90)	2.803 (71.20)	2.803 (71.20)

- NOTES:**
- MATERIAL:  
 \*1 = NYLON 6/6, 94V-2, COLOR: NATURAL.  
 \*2 = NYLON 6/6, 94V-0, COLOR: NATURAL.  
 \*3 = NYLON 6/6, 94V-2, COLOR: BLACK.  
 \*4 = NYLON 6/6, 94V-0, COLOR: BLACK.
  - PART IS DESIGNED IN METRIC.
  - PART TO BE USED WITH MOLEX FEMALE TERMINAL \*5556.
  - THIS DIMENSION TO BE USED FOR ALIGNMENT OF THE MATING CONNECTOR.
  - THIS CONNECTOR ALLOWS FOR .050/(1.27) MAX. MISALIGNMENT IN ANY DIRECTION.  
 A MAXIMUM TOLERANCE OF .050/(1.27) ALLOWS FOR 2 POINTS OF ELECTRICAL CONTACT.  
 A MAXIMUM TOLERANCE OF .020/(.51) ALLOWS FOR 4 POINTS OF CONTACT.
  - PART MATES WITH MINI-FIT B.M.I. PLUG #42475, AND HEADERS 42404, 42440.
  - PRODUCT SPECIFICATION: PS-5556-002
  - CONNECTOR ASSEMBLIES ARE NOT TO BE MATED OR UNMATED WHILE CIRCUITS ARE LIVE.
  - PART TO BE USED WITH .101/(2.57) MAX. THICK PANEL
  - THIS PART IS INTENDED FOR ONE PANEL INSERTION ONLY. REMOVAL AND RE-INSERTION CAN DAMAGE THE MOUNTING SPIRALS.
  - PANEL SHOULD BE PUNCHED IN THE DIRECTION OF CONNECTOR INSERTION.
  - BOTH SPIRALS SHOULD BE INSERTED INTO THE PANEL AT THE SAME TIME. ROCKING THE PART INTO PLACE MAY CAUSE SPIRAL DAMAGE.
  - DUE TO HYGROSCOPIC NATURE OF NYLON, WATER IS ADDED TO THE PRODUCT PACKAGING.

**LEGEND:**

42474 - \*\* \* 2

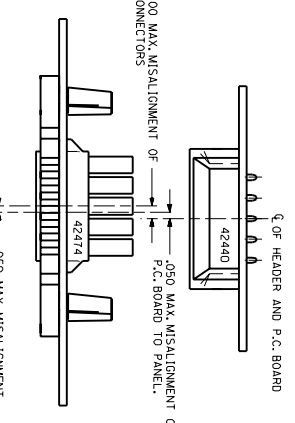
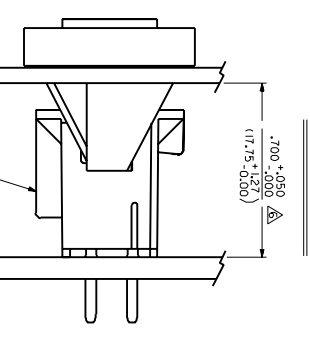
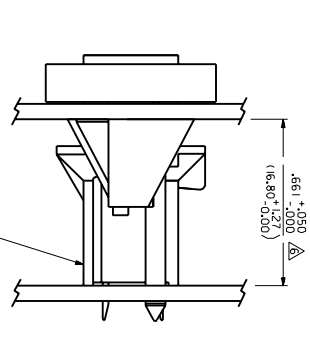
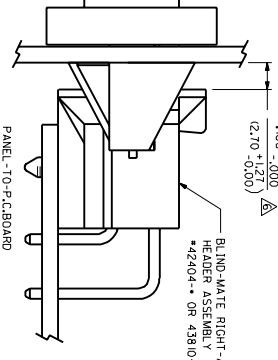
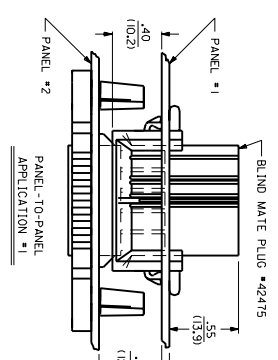
BASE NUMBER

CIRCUIT SIZE (02-24)

MATERIAL (SEE NOTE 1)

<b>ADDED 4 CKT VIEW</b> EC NO: UCP2006-0365 DRAWN/DRAWN DATE: 2005/08/15 CHKD/CHKD DATE: 2005/08/15 APPR./APPR DATE: JCONRELL 2005/08/16	<b>QUALITY SYMBOLS</b> ▽=0 ▽=0	<b>GENERAL TOLERANCES (UNLESS SPECIFIED)</b> <table border="1"> <tr> <th></th> <th>mm</th> <th>INCH</th> </tr> <tr> <td>4 PLACES</td> <td>± .15</td> <td>± .005</td> </tr> <tr> <td>3 PLACES</td> <td>± 0.15</td> <td>± .005</td> </tr> <tr> <td>2 PLACES</td> <td>± .30</td> <td>± .010</td> </tr> <tr> <td>1 PLACE</td> <td>± .30</td> <td>± .010</td> </tr> </table>		mm	INCH	4 PLACES	± .15	± .005	3 PLACES	± 0.15	± .005	2 PLACES	± .30	± .010	1 PLACE	± .30	± .010	<b>DIMENSION STYLE</b> IN/MM	<b>SCALE</b> 4:1	<b>DESIGN UNITS</b> METRIC	<b>THIRD ANGLE PROJECTION</b>
		mm	INCH																		
	4 PLACES	± .15	± .005																		
	3 PLACES	± 0.15	± .005																		
2 PLACES	± .30	± .010																			
1 PLACE	± .30	± .010																			
<b>DRAFT WHERE APPLICABLE MUST REMAIN WITHIN DIMENSIONS</b>	<b>SEE SHEET 2</b>	<b>MATERIAL NO.</b> SD-42474-***2	<b>DOCUMENT NO.</b> SD-42474-***2	<b>SHEET NO.</b> 1 OF 2	<b>PANEL MNT RECEPTACLE MINI-FIT BMI SERIES FOR 94 MAX. THICK PANEL   MOLEX INCORPORATED</b>																
THIS DRAWING CONTAINS INFORMATION THAT IS PROPRIETARY TO MOLEX INCORPORATED AND SHOULD NOT BE USED WITHOUT WRITTEN PERMISSION																					

PART NUMBER	ENG. NUMBER	QTY. SIZE	MATERIAL (SEE NOTE 1)	PART NUMBER	ENG. NUMBER	QTY. SIZE	MATERIAL (SEE NOTE 1)	ITEM NUMBER	QTY. SIZE	MATERIAL (SEE NOTE 1)	ITEM NUMBER	QTY. SIZE	MATERIAL (SEE NOTE 1)
NOT TOOLED	42474-0212	2	94V-2	NOT TOOLED	42474-0222	2	94V-0	NOT TOOLED	2	94V-2	NOT TOOLED	2	94V-0
NOT TOOLED	42474-0412	4	94V-2	NOT TOOLED	42474-0422	4	94V-0	NOT TOOLED	4	94V-2	NOT TOOLED	4	94V-0
NOT TOOLED	42474-0612	6	94V-2	NOT TOOLED	42474-0622	6	94V-0	NOT TOOLED	6	94V-2	NOT TOOLED	6	94V-0
NOT TOOLED	42474-0812	8	94V-2	NOT TOOLED	42474-0822	8	94V-0	NOT TOOLED	8	94V-2	NOT TOOLED	8	94V-0
NOT TOOLED	42474-1012	10	94V-2	NOT TOOLED	42474-1022	10	94V-0	NOT TOOLED	10	94V-2	NOT TOOLED	10	94V-0
NOT TOOLED	42474-1212	12	94V-2	NOT TOOLED	42474-1222	12	94V-0	NOT TOOLED	12	94V-2	NOT TOOLED	12	94V-0
NOT TOOLED	42474-1412	14	94V-2	NOT TOOLED	42474-1422	14	94V-0	NOT TOOLED	14	94V-2	NOT TOOLED	14	94V-0
NOT TOOLED	42474-1612	16	94V-2	NOT TOOLED	42474-1622	16	94V-0	NOT TOOLED	16	94V-2	NOT TOOLED	16	94V-0
NOT TOOLED	42474-1812	18	94V-2	NOT TOOLED	42474-1822	18	94V-0	NOT TOOLED	18	94V-2	NOT TOOLED	18	94V-0
NOT TOOLED	42474-2012	20	94V-2	NOT TOOLED	42474-2022	20	94V-0	NOT TOOLED	20	94V-2	NOT TOOLED	20	94V-0
NOT TOOLED	42474-2212	22	94V-2	NOT TOOLED	42474-2222	22	94V-0	NOT TOOLED	22	94V-2	NOT TOOLED	22	94V-0
NOT TOOLED	42474-2412	24	94V-2	NOT TOOLED	42474-2422	24	94V-0	NOT TOOLED	24	94V-2	NOT TOOLED	24	94V-0



ALIGNMENT TOLERANCES FOR .050 MAX. BOARD-TO-PANEL MISALIGNMENT (+.050 RECEPTACLE FLOAT)

**REVISIONS**

REV.	DATE	DESCRIPTION
1	12/08/00	SEE SHEET #1

**DIMENSIONS SHOWN UNLESS INDICATED OTHERWISE**

UNLESS OTHERWISE SPECIFIED: DIMENSIONS ARE IN INCHES

TOLERANCE	FINISH	UNIT
± .015	---	---
± .038	---	---
± .000	---	---

DATE: 12/08/00  
 SHEET NO.: 2  
 OF: 2  
 PART NO.: SD-42474-\*\*\*2  
 TITLE: PANEL-MOUNT RECEPTACLE, MINI-FIT B.M.I., SERIES FOR .094/12.40) MAX. THK. PANEL

**MOLEX INCORPORATED**  
 60320  
 25-3247426