

PLEASE CHECK WWW.MOLEX.COM FOR LATEST PART INFORMATION

Part Number: **0458300223**
Status: **Active**
Description: 1.20mm (.047") by 2.00mm (.079") Pitch HD Mezz™ Plug, 299 Circuits, 8.00mm (.315") Unmated Height, 23 Rows, Tin (Sn) Plating

Documents:

[3D Model](#) [Product Specification PS-45802-001 \(PDF\)](#)
[Drawing \(PDF\)](#) [RoHS Certificate of Compliance \(PDF\)](#)

Agency Certification

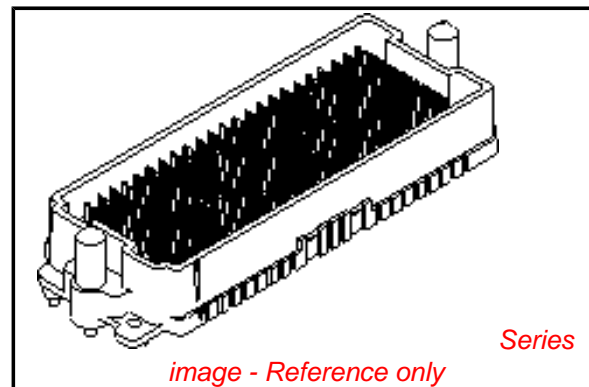
CSA LR19980
 UL E29179

General

Product Family PCB Headers
 Series 45830
 Application Board-to-Board
 Comments 1.20mm (.047") Pitch Pin-to-Pin and 2.00mm (.079") Pitch Row-to-Row
 Product Name HD Mezz™

Physical

Breakaway No
 Circuits (Loaded) 299
 Circuits (maximum) 299
 Circuits Detail 299
 Color - Resin Black
 Durability (mating cycles max) 100
 First Mate / Last Break No
 Flammability 94V-0
 Glow-Wire Compliant No
 Guide to Mating Part No
 Keying to Mating Part None
 Lock to Mating Part Yes
 Material - Metal High Performance Alloy (HPA)
 Material - Plating Mating Gold
 Material - Plating Termination Tin
 Material - Resin High Temperature Thermoplastic
 Number of Rows 23
 Orientation Vertical
 PCB Locator Yes
 PCB Retention Yes
 Packaging Type Tray
 Pitch - Mating Interface (in) 0.047 In
 Pitch - Mating Interface (mm) 1.20 mm
 Pitch - Term. Interface (in) 0.047 In
 Pitch - Term. Interface (mm) 1.20 mm
 Plating min: Mating (µin) 30
 Plating min: Mating (µm) 0.75
 Plating min: Termination (µin) 100
 Plating min: Termination (µm) 2.5
 Polarized to Mating Part Yes
 Polarized to PCB Yes
 Robotic Placement Vacuum Pick-Up Clip
 Shrouded Closed Ends
 Stackable No



EU RoHS

ELV and RoHS Compliant
REACH SVHC
 Not Reviewed
Halogen-Free Status
Not Reviewed

China RoHS



Need more information on product environmental compliance?

Email productcompliance@molex.com
 For a multiple part number RoHS Certificate of Compliance, [click here](#)

Please visit the [Contact Us](#) section for any non-product compliance questions.

Search Parts in this Series

45830Series

Mates With

45802 HD Mezz™ Receptacle

Surface Mount Compatible (SMC)	Yes
Temperature Range - Operating	-55°C to +105°C
Termination Interface: Style	Surface Mount

Electrical

Current - Maximum per Contact	2A
Voltage - Maximum	250V AC

Solder Process Data

Duration at Max. Process Temperature (seconds)	20
Lead-free Process Capability	Reflow Capable (SMT only)
Max. Cycles at Max. Process Temperature	2
Process Temperature max. C	260

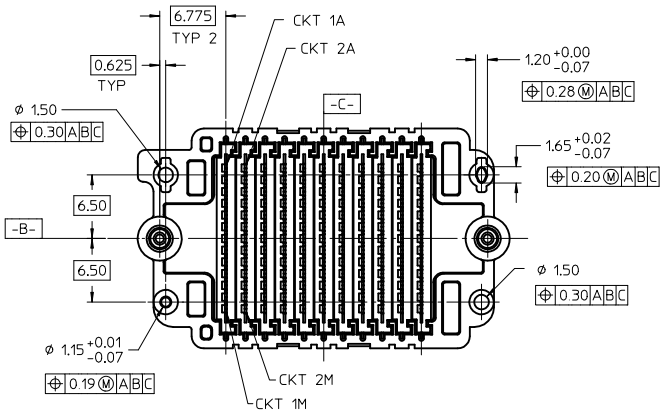
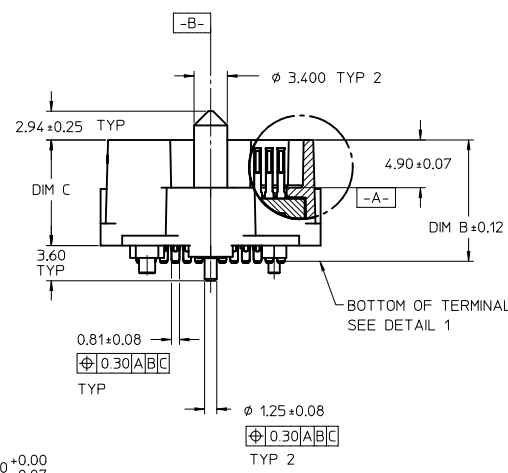
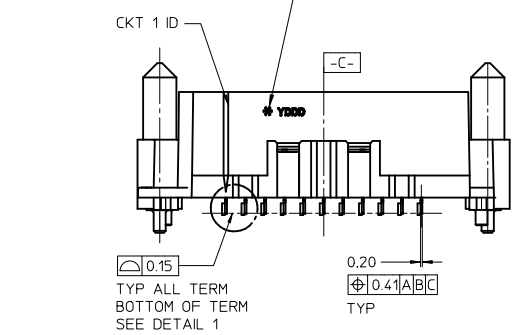
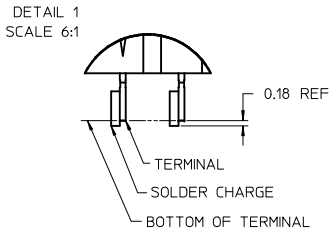
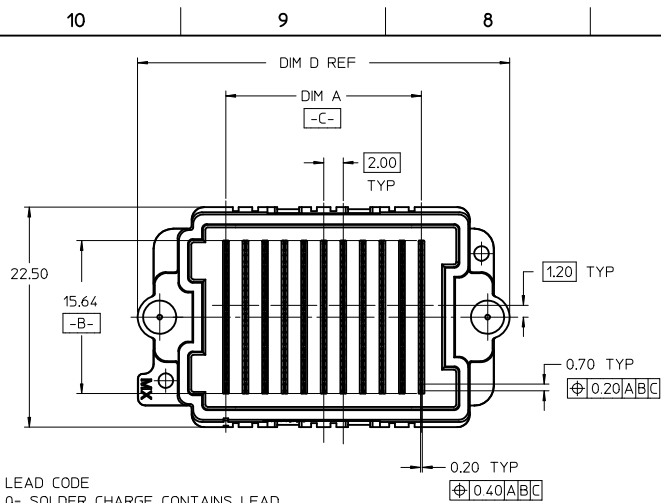
Material Info

Reference - Drawing Numbers

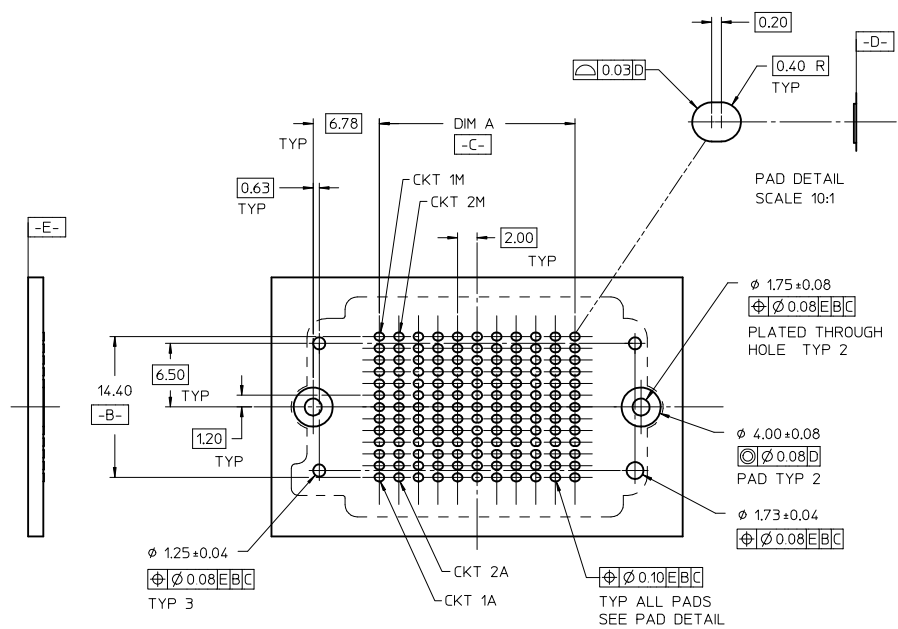
Product Specification	PS-45802-001
Sales Drawing	SD-45830-001

This document was generated on 04/12/2010

PLEASE CHECK WWW.MOLEX.COM FOR LATEST PART INFORMATION



- NOTES:
- HOUSING MATERIAL: LCP, GLASS FILLED, UL94V-0, BLACK
CONTACT MATERIAL: HIGH PERFORMANCE ALLOY
GUIDE PIN MATERIAL: STAINLESS STEEL
SOLDER CHARGE MATERIAL: TIN OR TIN/LEAD SEE CHART
 - CONTACT FINISH: SELECT GOLD: 30 MI MIN IN CONTACT AREA
SELECT TIN: 100 MI MIN IN TAIL AREA BOTH OVER NICKEL
 - PRODUCT SPECIFICATION: PS-45802-001
 - COSMETIC SPECIFICATION: PS-45499-002 CLASS B
 - PACKAGING SPECIFICATION: PK-45830-001
 - C- IS THE CENTERLINE OF THE 2 END SLOTS. END SLOT CENTERLINES ARE ESTABLISHED USING 2 MEASUREMENTS FOR EACH SLOT TAKEN 7.28 EITHER SIDE -B-



RECOMMENDED PCB LAYOUT: COMPONENT SIDE
PCB THICKNESS: NA

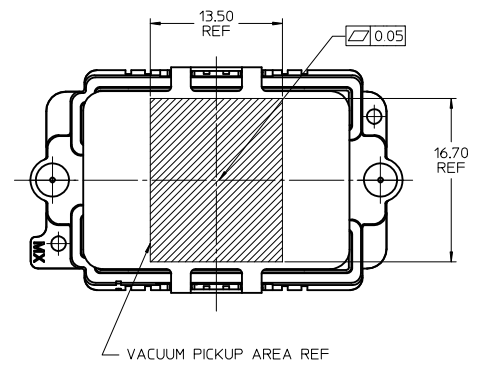
REV PER PART	DESCRIPTION
EC NO: UCP2008-0213	
DRWN:KSAMIEC	2007/10/30
CHKD:	2007/10/30
APPR: JCOMERCI	2007/10/30

GENERAL TOLERANCES (UNLESS SPECIFIED)	
	mm INCH
4 PLACES	± --- ± ---
3 PLACES	± 0.05 ± ---
2 PLACES	± 0.15 ± ---
1 PLACE	± 0.3 ± ---
ANGULAR ± 1/2°	
DRAFT WHERE APPLICABLE MUST REMAIN WITHIN DIMENSIONS	

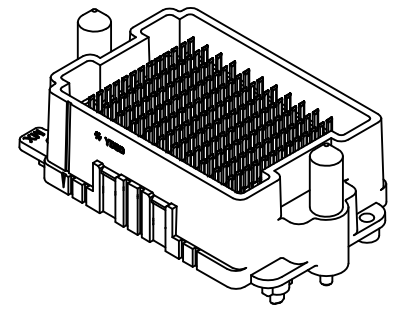
DIMENSION STYLE	
MM ONLY	
DRAWN BY	DATE
PELOZA	05/02/04
CHECKED BY	DATE
PELOZA	05/02/07
APPROVED BY	DATE
COMERCI	05/02/07
MATERIAL NO.	SEE CHART

SCALE	2:1	DESIGN UNITS	METRIC	THIRD ANGLE PROJECTION
TITLE				
HDMEZZ PLUG ASSEMBLY				
molex			MOLEX INCORPORATED	
DOCUMENT NO.			SD-45830-001	
SHEET NO.			1 OF 2	

		10	9	8	7	6	5	4	3	2	1		
F TIN / LEAD PARTS LEAD CODE = "0"	STACK HEIGHT:		8mm	9mm	10mm	11mm	12mm	13mm	14mm	15mm	17mm	18mm	
	DIM B		10.41	11.41	12.41	13.41	14.41	15.41	16.41	17.41	19.41	20.41	
	DIM C		8.80	9.80	10.80	11.80	12.80	13.80	14.80	15.80	17.80	18.80	
	ROWS	DIM A	DIM D	MATERIAL NO	MATERIAL NO	MATERIAL NO	MATERIAL NO	MATERIAL NO	MATERIAL NO	MATERIAL NO	MATERIAL NO	MATERIAL NO	
	7	12.00	30.06	45830-0007	45830-3007	45830-2007	45830-8007	45830-4007	45830-9007	45830-6007	45830-7007	45830-5007	45830-1007
	9	16.00	34.06	45830-0009	45830-3009	45830-2009	45830-8009	45830-4009	45830-9009	45830-6009	45830-7009	45830-5009	45830-1009
	11	20.00	38.06	45830-0011	45830-3011	45830-2011	45830-8011	45830-4011	45830-9011	45830-6011	45830-7011	45830-5011	45830-1111
	13	24.00	42.06	45830-0013	45830-3013	45830-2013	45830-8013	45830-4013	45830-9013	45830-6013	45830-7013	45830-5013	45830-1013
	15	28.00	46.06	45830-0015	45830-3015	45830-2015	45830-8015	45830-4015	45830-9015	45830-6015	45830-7015	45830-5015	45830-1015
	17	32.00	50.06	45830-0017	45830-3017	45830-2017	45830-8017	45830-4017	45830-9017	45830-6017	45830-7017	45830-5017	45830-1017
	19	36.00	54.06	45830-0019	45830-3019	45830-2019	45830-8019	45830-4019	45830-9019	45830-6019	45830-7019	45830-5019	45830-1019
	21	40.00	58.06	45830-0021	45830-3021	45830-2021	45830-8021	45830-4021	45830-9021	45830-6021	45830-7021	45830-5021	45830-1021
	23	44.00	62.06	45830-0023	45830-3023	45830-2023	45830-8023	45830-4023	45830-9023	45830-6023	45830-7023	45830-5023	45830-1023
25	48.00	66.06	45830-0025	45830-3025	45830-2025	45830-8025	45830-4025	45830-9025	45830-6025	45830-7025	45830-5025	45830-1025	
27	52.00	70.06	45830-0027	45830-3027	45830-2027	45830-8027	45830-4027	45830-9027	45830-6027	45830-7027	45830-5027	45830-1027	



		10	9	8	7	6	5	4	3	2	1		
D TIN PARTS LEAD CODE = "2"	STACK HEIGHT:		8mm	9mm	10mm	11mm	12mm	13mm	14mm	15mm	17mm	18mm	
	DIM B		10.41	11.41	12.41	13.41	14.41	15.41	16.41	17.41	19.41	20.41	
	DIM C		8.80	9.80	10.80	11.80	12.80	13.80	14.80	15.80	17.80	18.80	
	ROWS	DIM A	DIM D	MATERIAL NO	MATERIAL NO	MATERIAL NO	MATERIAL NO	MATERIAL NO	MATERIAL NO	MATERIAL NO	MATERIAL NO	MATERIAL NO	
	7	12.00	30.06	45830-0207	45830-3207	45830-2207	45830-8207	45830-4207	45830-9207	45830-6207	45830-7207	45830-5207	45830-1207
	9	16.00	34.06	45830-0209	45830-3209	45830-2209	45830-8209	45830-4209	45830-9209	45830-6209	45830-7209	45830-5209	45830-1209
	11	20.00	38.06	45830-0211	45830-3211	45830-2211	45830-8211	45830-4211	45830-9211	45830-6211	45830-7211	45830-5211	45830-1211
	13	24.00	42.06	45830-0213	45830-3213	45830-2213	45830-8213	45830-4213	45830-9213	45830-6213	45830-7213	45830-5213	45830-1213
	15	28.00	46.06	45830-0215	45830-3215	45830-2215	45830-8215	45830-4215	45830-9215	45830-6215	45830-7215	45830-5215	45830-1215
	17	32.00	50.06	45830-0217	45830-3217	45830-2217	45830-8217	45830-4217	45830-9217	45830-6217	45830-7217	45830-5217	45830-1217
	19	36.00	54.06	45830-0219	45830-3219	45830-2219	45830-8219	45830-4219	45830-9219	45830-6219	45830-7219	45830-5219	45830-1219
	21	40.00	58.06	45830-0221	45830-3221	45830-2221	45830-8221	45830-4221	45830-9221	45830-6221	45830-7221	45830-5221	45830-1221
	23	44.00	62.06	45830-0223	45830-3223	45830-2223	45830-8223	45830-4223	45830-9223	45830-6223	45830-7223	45830-5223	45830-1223
25	48.00	66.06	45830-0225	45830-3225	45830-2225	45830-8225	45830-4225	45830-9225	45830-6225	45830-7225	45830-5225	45830-1225	
27	52.00	70.06	45830-0227	45830-3227	45830-2227	45830-8227	45830-4227	45830-9227	45830-6227	45830-7227	45830-5227	45830-1227	



SEE SHEET 1 EC NO: UCP2008-0213 DRWN:KSAMIEC 2007/10/30 CHKD: 2007/10/30 APPR: JCOMERC 2007/10/30 REV DESCRIPTION	GENERAL TOLERANCES (UNLESS SPECIFIED)		DIMENSION STYLE MM ONLY		SCALE 2:1	DESIGN UNITS METRIC	THIRD ANGLE PROJECTION	
	4 PLACES	± ---	± ---	DRAWN BY PELOZA	DATE 05/02/04	TITLE HDMEZZ PLUG ASSEMBLY		
	3 PLACES	± 0.05	± ---	CHECKED BY	DATE			
	2 PLACES	± 0.15	± ---	PELOZA	05/02/07	MOLEX INCORPORATED		
	1 PLACE	± 0.3	± ---	APPROVED BY COMERC I	DATE 05/02/07			
ANGULAR ±1/2°		DRAFT WHERE APPLICABLE MUST REMAIN WITHIN DIMENSIONS		MATERIAL NO.	SEE CHART	DOCUMENT NO. SD-45830-001	SHEET NO. 2 OF 2	