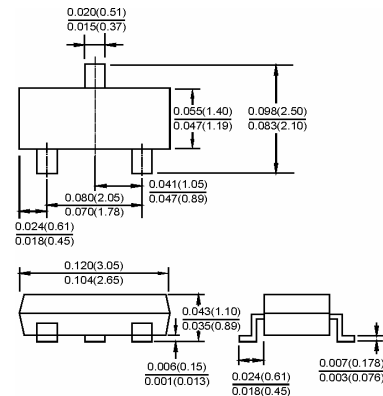

**SOT-23**


Dimensions in inches and (millimeters)

**Features**

- High speed switching:  $t_{rr}=4.0\text{ns(max)}$
- Low capacitance:  $C_T=2.5\text{pF(typ.)}$

**Applications**

- Small signal switching

**Ordering Information**

Type No.	Marking	Package Code
MMBD2835	A3●	SOT-23
MMBD2836	A41	SOT-23

**MAXIMUM RATING @  $T_a=25^\circ\text{C}$  unless otherwise specified**

Parameter	Symbol	Limits		Unit
		MMBD2835	MMBD2836	
Non-Repetitive Peak reverse voltage	$V_{RM}$	35	75	V
DC Reverse Voltage	$V_R$	30	50	V
Average rectified output Current	$I_o$	100		mA
Power Dissipation	$P_d$	150		mW
Junction temperature	$T_J$	125		$^\circ\text{C}$
Storage temperature	$T_{STG}$	-55-125		$^\circ\text{C}$

**ELECTRICAL CHARACTERISTICS @  $T_a=25^\circ\text{C}$  unless otherwise specified**

Parameter	Symbol	Min.	Typ.	Max.	Unit	Conditions
Forward voltage	$V_{F1}$		0.72	1.0	V	$I_R=10\text{mA}$
	$V_{F2}$		0.88	1.1	V	$I_R=50\text{mA}$
	$V_{F3}$		1.0	1.2	V	$I_F=100\text{mA}$
Reverse current	$I_R$			0.1	$\mu\text{A}$	$V_R=30\text{V}$ MMBD2835
	$I_R$			0.1	$\mu\text{A}$	$V_R=50\text{V}$ MMBD2836
Capacitance between terminals	$C_T$			4	pF	$V_R=0, f=1\text{MHz}$
Reverse Recovery Time	$t_{rr}$		2.5	4	ns	$I_F=10\text{mA}, V_R=6\text{V}, I_{rr}=0.1 \cdot I_R, R_L=100\Omega$

**TYPICAL CHARACTERISTICS @  $T_a=25^\circ\text{C}$  unless otherwise specified**
