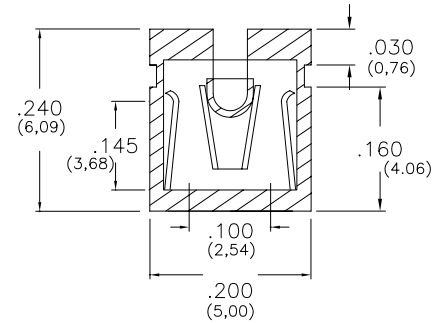
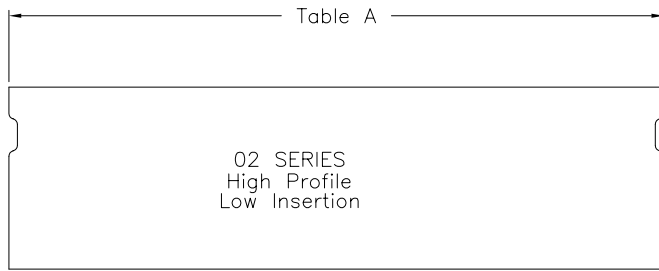
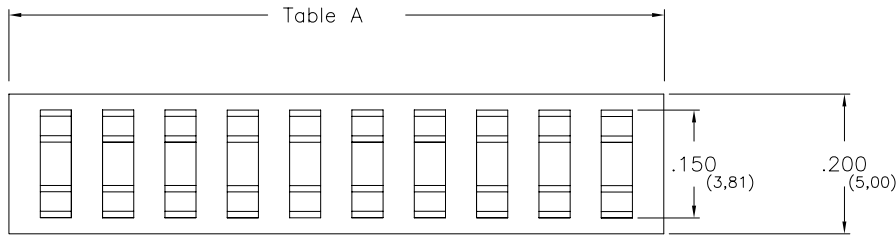


# Major League Electronics .100 cl Multi Shunt



## Ordering Information

MSH-1  - 01 -  - LF

Lead Free

Plating Options	
- Matte Tin all Over	T
- 10 $\mu$ Gold on Contact area/Flash on Tail	G

Shunt Style

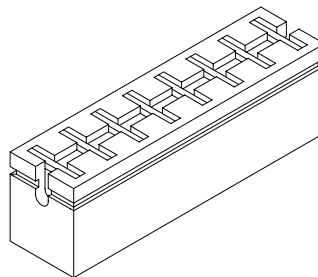
No. of Shunts	Dim. A
02	.200
03	.300
04	.400
05	.500
06	.600
07	.700
08	.800
09	.900
10	1.000

### Specifications

Current Rating: 3.0 Ampere  
 Insulation Resistance: 1000M $\Omega$  Min.  
 Dielectric Withstanding: 600V AC  
 Contact Resistance: 20 m $\Omega$  Max.  
 Operating Temperature: -40°C to + 105°C  
 Max. Process Temperature:  
 Peak: 260°C up to 10 secs.  
 Process: 230°C up to 60 secs.  
 Wave: 260°C up to 6 secs.  
 Manual Solder: 350°C up to 5 secs.

### Materials

Contact Material: Phosphor Bronze  
 Insulator Material: Nylon 6T



Products cut to specific sizes are uncancellable/nonreturnable

Parts are subject to change without notice

MSH-1-01 SERIES

.100 cl Multi Shunt

17 JAN 07

Scale  
NTS

UNLESS OTHERWISE SPECIFIED  
DIMENSIONS IN INCHES (MM)  
TOLERANCES ARE:

ONE PLACE DECIMALS  $\pm$ .100  
 TWO PLACE DECIMALS  $\pm$ .010  
 THREE PLACE DECIMALS  $\pm$ .005  
 FOUR PLACE DECIMALS  $\pm$ .0020  
 ANGLES  
 $\pm$ 5°



4235 Earnings Way, New Albany, Indiana, 47150, USA  
 1-800-782-3486 (USA/Canada/Mexico)  
 Tel: 812-944-7244  
 Fax: 812-944-7268  
 E-mail: mle@mlelectronics.com  
 Web: www.mlelectronics.com

Revision  
B

Sheet  
1/2

