



SMA Female Press In Connector Solder Attachment
Tab Terminal, .200 inch Diameter

TECHNICAL DATA SHEET

PE44240

SMA Female Press In Connector Solder Attachment Tab Terminal, .200 inch Diameter

Configuration

Connector	SMA Female
Connector Specification	MIL-C-39012
Connector Interface Type	Tab
Cable Attachment Method (Shield/Contact)	Solder
Body Style	Straight
Mount Method	Press In

Electrical Specifications

Impedance, Ohms	50
-----------------	----

Mechanical Specifications

Temperature

Operating Range, deg C	-65 to +165
------------------------	-------------

Size

Length, in [mm]	0.45 [11.43]
Width/Dia., in [mm]	0.25 [6.35]
Weight, lbs [g]	0.004 [1.81]

Connector

Type	SMA Female
Contact Material and Plating	Gold
Contact Plating Specification	MIL-G-45204
Body Material and Plating	Brass, Gold
Body Plating Specification	MIL-G-45204
Dielectric Type	Teflon

Compliance Certifications (visit www.Pasternack.com for current document)

RoHS Compliant	Yes
----------------	-----

Click the following link (or enter part number in "SEARCH" on website) to obtain additional part information including price, inventory and certifications: [SMA Female Press In Connector Solder Attachment Tab Terminal, .200 inch Diameter PE44240](#)

The information contained in this document is accurate to the best of our knowledge and representative of the part described herein. It may be necessary to make modifications to the part and/or the documentation of the part, in order to implement improvements. Pasternack reserves the right to make such changes as required. Unless otherwise stated, all specifications are nominal.





SMA Female Press In Connector Solder Attachment
Tab Terminal, .200 inch Diameter

TECHNICAL DATA SHEET

PE44240

Plotted and Other Data

Notes:

Values at 25 °C, sea level

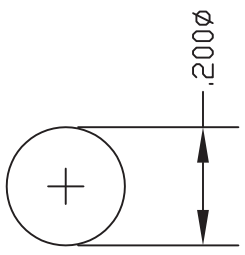
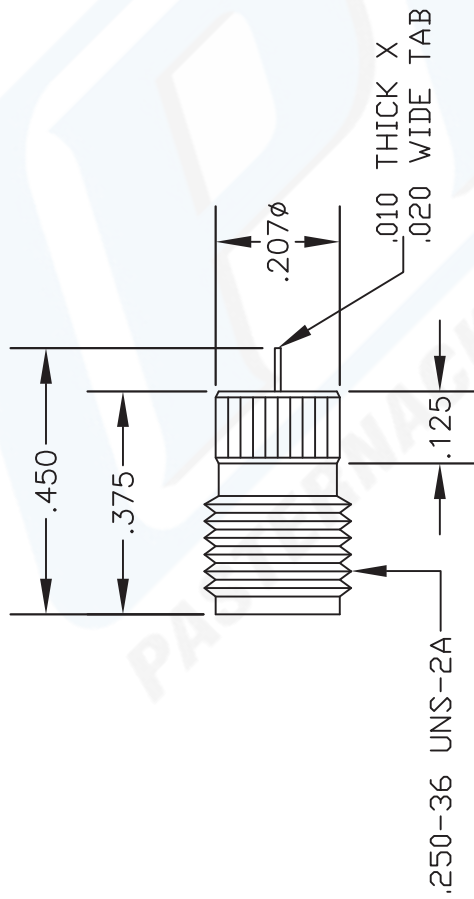
SMA Female Press In Connector Solder Attachment Tab Terminal, .200 inch Diameter from Pasternack Enterprises has same day shipment for domestic and International orders. Our RF, microwave and fiber optic products maintain a 99% availability and are part of the broadest selection in the industry.

Click the following link (or enter part number in "SEARCH" on website) to obtain additional part information including price, inventory and certifications: [SMA Female Press In Connector Solder Attachment Tab Terminal, .200 inch Diameter PE44240](#)

URL: <http://www.pasternack.com/sma-female-standard-tab-terminal-connector-pe44240-p.aspx>

The information contained in this document is accurate to the best of our knowledge and representative of the part described herein. It may be necessary to make modifications to the part and/or the documentation of the part, in order to implement improvements. Pasternack reserves the right to make such changes as required. Unless otherwise stated, all specifications are nominal.

MATERIALS	
BODY	BRASS GOLD PLATED
CONTACT	GOLD PLATED
INSULATOR	PTFE



MOUNTING HOLE



PASTERNAK ENTERPRISES, INC.
 P O BOX 16759, IRVINE, CA 92623
 PHONE (949) 261-1920 FAX (949) 261-7451
 WEB ADDRESS: www.pasternack.com
 E-MAIL ADDRESS: sales@pasternack.com
COAXIAL & FIBER OPTICS

DWG TITLE		DES.	
PE44240		SMA FEMALE, PRESS MOUNT .010 x .020" TAB CONTACT	
SIZE A	FSCM NO. 53919	CAD FILE	SCALE N/A
		070202	127

NOTES:

1. UNLESS OTHERWISE SPECIFIED ALL DIMENSIONS ARE NOMINAL.
2. ALL SPECIFICATIONS ARE SUBJECT TO CHANGE WITHOUT NOTICE AT ANY TIME.