

FUSEHOLDERS

PCB mount

FAB

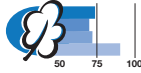
for 5 × 20 mm

Fuseholder Type FAB

horizontal
shocksafe category PC2



0031.3558



- bayonet type fuse carrier, slotted
- with or without "kicked" PCB-terminals
- degree of protection IP40 from front-side, according to IEC 60529
- suitable for equipment with protection classes I and II according to IEC 60536

Technical data

- Rated voltage: 250 V
- Rated current: 10 A
- Rated power acceptance at ambient air temperature T_a 23 °C: 2 W
- Power acceptance at higher T_a : see derating curves
Take note of the information on pages 215–219
- Allowable ambient air temperatures T_a for accessible parts: -40 °C to +85 °C
- Contact resistance: 5 mΩ
- Dielectric strength: > 4 kV, 50 Hz, 1 Min.*
- Insulation resistance (500 V DC/1 Min): > 103 MΩ
- Solderability: 235 °C/2 s, according to IEC 60068-2-20, test Ta, method 1
- Resistance to soldering heat: 350 °C/5 s, according to IEC 60068-2-20, test Tb, method 1B
- Materials
socket: thermoset, UL 94 V-0
fuse carrier: thermoplastic, UL 94 V-0

* between metal mounting plate and live parts

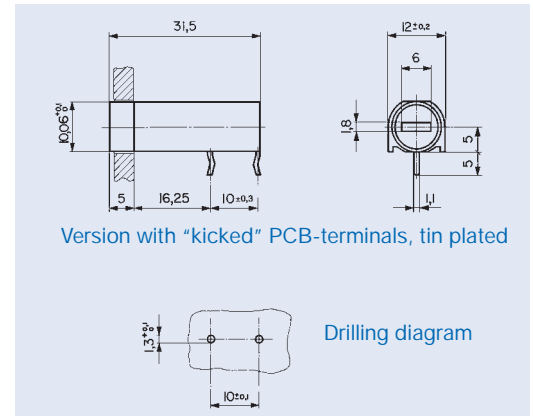
Standards

IEC 60127-6
EN 60127-6
UL 512, CSA C22.2-39

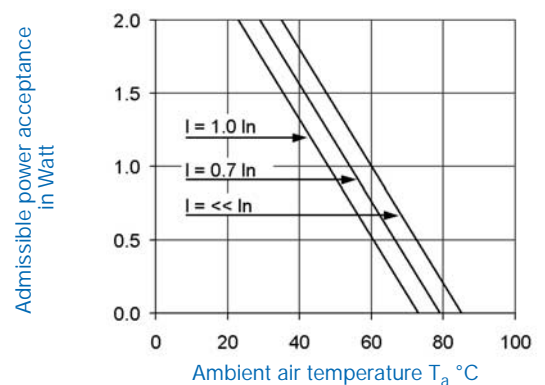
Approvals, Patents

SEV (10 A/250 V) UL (12 A/250 V)
 VDE (10 A/250 V) CSA (10 A/250 V)
 SEMKO (10 A/250 V)

Patents in U.S. (No. 4,072,385) and in further countries



Derating curve



| Order No. | | Fuse carrier |
|-----------|---|--------------|
| 0031.3551 | Fuseholder complete, with straight terminals, black | slotted |
| 0031.3558 | Fuseholder complete, with kicked terminals, black | slotted |
| 0031.3555 | Fuse carrier, bayonet, black | slotted |

Accessories see page 183