

PLEASE CHECK WWW.MOLEX.COM FOR LATEST PART INFORMATION

Part Number: [0510520900](#)
Status: **Active**
Description: 2.50mm (.098") Pitch Cable Holder, Vertical, for Ribbon Cable, 9 Circuits

Documents:

3D Model	Product Specification PS-51052-002 (PDF)
Drawing (PDF)	RoHS Certificate of Compliance (PDF)
Product Specification PS-51052-001 (PDF)	

General

Product Family	Ribbon Cable / Wire Trap Connectors
Series	51052
Component Type	One Piece
Glow-Wire Compliant	No
Product Name	Board-In, Cable Holder

Physical

Circuits (Loaded)	9
Color - Resin	Natural
Entry Angle	Vertical
Lock to Mating Part	None
Material - Resin	Nylon
Number of Rows	1
PCB Retention	Yes
PCB Thickness Recommended (in)	0.062 In
PCB Thickness Recommended (mm)	1.60 mm
Packaging Type	Bag
Pitch - Mating Interface (in)	0.098 In
Pitch - Mating Interface (mm)	2.50 mm
Polarized to Mating Part	N/A
Polarized to PCB	No
Stackable	No
Surface Mount Compatible (SMC)	No
Temperature Range - Operating	-40°C to +105°C
Wire Insulation Diameter	1.70mm (.067") max.
Wire Size AWG	24, 26
Wire/Cable Type	Ribbon Cable

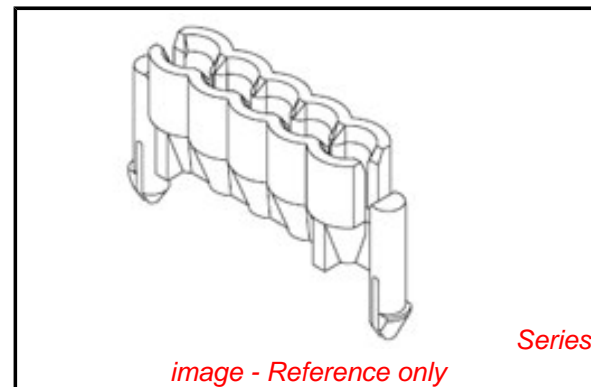
Electrical

Current - Maximum per Contact	N/A
Voltage - Maximum	N/A

Material Info

Reference - Drawing Numbers

Product Specification	PS-51052-001, PS-51052-002, RPS-51052-003
Sales Drawing	SD-51052-001



EU RoHS

ELV and RoHS Compliant
REACH SVHC Contains SVHC: No
Halogen-Free Status
Not Reviewed

China RoHS



Need more information on product environmental compliance?

Email productcompliance@molex.com
 For a multiple part number RoHS Certificate of Compliance, [click here](#)

Please visit the [Contact Us](#) section for any non-product compliance questions.

Search Parts in this Series

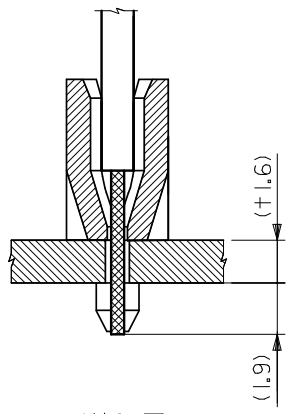
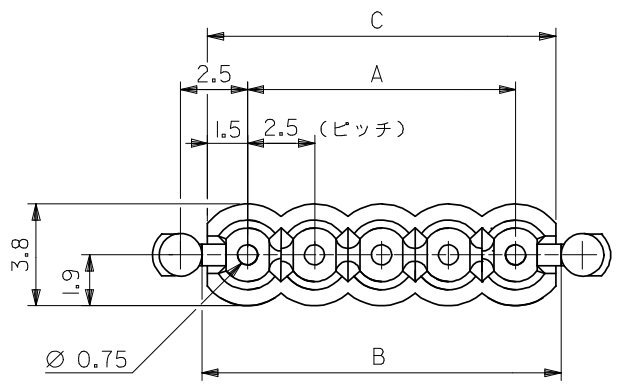
[51052Series](#)

Mates With

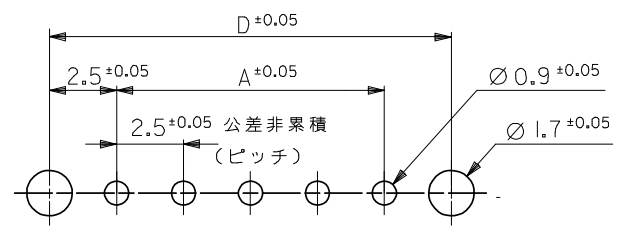
N/A

Use With

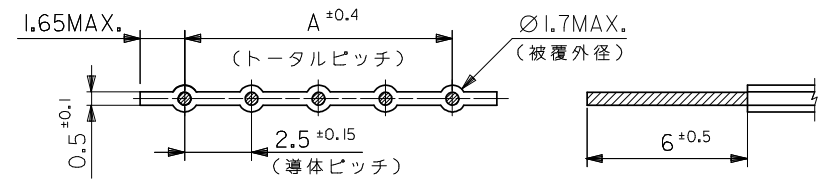
Topcoated ribbon cable



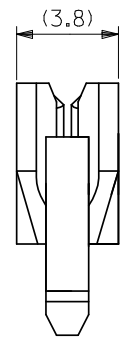
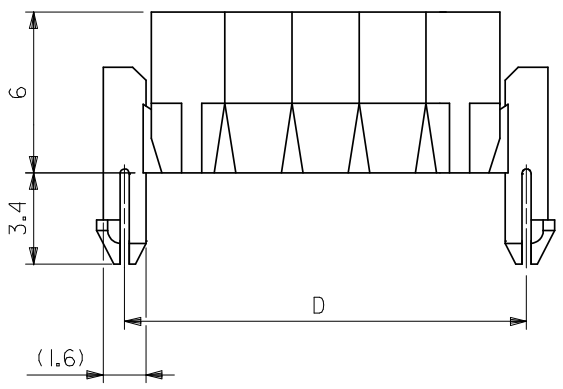
電線挿入図



基板取付穴推奨寸法
(+1.6±0.05)



適合電線推奨寸法

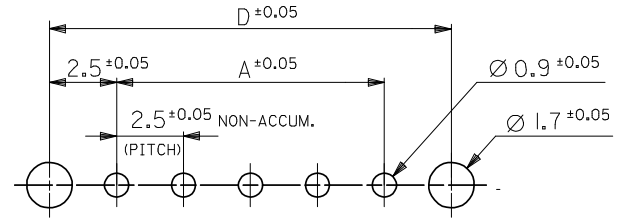
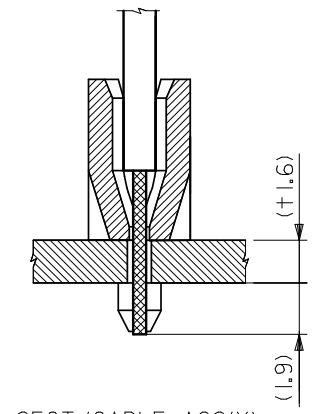
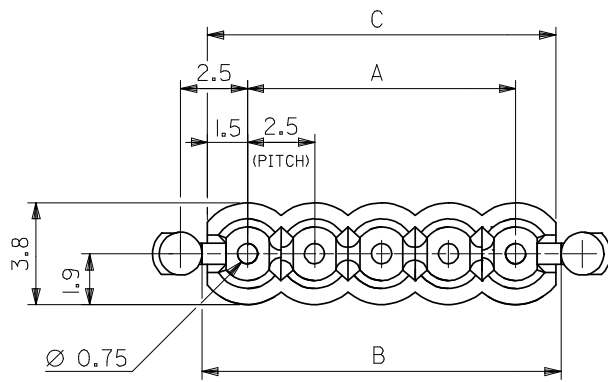


注記

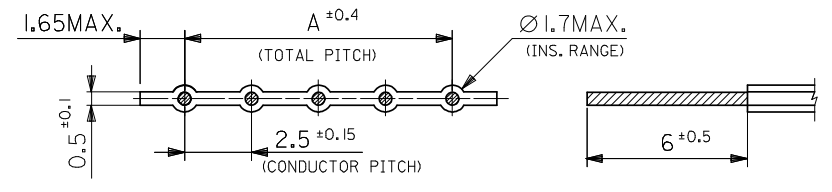
1. 材料：ナイロン66, UL 94V-2
2. 適合電線：2.5mmピッチリボンケーブル
AWG #24 ~ 26 錫コート平行線
3. 生産国 (トレードマーク)：日本 (MXJ-大和, MXH-塩谷)
マレーシア (MXL)

42.5	40.5	40.9	37.5	VO	51052-1600	16
40.0	38.0	38.4	35.0	VO	1500	15
37.5	35.5	35.9	32.5	VO	1400	14
35.0	33.0	33.4	30.0	VO	1300	13
32.5	30.5	30.9	27.5	VO	1200	12
30.0	28.0	28.4	25.0	VO	1100	11
27.5	25.5	25.9	22.5	VO	1000	10
25.0	23.0	23.4	20.0	VO	0900	9
22.5	20.5	20.9	17.5	VO	0800	8
20.0	18.0	18.4	15.0	VO	0700	7
17.5	15.5	15.9	12.5	VO	0600	6
15.0	13.0	13.4	10.0	VO	0500	5
12.5	10.5	10.9	7.5	VO	0400	4
10.0	8.0	8.4	5.0		-0300	3
7.5	5.5	5.9	2.5	VO	51052-0200	2
D	C	B	A		ENG. NO.	極数

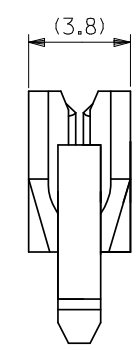
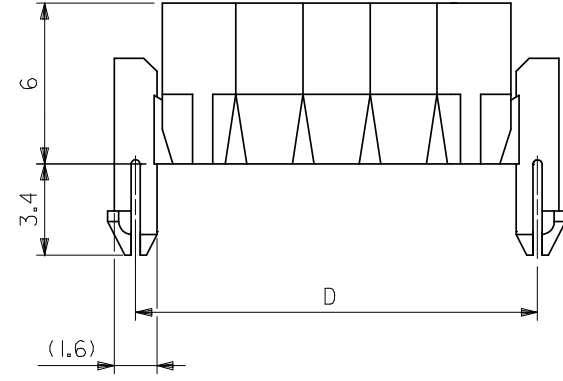
REVISED EC NO: J2008-2948 DRW: NAKAMURAA 2008/03/31 CHK: T. HARUYAMA 2008/04/22 APPR: NUKITA 2008/06/03	GENERAL TOLERANCES (UNLESS SPECIFIED)		DIMENSION STYLE MM ONLY		SCALE 5:1	DESIGN UNITS METRIC	THIRD ANGLE PROJECTION
	10 UNDER	±0.2	DRAWN BY T. ITOH		TITLE 2.5MM PITCH CABLE HOLDER (FOR 6 MM STRIP LENGTH)		
	10 OVER 30 UNDER	±0.25	CHECKED BY M. FUKUSHIMA		DATE '97/7/4		
	30 OVER	±0.3	APPROVED BY M. FUKUSHIMA		DATE '97/7/4		
	ANGULAR	±3°	MATERIAL NO.		DOCUMENT NO.		SHEET NO.
DRAFT WHERE APPLICABLE MUST REMAIN WITHIN DIMENSIONS		SEE TABLE		SD-51052-001		1 OF 2	
THIS DRAWING CONTAINS INFORMATION THAT IS PROPRIETARY TO MOLEX INCORPORATED AND SHOULD NOT BE USED WITHOUT WRITTEN PERMISSION							



RECOMMENDED P.C. BOARD HOLE DIM.
($\pm 1.6 \pm 0.05$)



RECOMMENDED WIRE DIM.



NOTES

- MATERIAL : NYLON 66, UL 94V-2
- APPLIED WIRE : 2.5mm PITCH RIBBON CABLE
AWG#24~26
TIN TOP COATED WIRE
- PLACE OF MANUFACTURE (TRADE-MARK) :
JAPAN (MXJ-YAMATO, MXH-SHIOYA)
MALAYSIA (MXL)

42.5	40.5	40.9	37.5	VO	51052-1600	16
40.0	38.0	38.4	35.0	VO	1500	15
37.5	35.5	35.9	32.5	VO	1400	14
35.0	33.0	33.4	30.0	VO	1300	13
32.5	30.5	30.9	27.5	VO	1200	12
30.0	28.0	28.4	25.0	VO	1100	11
27.5	25.5	25.9	22.5	VO	1000	10
25.0	23.0	23.4	20.0	VO	0900	9
22.5	20.5	20.9	17.5	VO	0800	8
20.0	18.0	18.4	15.0	VO	0700	7
17.5	15.5	15.9	12.5	VO	0600	6
15.0	13.0	13.4	10.0	VO	0500	5
12.5	10.5	10.9	7.5	VO	0400	4
10.0	8.0	8.4	5.0		-0300	3
7.5	5.5	5.9	2.5	VO	51052-0200	2
D	C	B	A		ENG. NO.	CKT.

REVISED EC NO: J2008-2948 DRW: NAKAMURAA 2008/03/31 CHKD: T. HARUYAMA 2008/04/22 APPR: NUKITA 2008/06/03	GENERAL TOLERANCES (UNLESS SPECIFIED)		DIMENSION STYLE MM ONLY		SCALE 5:1	DESIGN UNITS METRIC	THIRD ANGLE PROJECTION
	10 UNDER	±0.2	DRAWN BY T. ITOH		TITLE 2.5MM PITCH CABLE HOLDER (FOR 6MM STRIP LENGTH)		
	10 OVER 30 UNDER	±0.25	CHECKED BY M. FUKUSHIMA		DATE '97/7/4		
	30 OVER	±0.3	APPROVED BY M. FUKUSHIMA		DATE '97/7/4		
	ANGULAR ±3°		DRAFT WHERE APPLICABLE MUST REMAIN WITHIN DIMENSIONS		MATERIAL NO. SEE TABLE		DOCUMENT NO. SD-51052-001
				SIZE A3	THIS DRAWING CONTAINS INFORMATION THAT IS PROPRIETARY TO MOLEX INCORPORATED AND SHOULD NOT BE USED WITHOUT WRITTEN PERMISSION		