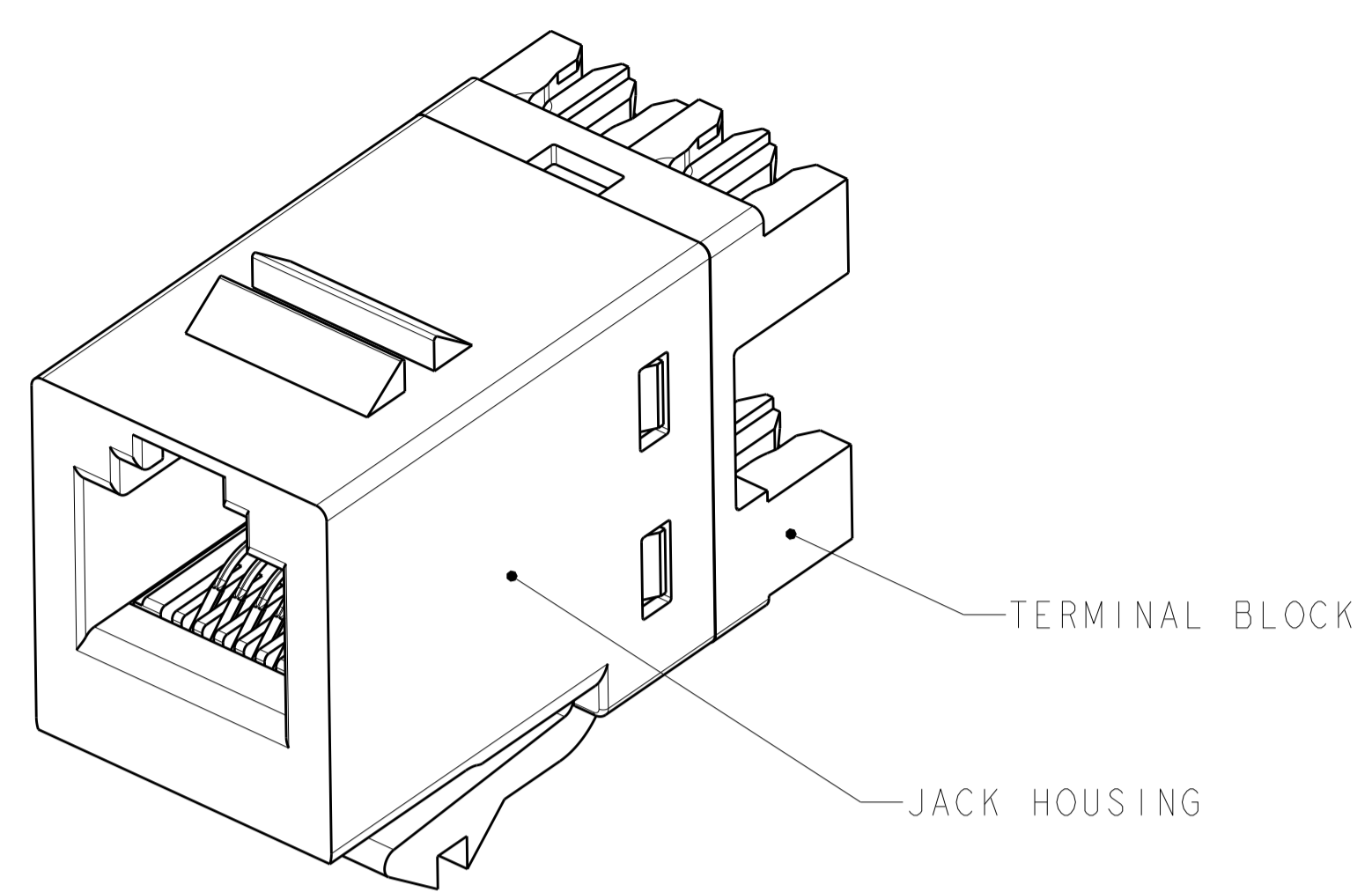
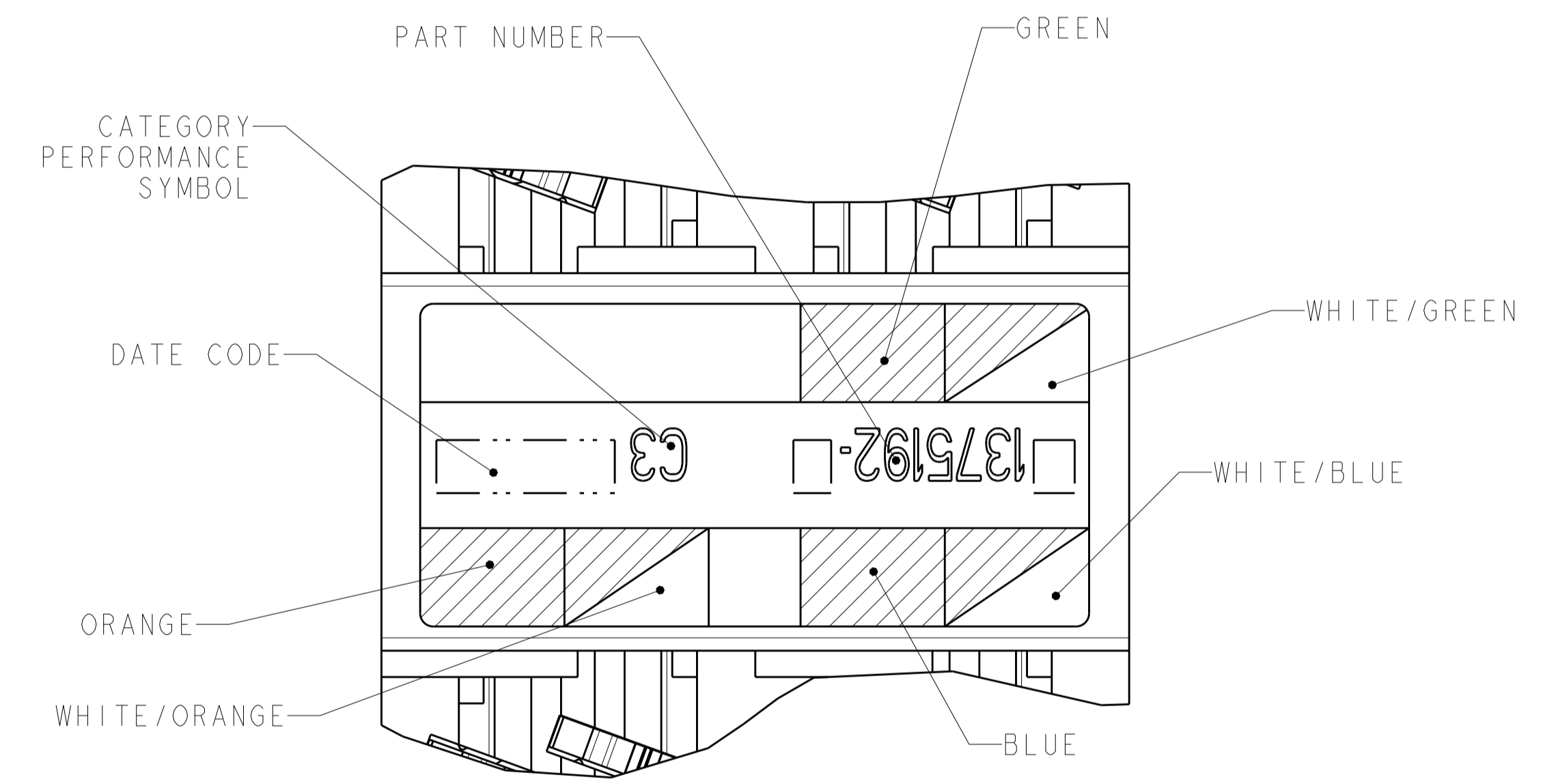
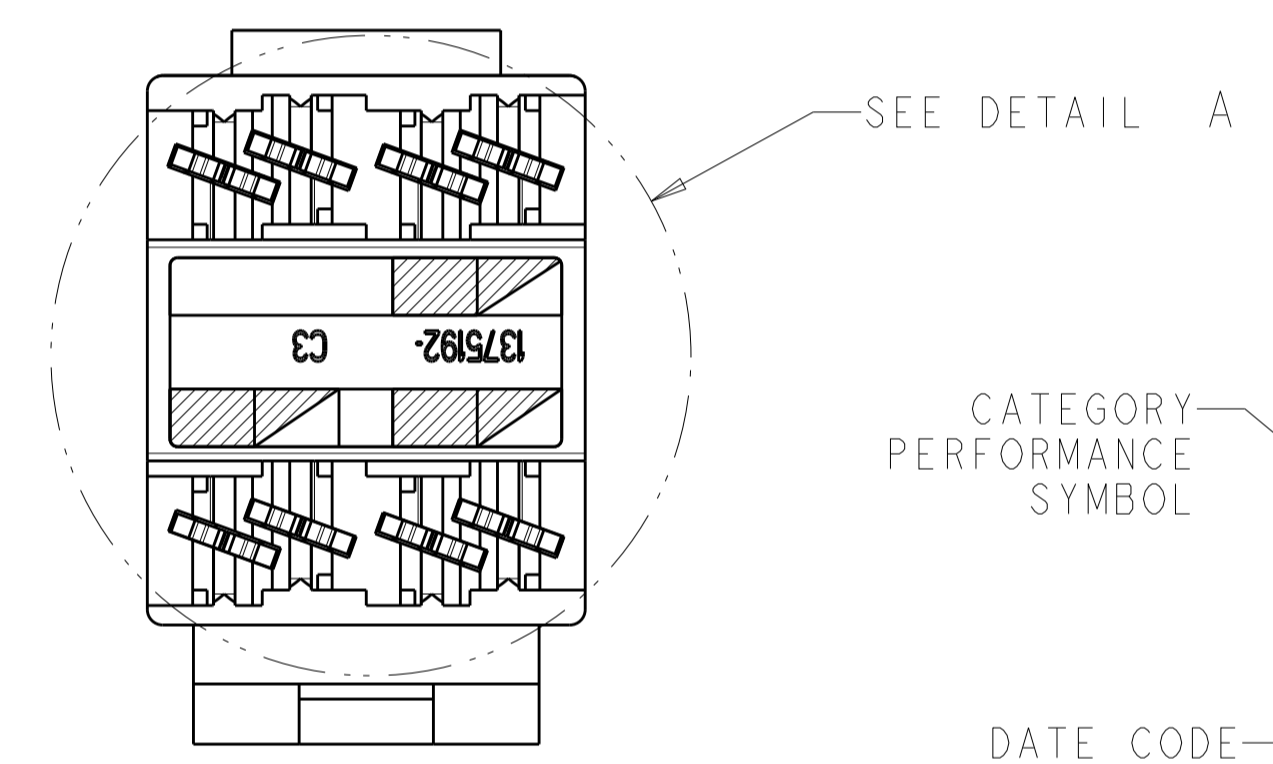
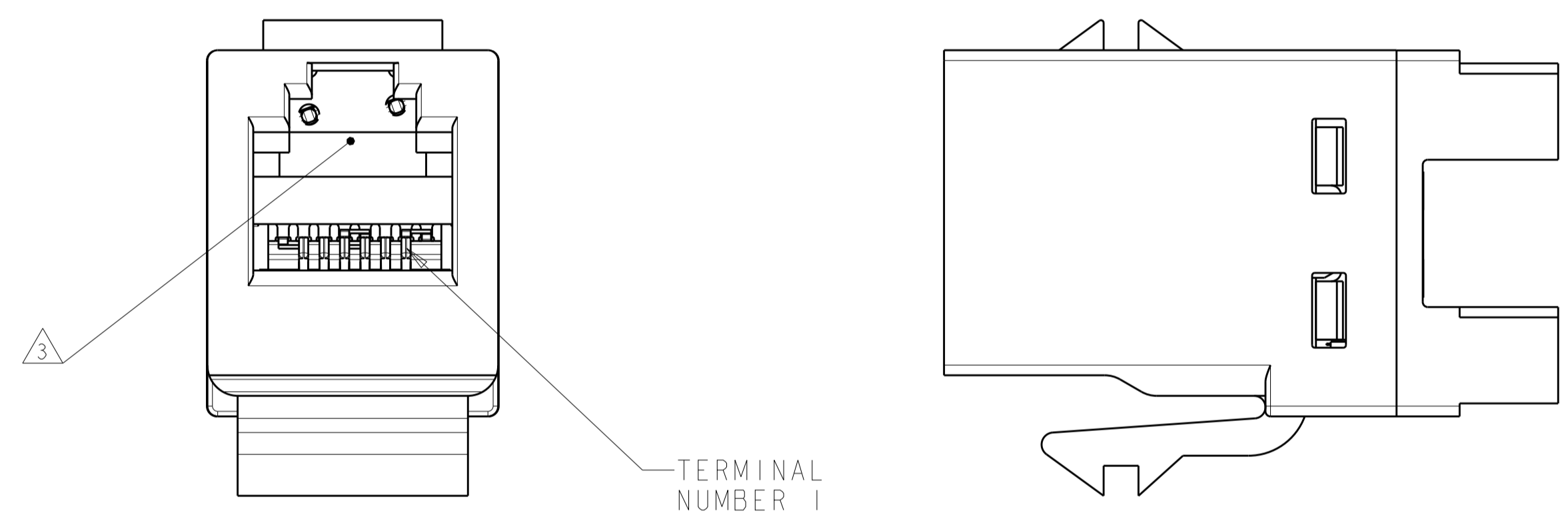


LOC	DIST	REVISIONS					
		P	LTN	DESCRIPTION	DATE	DWN	APVD
	00	J		REV ECO-12-019894	12NOV2012	JM	SJ



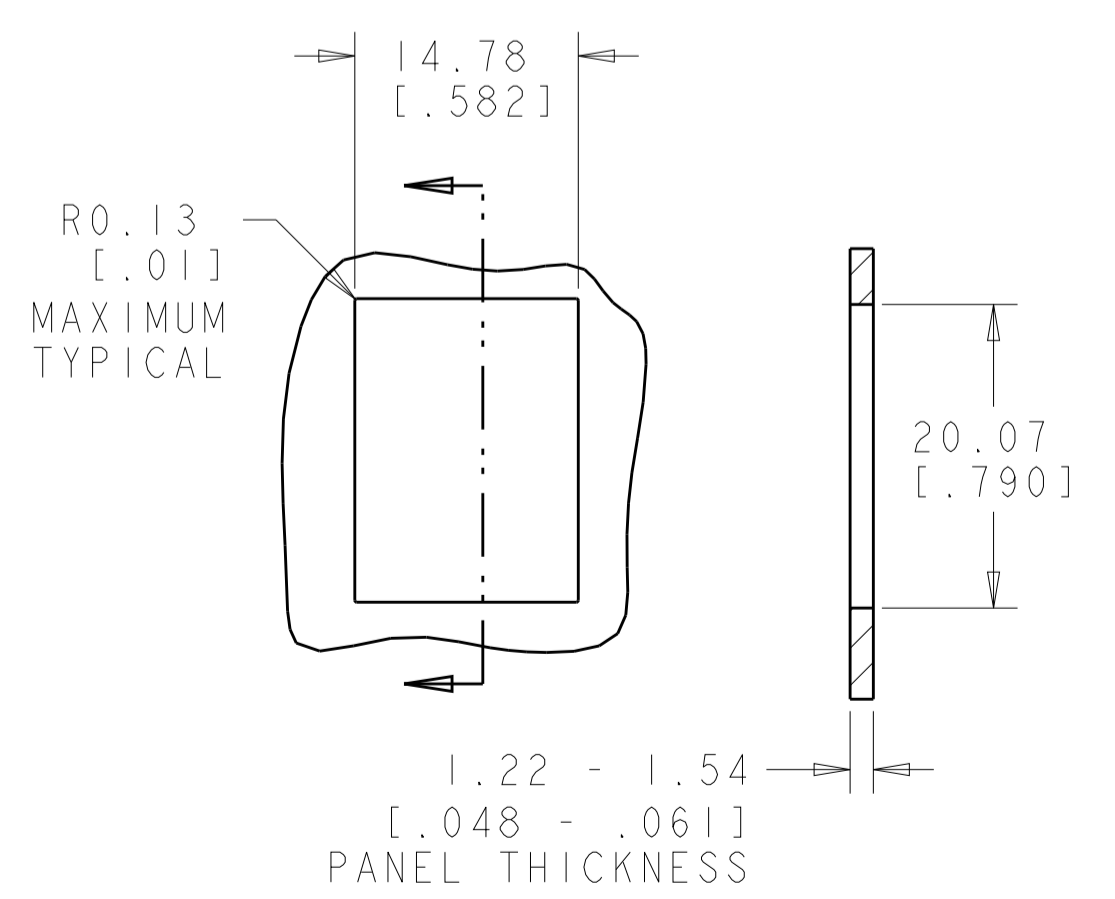
- 1. MATERIAL: JACK HOUSING - POLYCARBONATE, 94V-0 RATED.  
110 BLOCK - POLYCARBONATE.  
ARRAY TRAY - PBT POLYESTER.  
JACK CONTACTS ARRAY - BERYLLIUM COPPER, PLATED WITH 1.27µm [ .000050 ] MINIMUM THICK GOLD IN LOCALIZED AREA AND 3.81µm [ .000150 ] MINIMUM THICK MATTE TIN IN BOARD INTERFACE AREA OVER 1.27µm [ .000050 ] MINIMUM THICK NICKEL UNDERPLATE.  
IDC TERMINALS - PHOSPHOROUS BRONZE, PLATED WITH 3.81µm [ .00015 ] MINIMUM THICK MATTE TIN OVER 1.27µm [ .00005 ] MINIMUM THICK NICKEL UNDERPLATE.
- 2. SL 110 JACK WILL TERMINATE 22-24 AWG SOLID AND 24-26 AWG STRANDED CONDUCTORS, 1.27 [ .050 ] MAXIMUM INSULATION DIAMETER.
- 3. CAVITY CONFORMS TO FCC RULES AND REGULATIONS PART 68 SUBPART F REQUIREMENTS.
- 4. MOUNTING PANEL THICKNESS 1.47 - 1.60 [ .058 - .063 ].
- 5. THESE TWO SUGGESTED CUTOUT OPENINGS ARE USED IN TANDEM WITH DUAL FRONT AND BACK CUTOUTS.
- 6. ONE MODULAR JACK ASSEMBLY PER POLYBAG.
- 7. REFER TO 408-8858 FOR TERMINATION INSTRUCTIONS USING SL SERIES TOOL TERMINATION. REFER TO 408-8602 FOR TERMINATION INSTRUCTIONS USING 110 PUNCH DOWN TOOL.



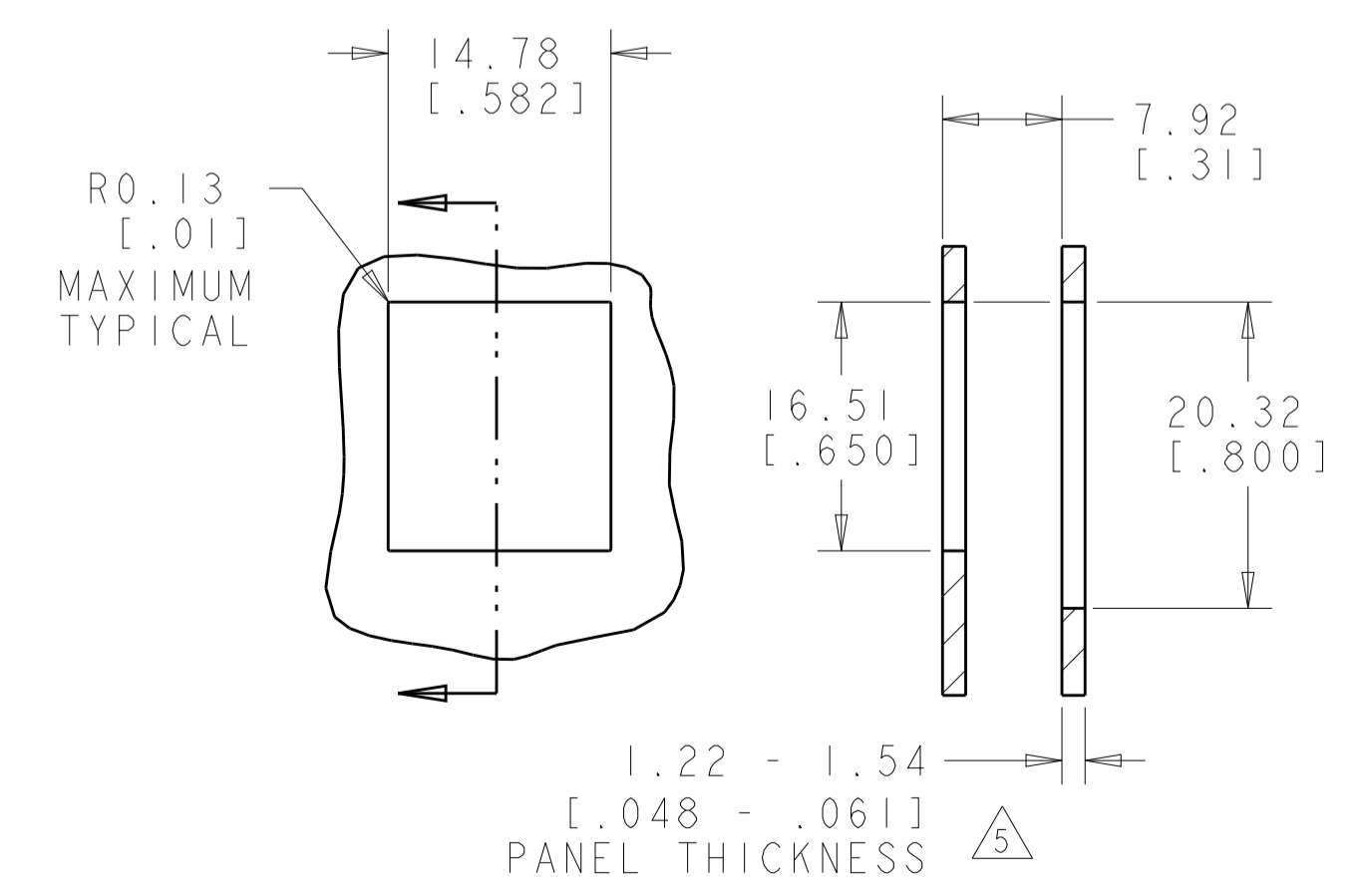
DETAIL A  
SCALE 10:1

COLOR CODE	110 BLOCK	MODULAR JACK	
WHITE/BLUE			4
BLUE			3
WHITE/ORANGE			2
ORANGE			5
WHITE/GREEN			1
GREEN			6
WHITE/BROWN			
BROWN			

ELECTRICAL SCHEMATIC (USOC)



SINGLE PANEL CUTOUT



SUGGESTED FLUSH MOUNT  
PANEL APPLICATION CUTOUT

PACKAGE	HOUSING COLOR	PART NUMBER
6	ALPINE WHITE	1-1375192-3
	BLUE	1375192-6
	GRAY	1375192-4
	BLACK	1375192-2
	LIGHT ALMOND	1375192-1

THIS DRAWING IS A CONTROLLED DOCUMENT.		DWN: T. PITTS 05NOV01	 TE Connectivity
DIMENSIONS: MM [Inches]		CHK: L. SMITH 15NOV01	
TOLERANCES UNLESS OTHERWISE SPECIFIED:		APVD: C. DOOLEY 15NOV01	NAME: ASSEMBLY, SL 110 JACK, CATEGORY 3 PRODUCT SPEC: 108-131001 APPLICATION SPEC: 7
0 PLC ±		SIZE: CAGE CODE DRAWING NO: A100779C=1375192	
1 PLC ±		RESTRICTED TO: -	
2 PLC ±		SCALE: 4:1 SHEET 1 OF 1 REV J	
3 PLC ±			
4 PLC ±			
ANGLES ±			
FINISH: -			
MATERIAL: -			
CUSTOMER DRAWING			