

### Features

- DC to 4 GHz
- Flanged model
- Low VSWR

### Applications

- High power RF transmission

## CHF5225CNF Series 60 W Power RF Flanged Chip Termination

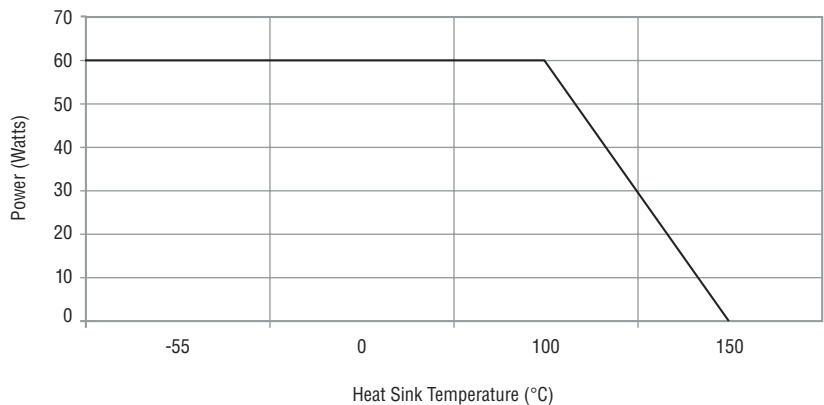
### General Specifications

Substrate.....ALN  
 Resistive Film.....Thick Film  
 Tab .....Ag  
 Protection.....Epoxy  
 Tab Attachment  
 .....Brazed with Epoxy Encapsulation  
 Mounting Flange .....Cu plated with Ni  
 Resistance.....50 Ω  
 Tolerance.....±5 %  
 Packaging.....100 pcs./tray

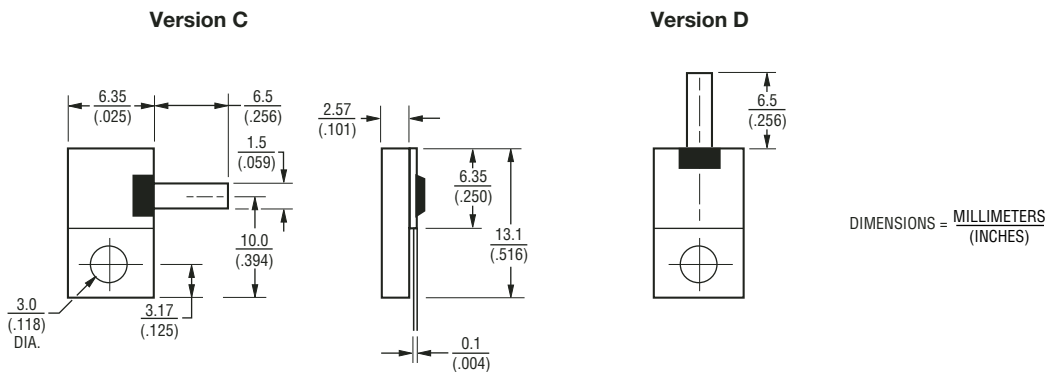
### Absolute Ratings

Power.....60 W  
 Frequency .....4.0 GHz  
 VSWR.....1.2 Maximum

### Characteristic Curve



### Product Dimensions



### How To Order

**CHF 5225 C N F 500 L**

Model	_____
Size	_____
Version	_____
Substrate	_____
Mount	_____
F = Flange	
Value	_____
500 = 50 Ohm	
Function	_____
L = Termination	



*Reliable Electronic Solutions*

**Asia-Pacific:**  
 Tel: +886-2 2562-4117  
 Fax: +886-2 2562-4116

**Europe:**  
 Tel: +41-41 768 5555  
 Fax: +41-41 768 5510

**The Americas:**  
 Tel: +1-951 781-5500  
 Fax: +1-951 781-5700

[www.bourns.com](http://www.bourns.com)

\*RoHS Directive 2002/95/EC Jan 27 2003, including Annex  
 Specifications are subject to change without notice.  
 Customers should verify actual device performance in their specific applications.