

FEATURES

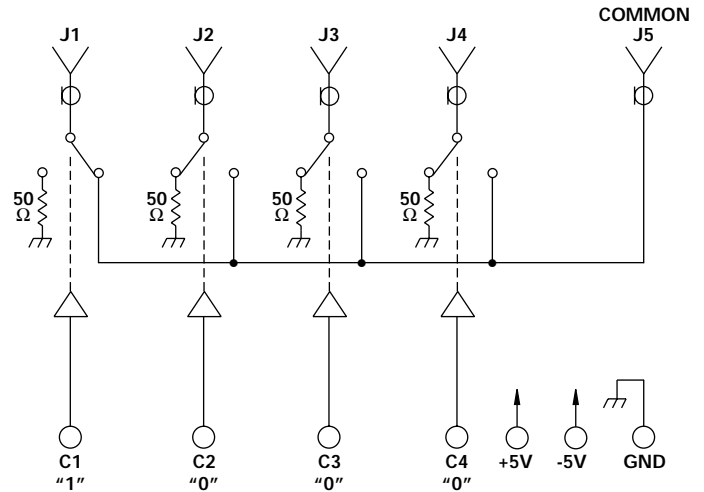
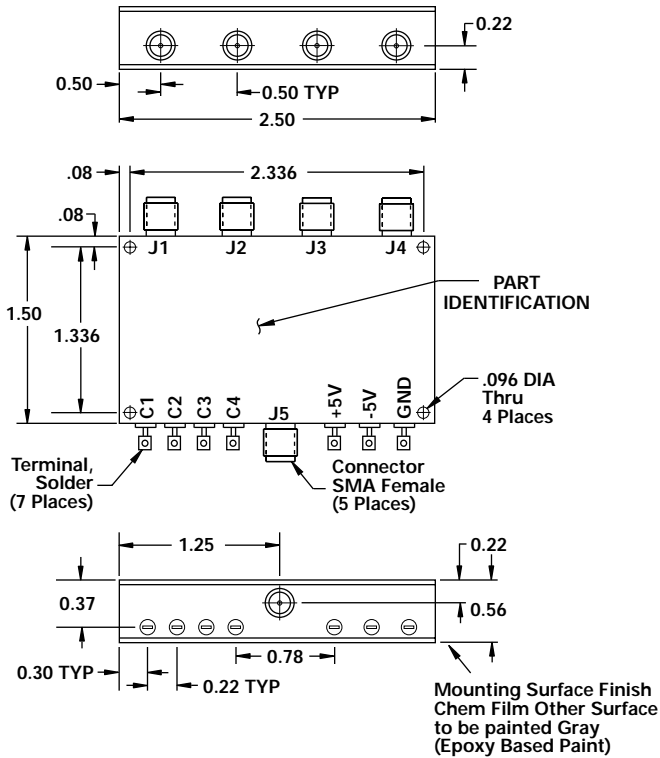
- 830 - 930 MHz
- High Isolation
- High Intercept Points
- Small Size
- SMA Connectorized



MODEL NO.
DSW49068

Switch SP4T

SP4T



GUARANTEED PERFORMANCE

Parameter	Min	Typ	Max	Units	Conditions
Operating Frequency	830		930	MHz	
DC Current		15	30	mA	At +5 VDC Supply
		15	30	mA	At -5 VDC Supply
Control Type		TTL			4 Line "1" = Thru
Isolation	70	71		dB	
Insertion Loss		1.23	2.0	dB	
VSWR		1.16/1	1.6/1		
		1.23/1	1.6/1		
Impedance		50		OHMS	
Switching Speed		0.2	1	μSEC	50% TTL to 90% / 10% RF
Transition (Rise/Fall) Time		65		nSEC	10% / 90% to 90% / 10% RF
Switching (Video) Transients		200		mV	Peak Value
Intercept Points		+74		dBm	800 MHz / 970 MHz
		+45		dBm	900 MHz / 970 MHz
RF Power		+25	+20	dBm	0.1 dB Compression
		+30		dBm	
Operating Temperature	-55	+25	+85	°C	TA

