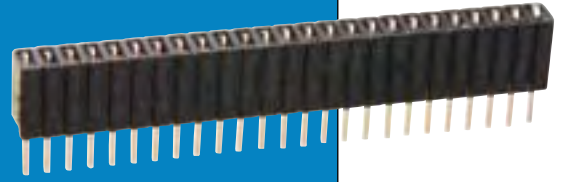


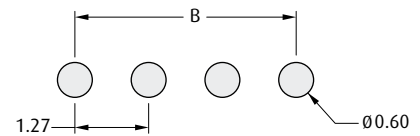
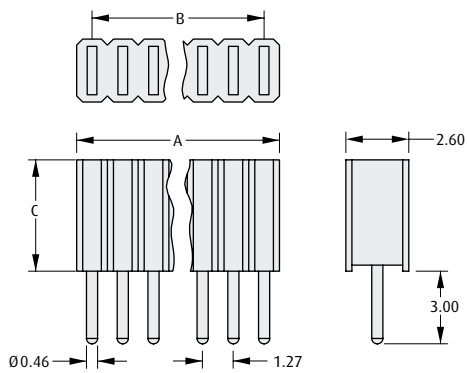
# M52 Connectors

## Vertical PC Tail Female Connectors

- ❖ A range of 1.27mm x 2.54mm male and female connectors, for vertical and horizontal board-to-board applications.
- ❖ Choice of connector height.
- ❖ Suitable for use with male pin header variants on page 84.



### SINGLE ROW

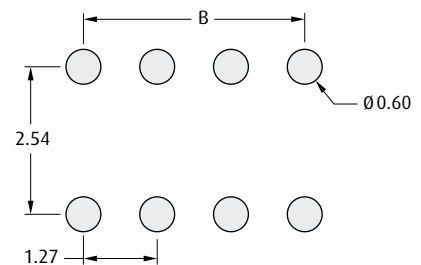
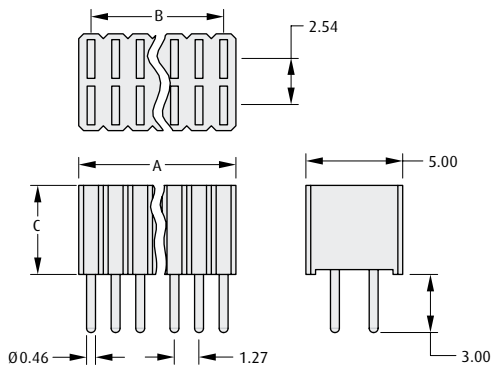


Recommended PC Board Pattern

### CALCULATION

<b>A</b>	1.27 x No. of ways per row
<b>B</b>	1.27 x (No. of ways per row - 1)

### SINGLE ROW



Recommended PC Board Pattern

### HOW TO ORDER

**M52 - 5 X X XX 45**

**SERIES CODE**

**NO. OF ROWS**

<b>0</b>	Single Row
<b>1</b>	Double Row

**HEIGHT**

<b>0</b>	C = 4.6mm
<b>1</b>	C = 8.5mm

**FINISH**

**45** Gold

**NO. OF WAYS PER ROW**

<b>03 to 40</b>	M52-50X
<b>03 to 50</b>	M52-51X

All dimensions in mm.

[www.harwin.com](http://www.harwin.com)

1.27mm (.050") PITCH





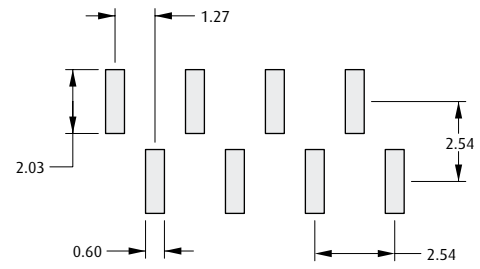
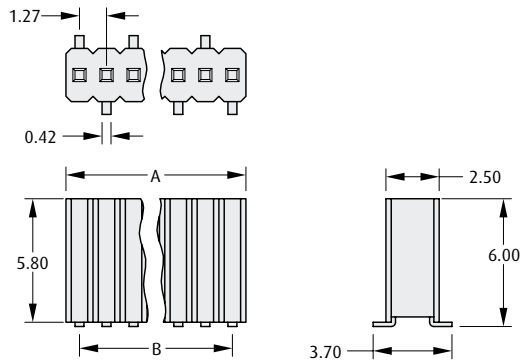
# M52 Connectors

## Vertical SMT Female Connectors

- ❖ Suitable for use with male pin header variants on page 84.
- ❖ Twin beam contact for cost-effective reliability.
- ❖ Tape and reel option available. Contact [technical@harwin.com](mailto:technical@harwin.com).

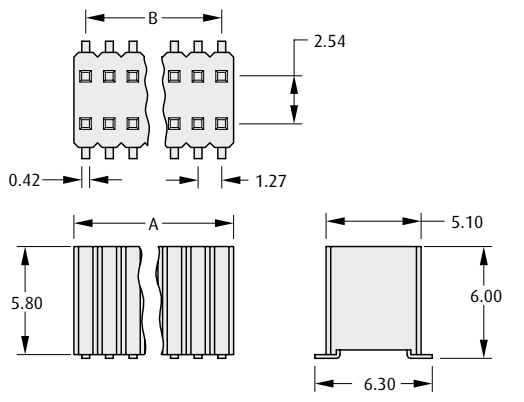
1.27mm (.050") PITCH

### SINGLE ROW



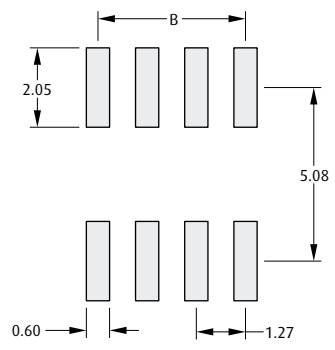
Recommended PC Board Pattern

### DOUBLE ROW



### CALCULATION

<b>A</b>	1.27 x No. of ways per row
<b>B</b>	1.27 x (No. of ways per row - 1)



Recommended PC Board Pattern

### HOW TO ORDER

**M52 - 5 X 5 XX 45**

**SERIES CODE**

NO. OF ROWS	
0	Single Row
1	Double Row

FINISH	
45	Gold

NO. OF WAYS PER ROW	
03 to 40	M52-505
03 to 50	M52-515

[www.harwin.com](http://www.harwin.com)

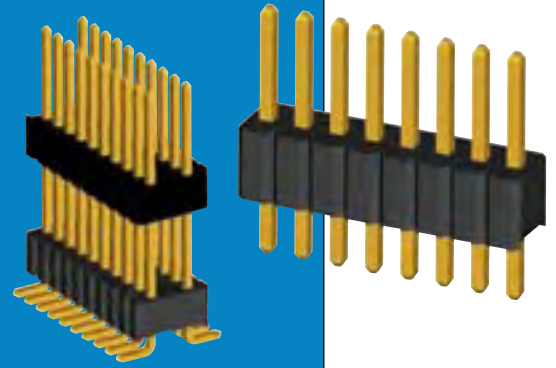
All dimensions in mm.



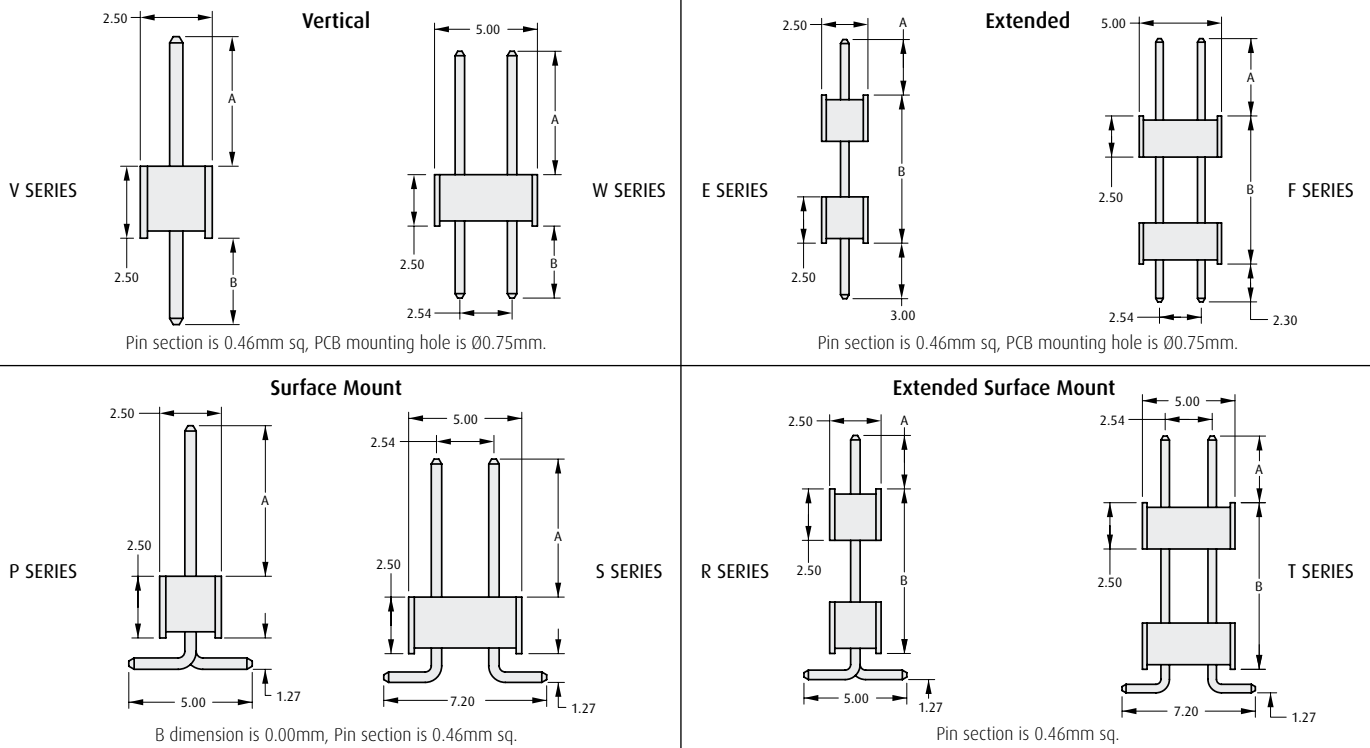
# M52 Connectors

## Pin Header variants

- Harwin offers the ultimate flexibility 'Standard Variant Pin Headers'. Use the order code below to create application-specific connectors.
- Contact [technical@harwin.com](mailto:technical@harwin.com) for further information.
- Suitable for use with female connectors on pages 82 to 83.



### TERMINATION STYLES



### HOW TO ORDER

**M52 - XXX XXX X XX 45**

**SERIES CODE**

**DIMENSION A**

Eg. 7.8mm = 078

**DIMENSION B**

Eg. 5.0mm = 050

**FINISH**

45

Gold



**NO. OF WAYS PER ROW**

02 to 40

SINGLE ROW	DOUBLE ROW	
V	W	Vertical
E	F	Extended
P	S	SMT
R	T	Extended SMT

All dimensions in mm.

[www.harwin.com](http://www.harwin.com)

1.27mm (.050") PITCH

