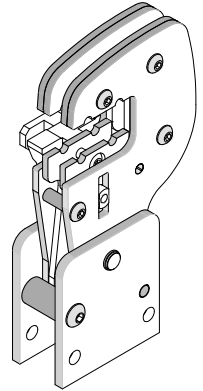




# Power Crimp Head For Battery Powered Crimp Tools Specification Sheet Order No. 63816-0300



## Features

- Quick change Power Crimp Head is easily installed into Battery Power Crimp Tool (Order No. 63816-0200)
- Powered crimp tools help reduce fatigue and discomfort from repetitive manual crimping and allows portability
- A precision user-friendly terminal locator wire stop holds terminals in the proper crimping position

## SCOPE

The 63816-0300 Power Crimp Head was created for use with select Crimp Dies and Locator Kits when used with the Battery Powered Tool (Order No. 63816-0200).

## Installation

To install the Power Crimp Head onto the Battery Powered Tool, (Order No. 63816-0200), refer to the Instruction Manual TM-638160200, Section 3, "Set-Up and Adjustments".

To Install the Crimp Dies and Locator Kits into the Power crimp Head, refer to the specification sheet manual that is supplied with each kit.

**CAUTION: Never place fingers into the tooling nest.**

## Maintenance

It is recommended that each operator of the tool be made aware of, and responsible for, the following maintenance steps:

1. Remove dust, moisture and other contaminants with a clean brush, or soft, lint-free cloth.
2. Do not use any abrasive materials that could damage the tool.
3. Make certain all pins, pivot points and bearing surfaces in the tool head are protected with a thin coat of high quality machine oil. Do not oil excessively. This tool was engineered for durability, but like any fine piece of equipment, it needs cleaning and lubrication for a maximum service life of trouble-free crimping. The use of a light oil, such as SAE 30 weight automotive oil, every 5,000 crimps or monthly, will significantly enhance the tool life and ensure a stable calibration. See Figure 1 for lubrication points.
4. Store the tool in a clean and dry area when not in use.

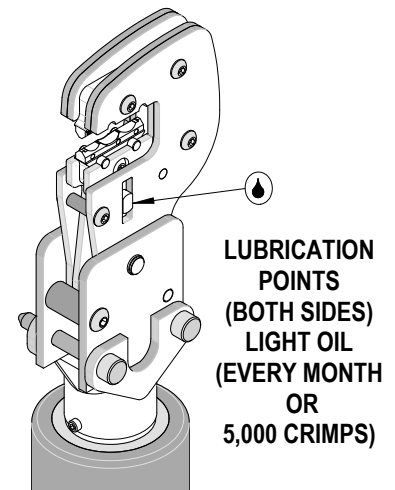


Figure 1

## Warranty

This tool is for electrical terminal crimping purposes only. This tool is made of the best quality materials. All vital components are long life-tested. All tools are warranted free of manufacturing defects for a period of **30 days**. Should such a defect occur, we will repair or exchange the tool free of charge. This repair or exchange will not be applicable to alter, misused, or damaged tools.

## Parts List

Item	Order No	Description	Quantity
1	63816-0300	Power Crimp Head	1
2	63811-4773	Universal Locator Mount	1

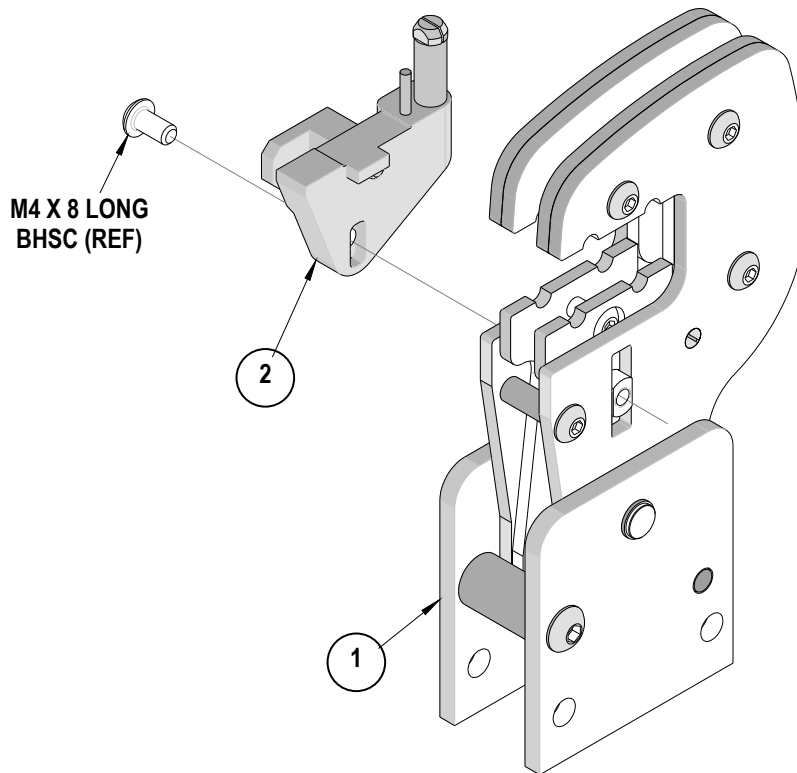


Figure 2

Americas Headquarters  
Lisle, Illinois 60532  
U.S.A.  
1-800-78MOLEX  
amerinfo@molex.com

Far East North  
Headquarters  
Yamato, Kanagawa,  
Japan  
81-462-65-2324

Far East South  
Headquarters  
Jurong, Singapore  
65-6-268-6868  
fesinfo@molex.com

European  
Headquarters  
Munich, Germany  
49-89-413092-0  
eurinfo@molex.com

Corporate  
Headquarters  
2222 Wellington Ct.  
Lisle, IL 60532  
U.S.A.

feninfo@molex.com

630-969-4550  
Fax: 630-969-1352

Visit our Web site at <http://www.molex.com>