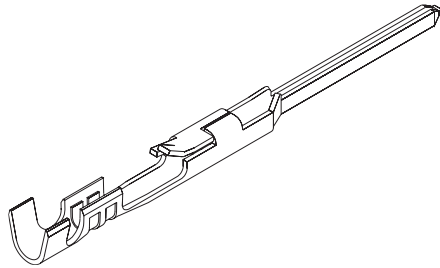


**2.54mm (.100") Pitch****SL™  
Terminal****70021  
Male, Crimp****Features and Benefits**

- Dual tab strain relief
- Locking tang secures terminal in housing

**Reference Information**

Product Specification: PS-70021  
 Packaging: Reel or bag  
 Mates With: 70058 and 71851 female crimp terminals,  
 and 70400 and 70430 connector assemblies  
 Use With: 70066D and 70107 housings  
 Designed In: Inches

**Electrical**

Voltage: 250V  
 Current: 3.0A  
 Contact Resistance: 15 milliohms max.  
 Insulation Resistance: 10,000 Megohms min.

**Mechanical**

Wire Pull-Out Force: 17.79N (4.0 lb) min.  
 Durability: Tin—25 cycles; Gold—50 cycles

**Physical**

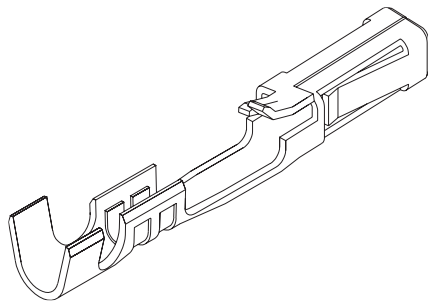
Contact: Copper Alloy  
 Plating: See Table  
 Operating Temperature: -40 to +105°C  
 Wire Gauge: 22 to 24 and 24 to 30 AWG

**Not For Use With C-Grid III™ Components**

Reel				
Order No.	Plating	Wire Range (AWG) Stranded	Insulation Maximum Outside Diameter	Lead-free
<a href="#">16-02-0116</a>	1	22-24	1.63 (.064)	Yes
<a href="#">16-02-0078</a>		24-30	1.52 (.060)	
<a href="#">16-02-0081</a>	2	22-24	1.63 (.064)	
<a href="#">16-02-0077</a>		24-30	1.52 (.060)	
<a href="#">16-02-0107</a>	3	22-24	1.63 (.064)	
<a href="#">16-02-0105</a>		24-30	1.52 (.060)	

Plating No. 1: 30µm min. Gold in select area over 50µm min. Nickel overall with 75µm Tin in select area  
 Plating No. 2: 15µm min. Gold in select area over 50µm min. Nickel overall with 75µm min. Tin in select area  
 Plating No. 3: 150µm Tin over 50µm Nickel overall  
 Each reel contains 20,000 terminals

Bag				
Order No.	Plating	Wire Range (AWG) Stranded	Insulation Maximum Outside Diameter	Lead-free
<a href="#">16-02-0117</a>	1	22-24	1.63 (.064)	Yes
<a href="#">16-02-0110</a>		24-30	1.52 (.060)	
<a href="#">16-02-0115</a>	2	22-24	1.63 (.064)	
<a href="#">16-02-0109</a>		24-30	1.52 (.060)	
<a href="#">16-02-0114</a>	3	22-24	1.63 (.064)	
<a href="#">16-02-0108</a>		24-30	1.52 (.060)	

**2.54mm (.100") Pitch****SL™  
Terminal****70058  
Female Box, Crimp****Features and Benefits**

- Dual beam, fully-enclosed box contact
- Dual tab strain relief
- Locking tang secures terminal in housing

**Reference Information**

Product Specification: PS-70058  
 Packaging: Reel or bag  
 Mates With: 70021 male crimp terminals and  
 0.64mm (.025") square pins  
 Use With: All 70066 and 70450 housings  
 Designed In: Inches

**Electrical**

Voltage 250V  
 Current: 3.0A  
 Contact Resistance: 15 milliohms max.  
 Insulation Resistance: 10,000 Megohms min.

**Mechanical**

Contact Retention to Housing: 17.79N (4.0 lb) min.  
 Wire Pull-Out Force: 17.79N (4.0 lb) min.  
 Mating Force: 2.22N (.50 lb) max.  
 Unmating Force: 0.28N (.06 lb) min.  
 Normal Force: 0.98N (.22 lb) min.  
 Durability: Tin—25 cycles; Gold—50 cycles

**Physical**

Contact: Copper Alloy  
 Plating: See Table  
 Operating Temperature: -40 to +105°C  
 Wire Gauge: 22 to 24 and 24 to 30 AWG

**Not For Use With C-Grid III™ Components**

Reel				
Order No.	Plating	Wire Range (AWG) Stranded	Insulation Maximum Outside Diameter	Lead-free
<a href="#">16-02-0088</a>	1	22-24	1.63 (.064)	Yes
<a href="#">16-02-0083</a>		24-30	1.52 (.060)	
<a href="#">16-02-0087</a>	2	22-24	1.63 (.064)	
<a href="#">16-02-0082</a>		24-30	1.52 (.060)	
<a href="#">16-02-0086</a>	3	22-24	1.63 (.064)	
<a href="#">16-02-0069</a>		24-30	1.52 (.060)	

Plating No. 1: 30µm min. Gold in select area over 50µm min. Nickel overall with 75µm Tin in select area  
 Plating No. 2: 15µm min. Gold in select area over 50µm min. Nickel overall with 75µm min. Tin in select area  
 Plating No. 3: 150µm Tin over 50µm Nickel overall  
 Each reel contains 20,000 terminals

Bag				
Order No.	Plating	Wire Range (AWG) Stranded	Insulation Maximum Outside Diameter	Lead-free
<a href="#">16-02-0104</a>	1	22-24	1.63 (.064)	Yes
<a href="#">16-02-0098</a>		24-30	1.52 (.060)	
<a href="#">16-02-0103</a>	2	22-24	1.63 (.064)	
<a href="#">16-02-0097</a>		24-30	1.52 (.060)	
<a href="#">16-02-0102</a>	3	22-24	1.63 (.064)	
<a href="#">16-02-0096</a>		24-30	1.52 (.060)	