

# Rocker Switch **TRD Series**

*For Additional Options Refer to Page E4-E6*

## MATERIAL SPECIFICATIONS:

Contacts ..... Gold over nickel or silver plate  
 Case Material ..... Polyamide, black matte finish  
 Actuator Material ..... Polyamide  
 Terminals/Fixed Contacts ..... Copper alloy with gold or silver plate  
 Terminal Seal ..... Epoxy

## ENVIRONMENTAL SPECIFICATIONS:

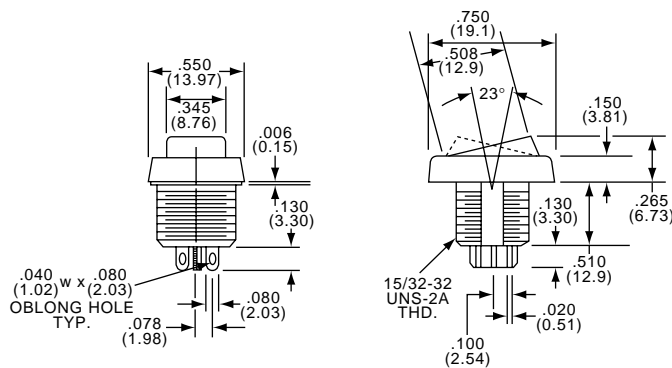
Operating Temperature ..... -4°F to +176°F (-20°C to +80°C)  
 Storage Temperature ..... -49°F to +199°F (-45°C to +93°C)

## TYPICAL PERFORMANCE CHARACTERISTICS:

Contact Rating ..... 0.4 VA Max. @ 20 VDC or peak AC  
 3 A @ 125 VAC or 28 VDC (2 pos.) 2A  
 Initial Contact Resistance ..... 20 Milliohms max.  
 Contact Timing ..... Break-before-make  
 Insulation Resistance ..... 1,000 Megohms min.  
 Dielectric Strength ..... 500 Volts RMS @ sea level  
 Actuator Travel ..... 23°  
 Life Expectancy ..... 2 Pos. - 100,000 actuations  
 3 Pos. - 50,000 actuations  
 UL recognized under the Component Program of Underwriters  
 Laboratories Inc. File #E46765

**NOTE:** Part numbering sequence page E4

**NOTE:** When hand soldering, solder with switch in closed position.  
 Solder temperature 550-600°F less than 5 seconds.



DPDT



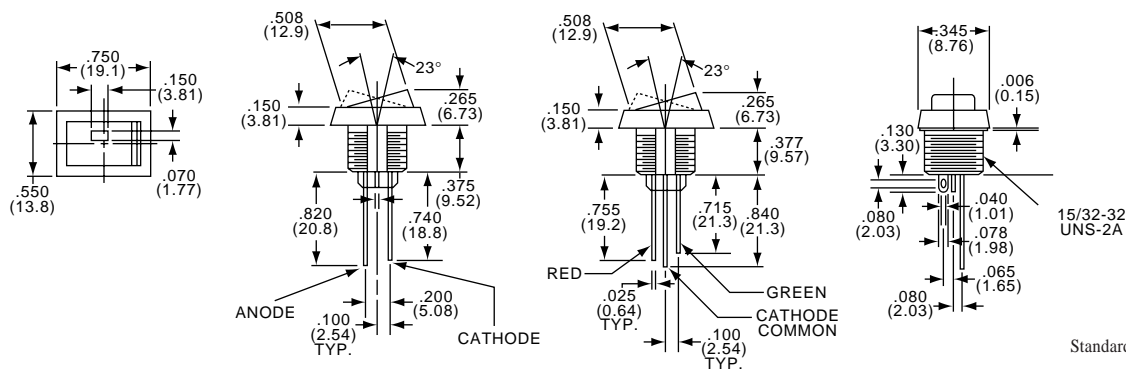
TRD21N10WL

Standard Body Color - (Black)

E

Model	Type	Function	Act. Code Pg. M8	Contact	Terminal	Model	Type	Function	Act. Code Pg. M8	Contact	Terminal
TRD11D1(*)WL	SPDT	On None On	1	Gold	Wire Lug	TRD13D1(*)WL	SPDT	On None On	1	Silver	Wire Lug
TRD11E1(*)WL	SPDT	On Off On	5	Gold	Wire Lug	TRD13E1(*)WL	SPDT	On Off On	5	Silver	Wire Lug
TRD11F1(*)WL	SPDT	On None (On)	1	Gold	Wire Lug	TRD13F1(*)WL	SPDT	On None (On)	1	Silver	Wire Lug
TRD21N1(*)WL	DPDT	On None On	2	Gold	Wire Lug	TRD23N1(*)WL	DPDT	On None On	2	Silver	Wire Lug
TRD21P1(*)WL	DP3T	On Off On	6	Gold	Wire Lug	TRD23P1(*)WL	DP3T	On Off On	6	Silver	Wire Lug
TRD21R1(*)WL	DPDT	On None (On)	2	Gold	Wire Lug	TRD23R1(*)WL	DPDT	On None (On)	2	Silver	Wire Lug

(\* Specify rocker color by adding suffix number: (0) Black (2) Red, (6) Blue (9) Yellow. (On) indicates momentary position.



SPDT



TRD11D10WLLR

Standard Body and Rocker Color - (Black)

Model	Type	Function	Act. Code Pg. M8	Contact	Terminal	Model	Type	Function	Act. Code Pg. M8	Contact	Terminal
TRD11D10WLLR(*)	SPDT	On None On	1	Gold	Wire Lug	TRD13D10WLLR(*)	SPDT	On None On	1	Gold	Wire Lug
TRD11E10WLLR(*)	SP3T	On Off On	5	Gold	Wire Lug	TRD13E10WLLR(*)	SP3T	On Off On	5	Gold	Wire Lug
TRD11F10WLLR(*)	SPDT	On None (On)	1	Gold	Wire Lug	TRD13F10WLLR(*)	SPDT	On None (On)	1	Gold	Wire Lug

(\* Specify LED color by adding suffix number: (2) Red, (4) Yellow, (5) Green, (25) Red/Green - Bi-color (On) indicates momentary position.

**Need more technical information?**

Consult your local Augat sales office listed on the back cover

AUGAT Inc.  
 452 John L. Dietsch Blvd.  
 Attleboro Falls, MA 02763 USA  
 (508) 699-9800 FAX (800) 533-2526





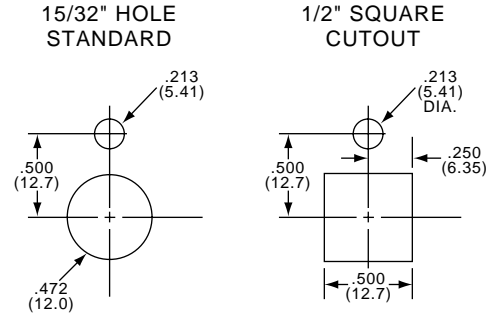
# TRD Series *Rocker/Paddle • How To Order*

## L L.E.D. BEVELE FRAME ADAPTOR (Accepts rectangular L.E.D.)



**Material:** Nylon 6/6  
**Color/Finish:** Black, matte

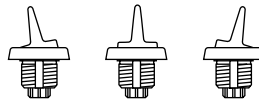
### MOUNTING



**Recommended Panel Thickness:** .030 to .220:

**Recommended Panel Thickness:** .030 to .095"

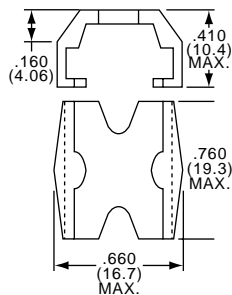
## E FUNCTIONS



Single Pole	Double Pole	123 456	123 456	123 456
D	N	On	None	On
E	P	On	Off	On
F	R	On	None	(On)
G	S	(On)	Off	(On)
H	T	On	Off	(On)
SPDT Terminals Connected		2-3	---	1-2
DPDT Terminals Connected		2-3 5-6	---	1-2 4-5

- None** No mechanical position
- Off** Mechanical position, no electrical connection
- (On)** Momentary mechanical position, electrical connection

## SWITCH GUARD



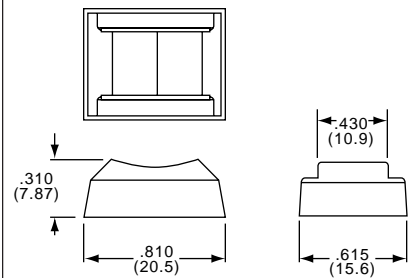
1. Insert switch in panel.
2. Attach lockwasher and hexnut.
3. Snap switch guard onto switch.
4. Tighten hex nut.



**Recommended Panel Thickness:**  
15/32" hole standard - .030 to .220  
15/32" square cutout - .030 to .095

**Material:** Nylon 6/6 **Color/Finish:** Black matte, Specify separately, P/N TRD10979

## ROCKER BOOT SEAL



To specify boot seal use P/N TRD11494