

20 19 18 17 16 15 14 13 12 11 9 8 7 6 5 4 3 2 1

VIEW ON MATING SIDE

○	Z	Z	A	A	A	A	A	A	A	A	A	A	A	A	A	A	A	A	A	Z	A	A	A	A	A	A	A	A	A	A	A	A	A	
○	Z	A	A	A	A	A	A	A	A	A	A	A	A	A	A	A	A	A	A	A	A	A	A	A	A	A	A	A	A	A	A	A	A	A
○	Z	Z	A	A	A	A	A	A	A	A	A	A	A	A	A	A	A	A	A	Z	A	A	A	A	A	A	A	A	A	A	A	A	A	
	-	2	3	4	5	6	7	8	9	10	11	12	13	14	15	16	17	18	19	20	21	22	23	24	25	26	27	28	29	30	31	32		

A = 89 STANDARD CONTACTS L = 2,9  
 Z = 7 FMLB CONTACTS +0,6 L = 2,9  
 S = 96 TOTAL NUMBER OF CONTACTS

MARKING	STANDARD
PERFORMANCE LEVEL	G1/O = CONTACT AREA PERFORM. LEVEL I / TERMINATION TIN
FLUX PROOF	NO
FIXING CLIP	NO
DIMENSIONS	SD-85013-0001 SHT 1

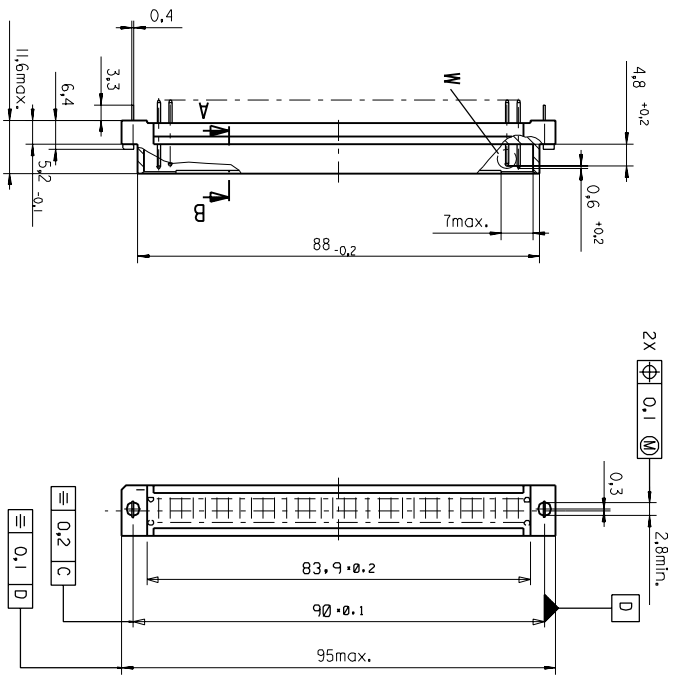
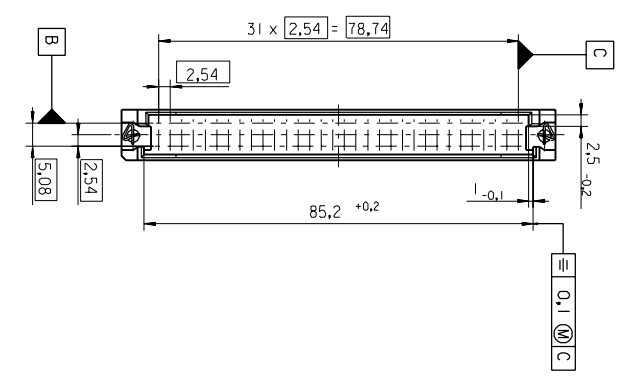
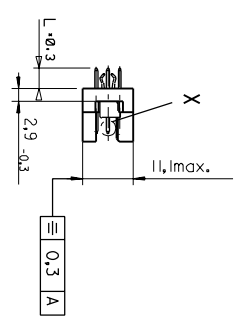
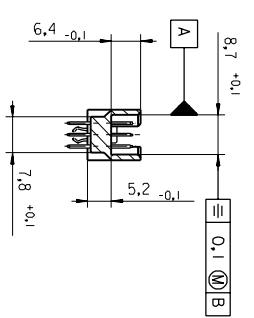
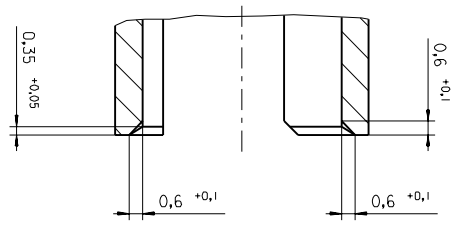
Z	G1/O	a1,2,24	b1	c1,2,24
A	G1/O	a3-23,25-32	b2-32	c3-23,25-32
CONTACT SYMBOL	PERFORMANCE LEVEL	CONTACT POSITION NUMBER		

EC NO. I 2004-XXXX DRAWN N.S. 31/03/04 CHK'd G.L. 31/03/04 APPR. G.L. 31/03/04	QUALITY SYMBOLS MAJOR $\nabla$ <sub>1</sub> CRITICAL $\nabla$ <sub>2</sub>	GENERAL TOLERANCES: (UNLESS SPECIFIED)		SCALE	DESIGN UNITS	THIRD ANGLE PROJECTION <input checked="" type="checkbox"/>	DIMENSIONS:		SHT	REV	
					<input checked="" type="checkbox"/> MM <input type="checkbox"/> INCH		<input type="checkbox"/> INCH <input type="checkbox"/> MM	<input checked="" type="checkbox"/> MM ONLY		REVISE ON CAD ONLY	
		4 PLACES $\pm 0,1$		mm		DRAWN BY & DATE N.S. 17/09/01		TITLE: 96 POS MALE CONNECTOR ACCORDING DIN 41612 STYLE R CONTACTS ARRANGEMENT			
		3 PLACES $\pm 0,1$		mm		CHECKED BY & DATE G.L. 17/09/01					
2 PLACES $\pm 0,1$		mm		APPROVED BY & DATE G.L. 17/09/01		MATERIAL NO. 85013-3081 DRAWING NO. SD-85013-3081 SHEET NO. 1 OF 1					
1 PLACE $\pm 0,1$		mm		CAD FILENAME SD-85013-3081.S01							
ANGULAR $\pm$		mm		THIS DRAWING CONTAINS INFORMATION THAT IS PROPRIETARY TO MOLEX INCORPORATED AND SHOULD NOT BE USED WITHOUT WRITTEN PERMISSION.		MOLEX INCORPORATED					
DRAFT WHERE APPLICABLE MUST REMAIN WITHIN DIMENSIONS						THIS DRAWING CONTAINS INFORMATION THAT IS PROPRIETARY TO MOLEX INCORPORATED AND SHOULD NOT BE USED WITHOUT WRITTEN PERMISSION.					

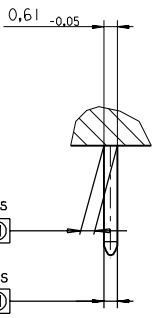
19 18 17 16 15 14 13 12 11 10 9 8 7 6 5 4 3 2 1

PART NO.  
DWG. NO.

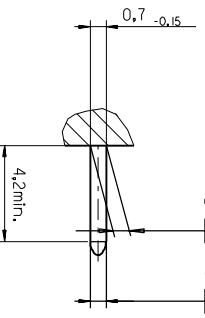
Section A - B  
5:1



View X  
5:1



View W  
5:1



first release see ECN No. 1887
<b>REVISIONS</b>
FOR PREVIOUS REVISIONS SEE MRI LIST
LTR

<b>FIRST ANGLE PROJECTION</b>	
UNLESS OTHERWISE SPECIFIED TOLERANCES ANGULAR #2	INCH
3 PLACE ± .	±
2 PLACE ± .	±
1 PLACE ± .	±
DRAFT WHERE APPLICABLE MUST REMAIN WITHIN DIMENSIONS	
DESIGN DIMENSION	<input checked="" type="checkbox"/> MM
EQUIVALENT DIMENSION	<input type="checkbox"/> IN.
SCALE	1:1

BY	CHK'D	BY	DATE
BY	BY	BY	BY
BY	BY	BY	BY

<b>REVISE ONLY ON CAD SYSTEM</b>	SH. REV.
GROUP PROJECT NAME 8501000 S11	THIS DRAWING CONTAINS INFORMATION THAT IS PROTECTED TO MOLEX INC. & SHOULD NOT BE USED WITHOUT WRITTEN PERMISSION
TITLE <b>96 pos. Male connector acc. DIN 41612 Style R Dimensions</b>	
PART NO. <b>MOLEX EUROPE</b>	SHEET NO. DATE <b>1 OF 95/06/07</b>
DWG. NO. <b>SDA-85013-0001</b>	SIZE <b>B</b>

7132-1283

10 9 8 7 6 5 4 3 2 1

A B C D E F

A B C D E F

View on mating side

○	Z	Z	A	A	A	A	A	A	A	A	A	A	A	A	A	A	A	A	A	A	Z	A	A	A	A	A	A	A	A			
○	Z	A	A	A	A	A	A	A	A	A	A	A	A	A	A	A	A	A	A	A	A	A	A	A	A	A	A	A	A			
○	Z	Z	A	A	A	A	A	A	A	A	A	A	A	A	A	A	A	A	A	A	Z	A	A	A	A	A	A	A	A			
	1	2	3	4	5	6	7	8	9	10	11	12	13	14	15	16	17	18	19	20	21	22	23	24	25	26	27	28	29	30	31	32

A = 89 standard contacts L=2,9  
 Z = 7 FMLB contacts +0,6 L=2,9  
 S = 96 total number of contacts

Marking	Standard
Performance level	G1/0 = Contact area perform. level I / Termination tin
Flux proof	no
Fixing clip	no
Dimensions	SDA-85013-0001 sht.1
Technical Data	PS-85013-0001

Z	G1/0	a1,2,24	b1	c1,2,24	
A	G1/0	a3-23,25-32	b2-32	c3-23,25-32	
Contact symbol	Perform. level	Contact position number			

first release see ECN No. 2362	REVISIONS	UNLESS OTHERWISE SPECIFIED TOLERANCES: ANGULAR ±2°		DRWG BY	SIGN	REVISIONS		SH.	REV.		
		INCH      METRIC		Ca		CAD/CAM PROJECT NAME		THIS DRAWING CONTAINS INFORMATION THAT IS PROPRIETARY TO MOLEX INC. & SHOULD NOT BE USED WITHOUT WRITTEN PERMISSION			
		3 PLACE	± .	±	CHK'D BY	SIGN	TITLE		96 pos. Male connector acc. DIN 41612 style R contacts arrangement		
		2 PLACE	± .	±	KN		MOLEX EUROPE		SHEET NO.	DATE	
		1 PLACE	± .	±	APP'D BY	SIGN			1 OF 1	96/12/16	
DESIGN DIMENSION		<input type="checkbox"/> MM	SCALE		PART NO.		DWG NO.	SIZE			
EQUIVALENT DIMENSION		<input type="checkbox"/> MM			85013-3081		SDA-85013-3081	A			
IF TWO DIMENSIONS ARE SHOWN THE UPPER IS THE DESIGN DIMENSION, LOWER IS SECONDARY		<input type="checkbox"/> IN.									