

# CAT4240

## 6 Watt Boost LED Driver

### Description

The CAT4240 is a DC/DC step-up converter that delivers an accurate constant current ideal for driving LEDs. Operation at a fixed switching frequency of 1 MHz allows the device to be used with small value external ceramic capacitors and inductor. LEDs connected in series are driven with a regulated current set by the external resistor R1. The CAT4240 high-voltage output stage is perfect for driving mid-size and large panel displays containing up to ten white LEDs in series.

LED dimming can be done by using a DC voltage, a logic signal, or a pulse width modulation (PWM) signal. The shutdown input pin allows the device to be placed in power-down mode with “zero” quiescent current.

In addition to thermal protection and overload current limiting, the device also enters a very low power operating mode during “Open LED” fault conditions. The device is housed in a low profile (1 mm max height) 5-lead thin SOT23 package for space critical applications.

### Features

- Switch Current Limit 750 mA
- Drives High Voltage LED Strings (38 V)
- Up to 94% Efficiency
- Low Quiescent Ground Current 0.6 mA
- 1 MHz Fixed Frequency Low Noise Operation
- Soft Start “In-rush” Current Limiting
- Shutdown Current Less than 1  $\mu$ A
- Open LED Overvoltage Protection
- Automatic Shutdown at 1.9 V (UVLO)
- Thermal Overload Protection
- Thin SOT23 5-lead (1 mm Max Height)
- These Devices are Pb-Free, Halogen Free/BFR Free and are RoHS Compliant

### Applications

- GPS Navigation Systems
- Portable Media Players
- Handheld Devices, Digital Cameras



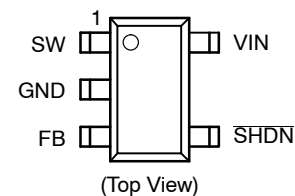
ON Semiconductor®

<http://onsemi.com>

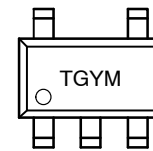


TSOT-23  
TD SUFFIX  
CASE 419AE

### PIN CONNECTIONS



### MARKING DIAGRAM



TG = Specific Device Code  
Y = Production Year (Last Digit)  
M = Production Month (1-9, A, B, C)

### ORDERING INFORMATION

Device	Package	Shipping
CAT4240TD-GT3	TSOT-23 (Pb-Free) Green*	3,000/ Tape & Reel

\* NiPdAu Plated Finish

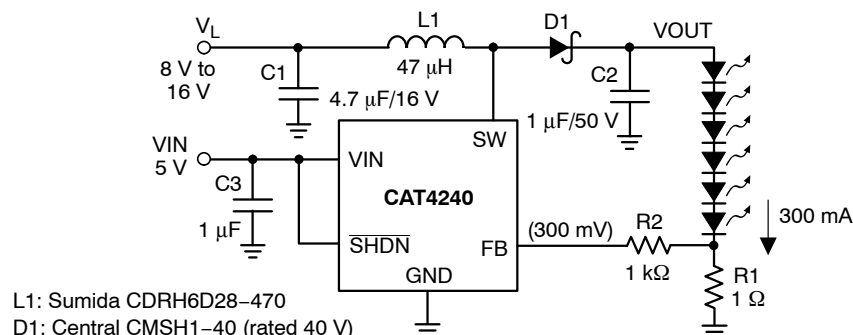


Figure 1. Typical Application Circuit

# CAT4240

**Table 1. ABSOLUTE MAXIMUM RATINGS**

Parameters	Ratings	Units
V <sub>IN</sub> , FB voltage	-0.3 to +7	V
SHDN voltage	-0.3 to +7	V
SW voltage	-0.3 to 60	V
Storage Temperature Range	-65 to +160	°C
Junction Temperature Range	-40 to +150	°C
Lead Temperature	300	°C

Stresses exceeding Maximum Ratings may damage the device. Maximum Ratings are stress ratings only. Functional operation above the Recommended Operating Conditions is not implied. Extended exposure to stresses above the Recommended Operating Conditions may affect device reliability.

**Table 2. RECOMMENDED OPERATING CONDITIONS**

Parameters	Range	Units
V <sub>IN</sub>	up to 5.5	V
SW pin voltage	0 to 38	V
Ambient Temperature Range (Note 1)	-40 to +85	°C

NOTE: Typical application circuit with external components is shown on page 1.

1. Thin SOT23-5 package thermal resistance  $\theta_{JA} = 135^{\circ}\text{C}/\text{W}$  when mounted on board over a ground plane.

**Table 3. DC ELECTRICAL CHARACTERISTICS**

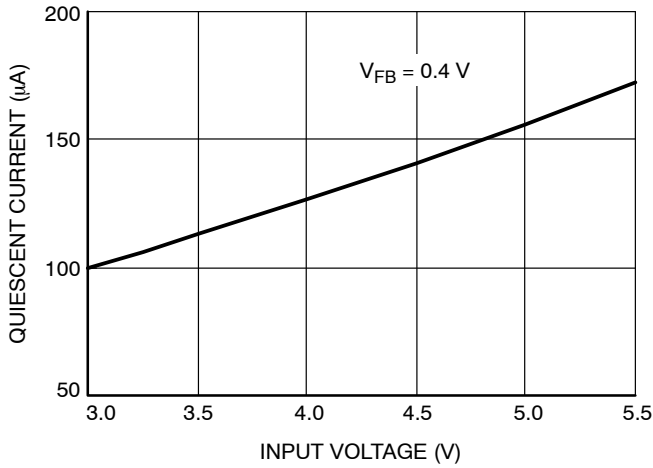
(V<sub>IN</sub> = 3.6 V, ambient temperature of 25°C (over recommended operating conditions unless otherwise specified))

Symbol	Parameter	Test Conditions	Min	Typ	Max	Units
I <sub>Q</sub>	Operating Current	V <sub>FB</sub> = 0.2 V V <sub>FB</sub> = 0.4 V (not switching)		0.6 0.1	1.5 0.6	mA
I <sub>SD</sub>	Shutdown Current	$\overline{V_{SHDN}} = 0\text{ V}$		0.1	1	μA
V <sub>FB</sub>	FB Pin Voltage	6 LEDs with I <sub>LED</sub> = 75 mA	285	300	315	mV
I <sub>FB</sub>	FB pin input leakage				1	μA
I <sub>LED</sub>	Programmed LED Current	R1 = 10 Ω R1 = 5 Ω	28.5	30 60	31.5	mA
V <sub>IH</sub> V <sub>IL</sub>	SHDN Logic High SHDN Logic Low	Enable Threshold Level Shutdown Threshold Level	0.4	0.8 0.7	1.5	V
F <sub>SW</sub>	Switching Frequency		0.8	1.0	1.3	MHz
DC	Maximum Duty Cycle	V <sub>IN</sub> = 3 V		92		%
I <sub>LIM</sub>	Switch Current Limit	V <sub>IN</sub> = 3.6 V V <sub>IN</sub> = 5 V	600 750			mA
R <sub>SW</sub>	Switch "On" Resistance	I <sub>SW</sub> = 100 mA		1.0	2.0	Ω
I <sub>LEAK</sub>	Switch Leakage Current	Switch Off, V <sub>SW</sub> = 30 V		2	5	μA
	Thermal Shutdown			150		°C
	Thermal Hysteresis			20		°C
V <sub>UVLO</sub>	Undervoltage Lockout (UVLO) Threshold			1.9		V
V <sub>OV-SW</sub>	Overvoltage Detection Threshold			40		V
V <sub>OCL</sub>	Output Voltage Clamp	"Open LED"		42		V

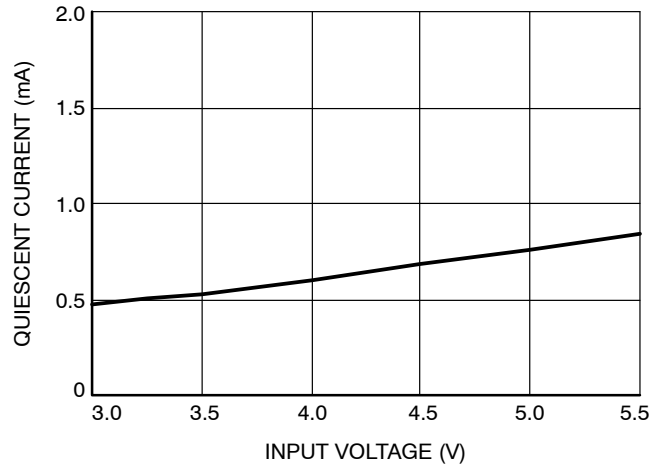
# CAT4240

## TYPICAL CHARACTERISTICS

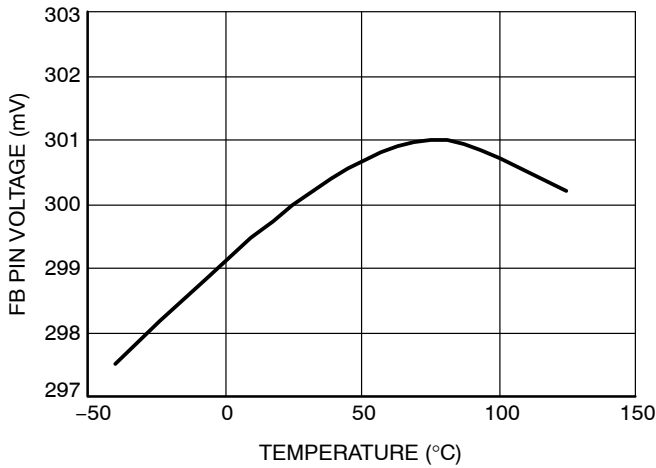
( $V_{IN} = 5\text{ V}$ ,  $V_L = 13\text{ V}$ ,  $T_{AMB} = 25^\circ\text{C}$ , typical application circuit unless otherwise specified.)



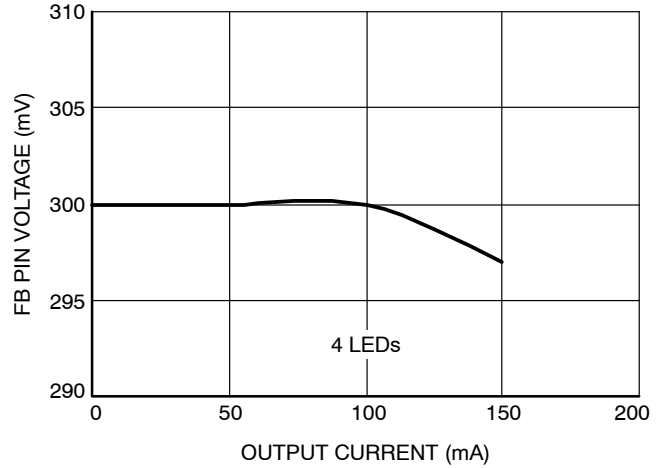
**Figure 2. Quiescent Current vs.  $V_{IN}$  (Not Switching)**



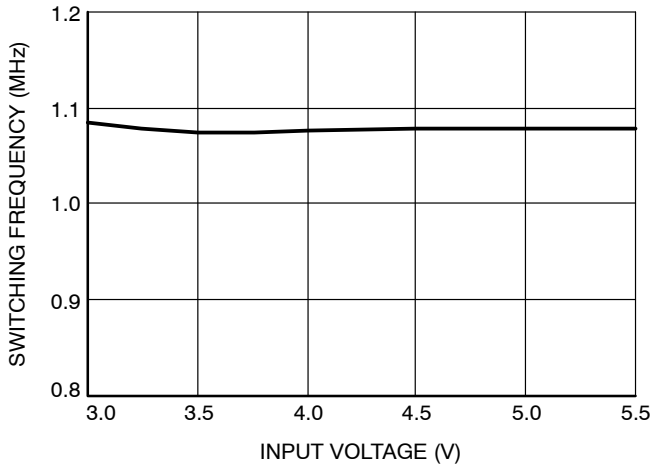
**Figure 3. Quiescent Current vs.  $V_{IN}$  (Switching)**



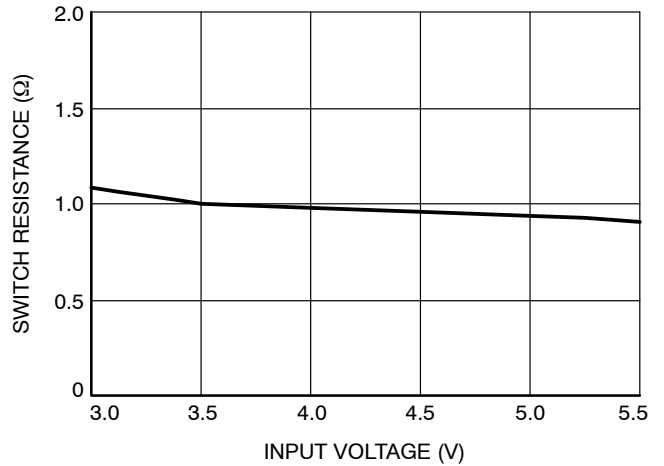
**Figure 4. FB Pin Voltage vs. Temperature**



**Figure 5. FB Pin Voltage vs. Output Current**



**Figure 6. Switching Frequency vs. Supply Voltage**



**Figure 7. Switch ON Resistance vs. Input Voltage**

# CAT4240

## TYPICAL CHARACTERISTICS

( $V_{IN} = 5\text{ V}$ ,  $V_L = 13\text{ V}$ ,  $T_{AMB} = 25^\circ\text{C}$ , typical application circuit unless otherwise specified.)

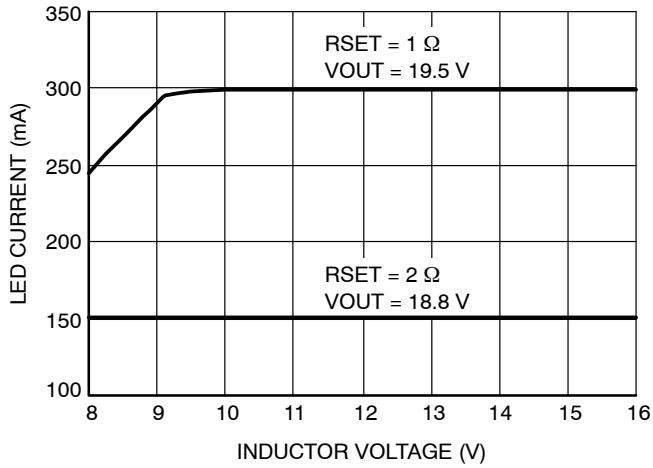


Figure 8. LED Current vs. Input Voltage

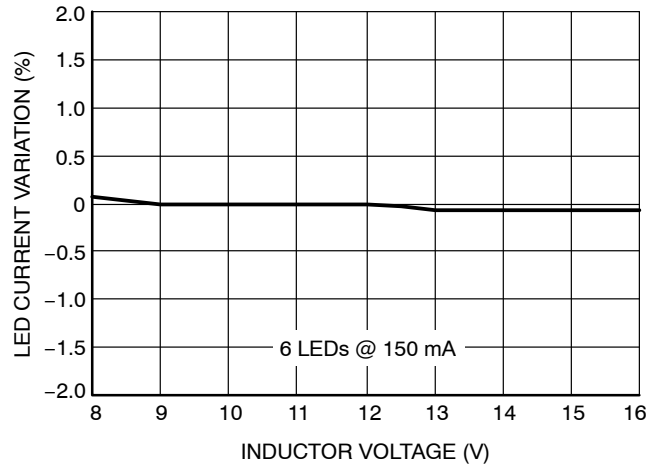


Figure 9. LED Current Regulation

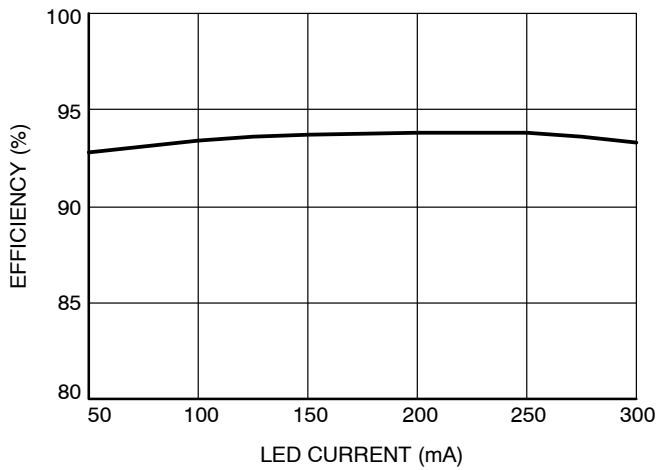


Figure 10. Efficiency vs. Load Current (6 LEDs)

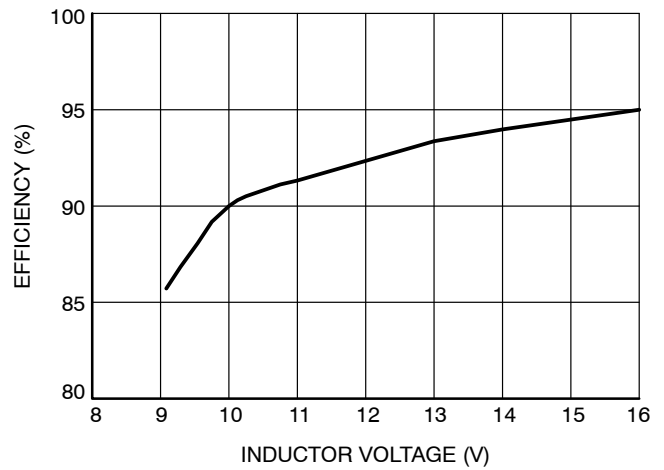


Figure 11. Efficiency vs. Inductor Voltage (6 LEDs)

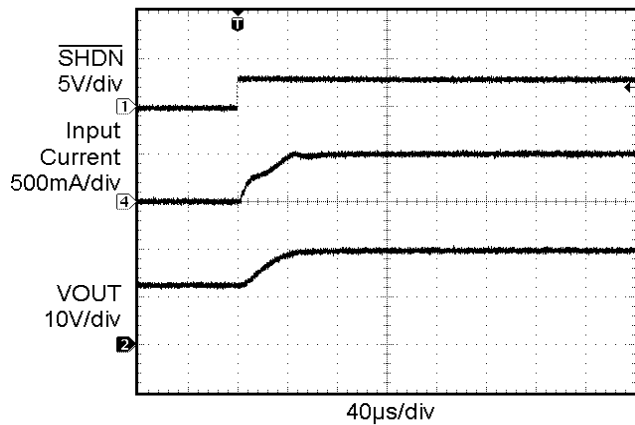


Figure 12. Power-up with 6 LEDs at 300 mA

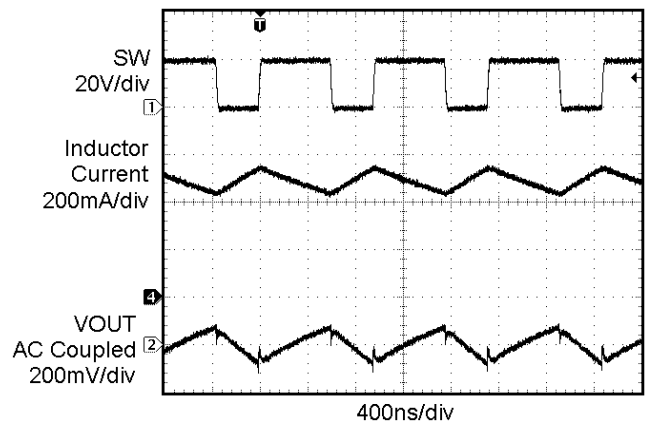


Figure 13. Switching Waveform

# CAT4240

## TYPICAL CHARACTERISTICS

( $V_{IN} = 5\text{ V}$ ,  $V_L = 13\text{ V}$ ,  $T_{AMB} = 25^\circ\text{C}$ , typical application circuit unless otherwise specified.)

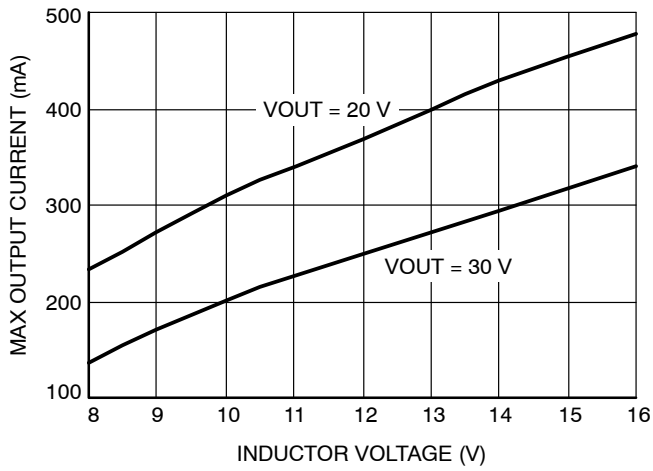


Figure 14. Maximum Output Current

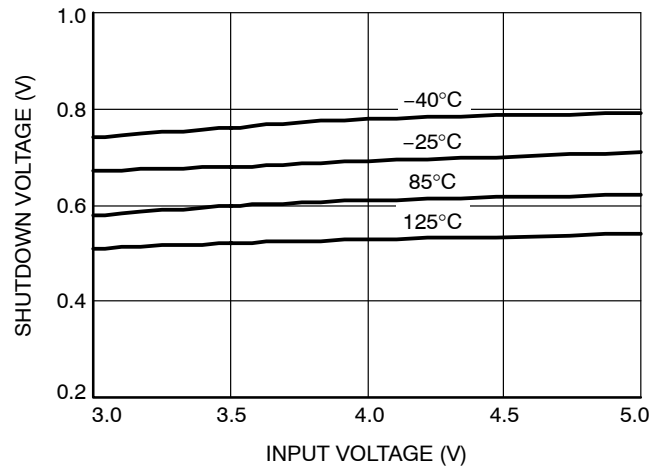


Figure 15. Shutdown Voltage

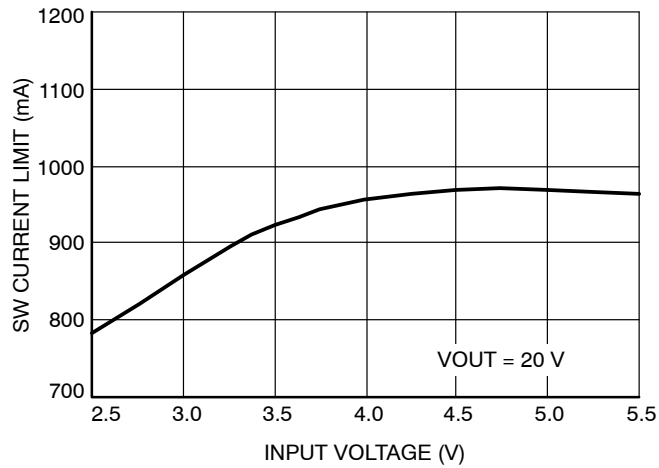


Figure 16. Switch Current Limit

# CAT4240

## Pin Description

**V<sub>IN</sub>** is the supply input for the internal logic. The device is compatible with supply voltages down to 2.8 V and up to 5.5 V. It is recommended that a small bypass ceramic capacitor (4.7 μF) be placed between the V<sub>IN</sub> and GND pins near the device. If the supply voltage drops below 1.9 V, the device stops switching.

**$\overline{\text{SHDN}}$**  is the shutdown logic input. When the pin is tied to a voltage lower than 0.4 V, the device is in shutdown mode, drawing nearly zero current. When the pin is connected to a voltage higher than 1.5 V, the device is enabled.

**GND** is the ground reference pin. This pin should be connected directly to the ground plane on the PCB.

**SW** pin is connected to the drain of the internal CMOS power switch of the boost converter. The inductor and the Schottky diode anode should be connected to the SW pin. Traces going to the SW pin should be as short as possible with minimum loop area. An over-voltage detection circuit is connected to the SW pin. When the voltage reaches 40 V, the device enters a low power operating mode preventing the SW voltage from exceeding the maximum rating.

**FB** feedback pin is regulated at 0.3 V. A resistor connected between the FB pin and ground sets the LED current according to the formula:

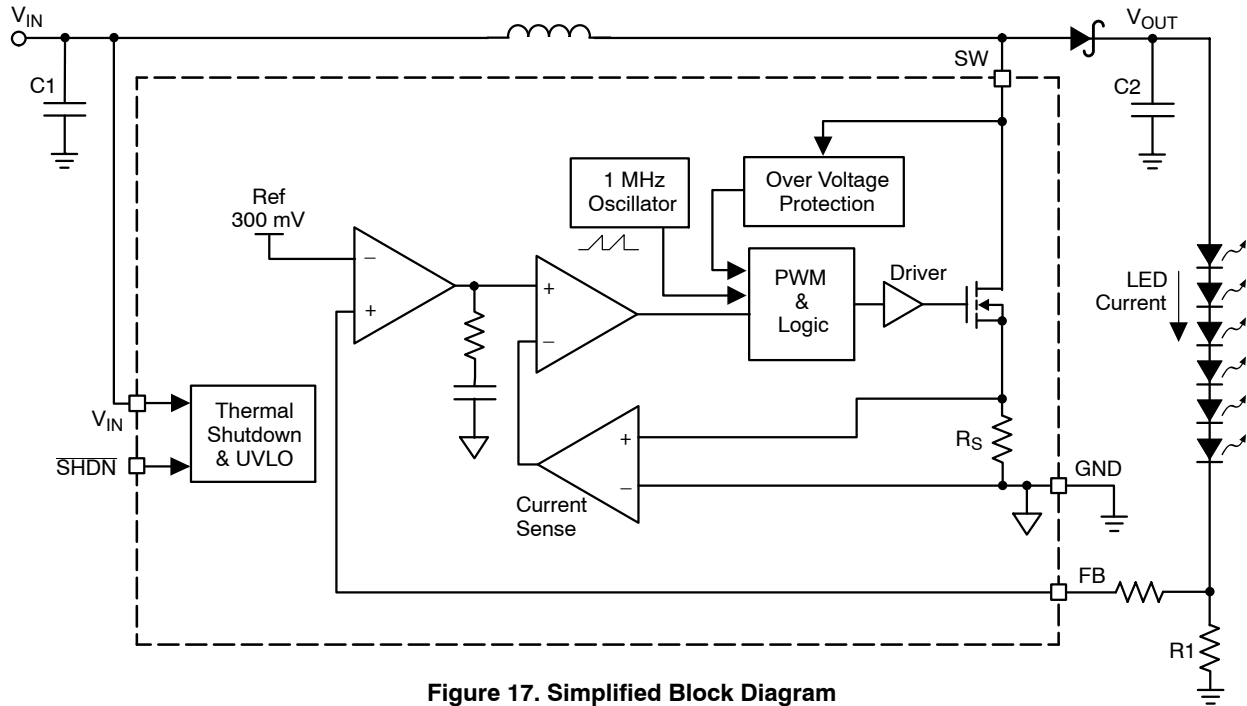
$$I_{\text{LED}} = \frac{0.3 \text{ V}}{R1}$$

The lower LED cathode is connected to the FB pin.

**Table 4. PIN DESCRIPTIONS**

Pin #	Name	Function
1	SW	Switch pin. This is the drain of the internal power switch.
2	GND	Ground pin. Connect the pin to the ground plane.
3	FB	Feedback pin. Connect to the last LED cathode.
4	$\overline{\text{SHDN}}$	Shutdown pin (Logic Low). Set high to enable the driver.
5	V <sub>IN</sub>	Power Supply input.

## Simplified Block Diagram



**Figure 17. Simplified Block Diagram**

**Device Operation**

The CAT4240 is a fixed frequency (1 MHz), low noise, inductive boost converter that provides a constant current with excellent line and load regulation. The device uses a high-voltage CMOS power switch between the SW pin and ground to energize the inductor. When the switch is turned off, the stored energy in the inductor is released into the load via the Schottky diode.

The on/off duty cycle of the power switch is internally adjusted and controlled to maintain a constant regulated voltage of 0.3 V across the feedback resistor connected to the feedback pin (FB). The value of the resistor sets the LED current accordingly ( $0.3 \text{ V}/R_1$ ).

During the initial power-up stage, the duty cycle of the internal power switch is limited to prevent excessive in-rush currents and thereby provide a “soft-start” mode of operation.

When the inductor is connected to a 9 V supply or higher, the CAT4240 can drive 6 LEDs in series at 300 mA delivering a total power of 6 Watts into the load. A separate 5 V supply voltage is connected to the VIN pin.

In the event of an “Open LED” fault condition, where the feedback control loop becomes open, the output voltage will continue to increase. Once this voltage exceeds 40 V, an internal protection circuit will become active and place the device into a very low power safe operating mode.

Thermal overload protection circuitry has been included to prevent the device from operating at unsafe junction temperatures above 150°C. In the event of a thermal overload condition the device will automatically shutdown and wait till the junction temperatures cools to 130°C before normal operation is resumed.

**Application Information**

**External Component Selection**

**Capacitors**

The CAT4240 only requires small ceramic capacitors of 4.7 µF on the inductor input, 1 µF on the VIN pin and 1 µF on the output. Under normal condition, a 4.7 µF input capacitor is sufficient. For applications with higher output power, a larger input capacitor of 10 µF may be appropriate. X5R and X7R capacitor types are ideal due to their stability across temperature range.

**Inductor**

A 47 µH inductor is recommended for most of the CAT4240 applications. In cases where the efficiency is critical, inductances with lower series resistance are preferred. Inductors with current rating of 800 mA or higher are recommended for most applications. Sumida CDRH6D28-470 47 µH inductor has a rated current of 800 mA and a series resistance (D.C.R.) of 176 mΩ typical.

**Schottky Diode**

The current rating of the Schottky diode must exceed the peak current flowing through it. The Schottky diode performance is rated in terms of its forward voltage at a given current. In order to achieve the best efficiency, this

forward voltage should be as low as possible. The response time is also critical since the driver is operating at 1 MHz. Central Semiconductor Schottky rectifier CMSH1-40 (1 A rated) is recommended for most applications.

**LED Current Setting**

The LED current is set by the external resistor R1 connected between the feedback pin (FB) and ground. The formula below gives the relationship between the resistor and the current:

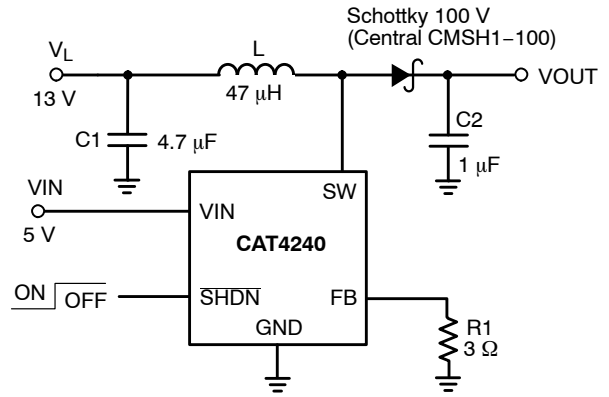
$$R_1 = \frac{0.3 \text{ V}}{\text{LED current}}$$

**Table 5. RESISTOR R1 AND LED CURRENT**

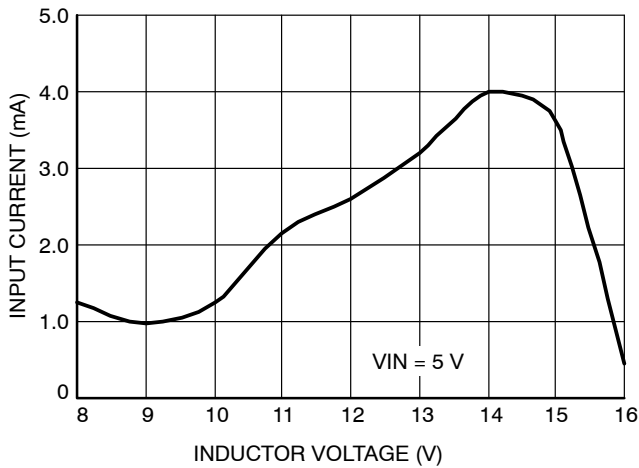
LED Current (mA)	R1 (Ω)
20	15
25	12
30	10
100	3
300	1

**Open LED Protection**

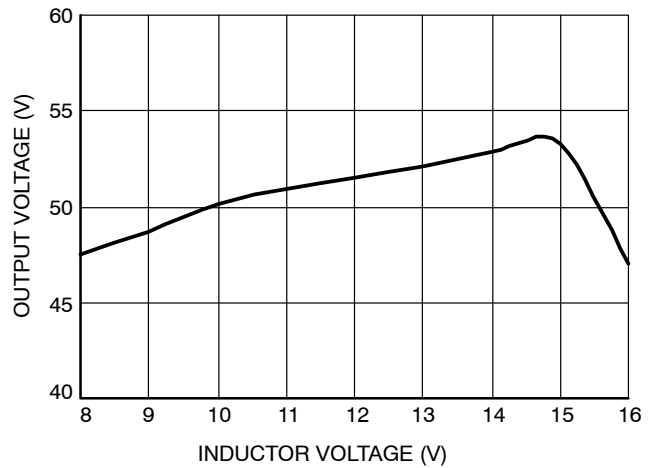
In the event of an “Open LED” fault condition, the CAT4240 will continue to boost the output voltage with maximum power until the output voltage reaches approximately 40 V. Once the output exceeds this level, the internal circuitry immediately places the device into a very low power mode where the total input power is limited to about 6 mW (about 1.6 mA input current with a 3.6 V supply). The SW pin clamps at a voltage below its maximum rating of 60 V. There is no need to use an external zener diode between Vout and the FB pin. A 50 V rated C<sub>2</sub> capacitor is required to prevent any overvoltage damage in the open LED condition.



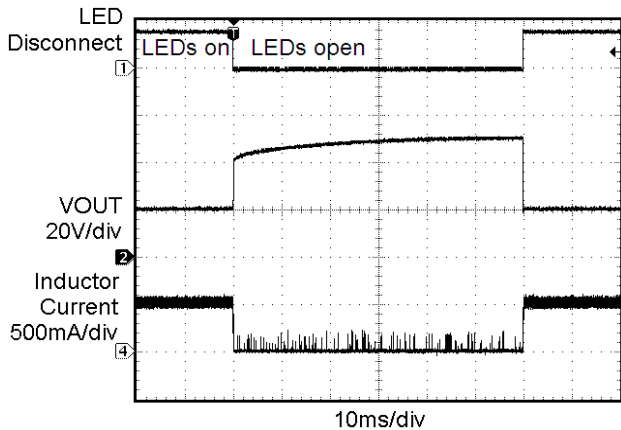
**Figure 18. Open LED Protection without Zener**



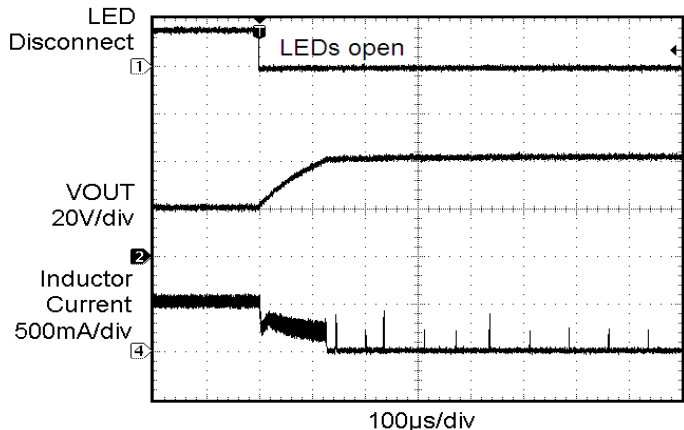
**Figure 19. Open LED Supply Current vs. V<sub>IN</sub> without Zener**



**Figure 20. Open LED Output Voltage vs. V<sub>IN</sub> without Zener**



**Figure 21. Open LED Disconnect and Reconnect**



**Figure 22. Open LED Disconnect**

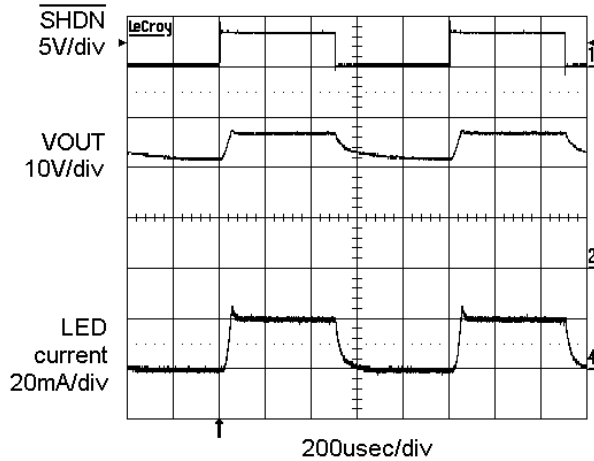


**Dimming Control**

There are several methods available to control the LED brightness.

**PWM Signal on the SHDN Pin**

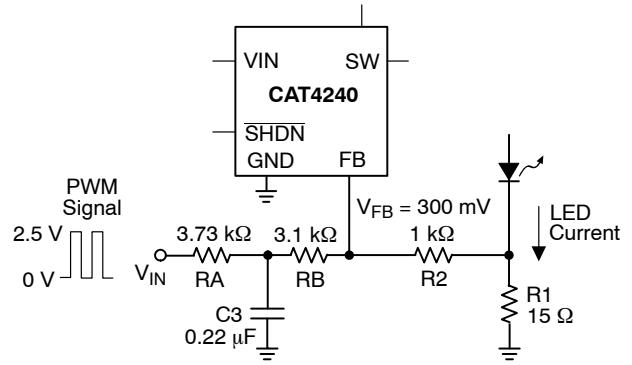
LED brightness dimming can be done by applying a PWM signal to the SHDN input. The LED current is repetitively turned on and off, so that the average current is proportional to the duty cycle. A 100% duty cycle, with SHDN always high, corresponds to the LEDs at nominal current. Figure 23 shows a 1 kHz signal with a 50% duty cycle applied to the SHDN pin. The recommended PWM frequency range is from 100 Hz to 2 kHz.



**Figure 23. Switching Waveform with 1 kHz PWM on SHDN**

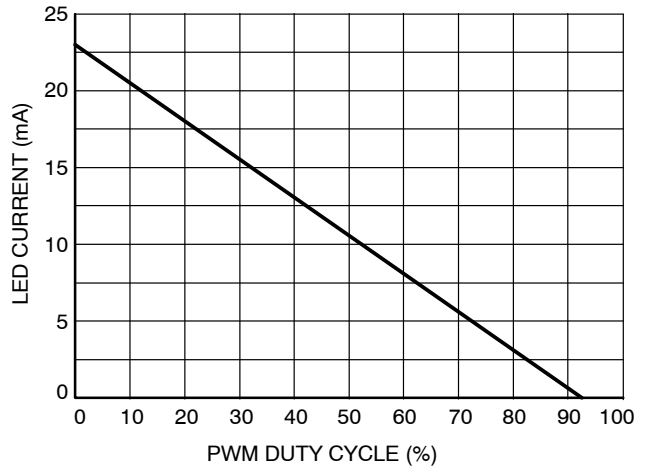
**Filtered PWM Signal**

A filtered PWM signal used as a variable DC voltage can control the LED current. Figure 24 shows the PWM control circuitry connected to the CAT4240 FB pin. The PWM signal has a voltage swing of 0 V to 2.5 V. The LED current can be dimmed within a range from 0 mA to 20 mA. The PWM signal frequency can vary from very low frequency up to 100 kHz.



**Figure 24. Circuit for Filtered PWM Signal**

A PWM signal at 0 V DC, or a 0% duty cycle, results in a max LED current of about 22 mA. A PWM signal with a 93% duty cycle or more, results in an LED current of 0 mA.



**Figure 25. Filtered PWM Dimming (0 V to 2.5 V)**

# CAT4240

## Board Layout

The CAT4240 is a high-frequency switching regulator. The traces that carry the high-frequency switching current have to be carefully laid out on the board in order to minimize EMI, ripple and noise in general. The thicker lines on Figure 26 show the switching current path. All these traces have to be short and wide enough to minimize the parasitic inductance and resistance. The loop shown on Figure 26 corresponds to the current path when the CAT4240 internal switch is closed. On Figure 27 is shown

the current loop, when the CAT4240 switch is open. Both loop areas should be as small as possible.

Capacitor  $C_1$  has to be placed as close as possible to the  $V_{IN}$  pin and GND. The capacitor  $C_2$  has to be connected separately to the top LED anode. A ground plane under the CAT4240 allows for direct connection of the capacitors to ground. The resistor  $R_1$  must be connected directly to the GND pin of the CAT4240 and not shared with the switching current loops and any other components.

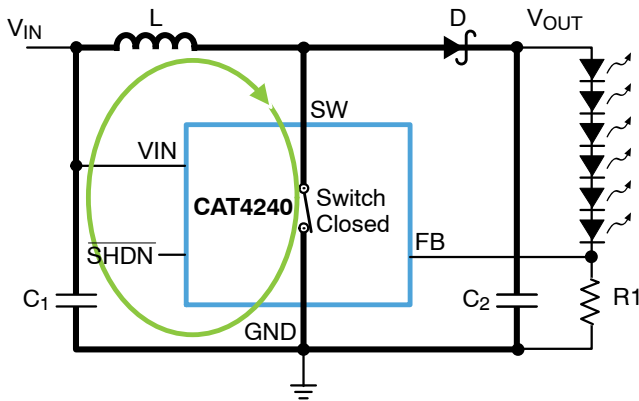


Figure 26. Closed-switch Current Loop

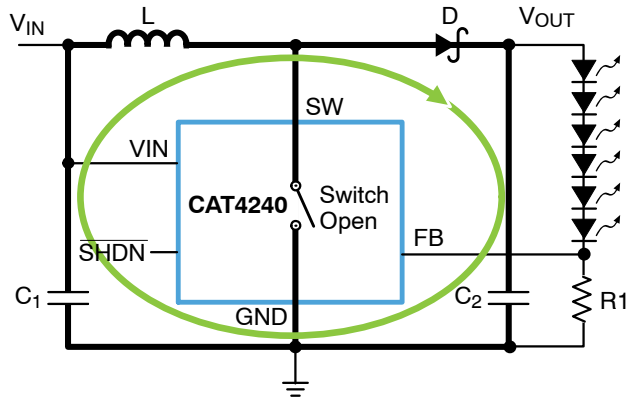


Figure 27. Open-switch Current Loop

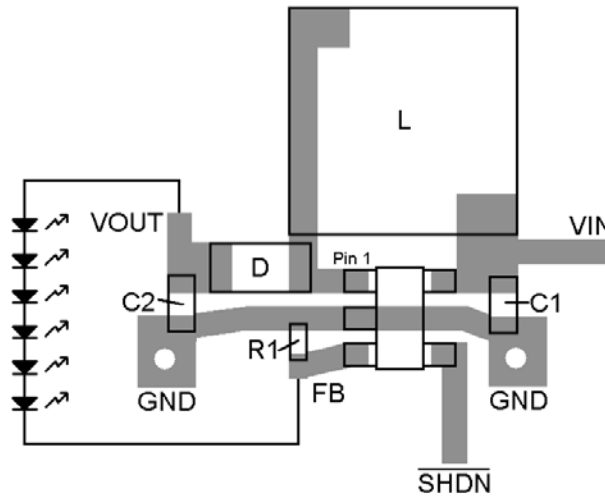
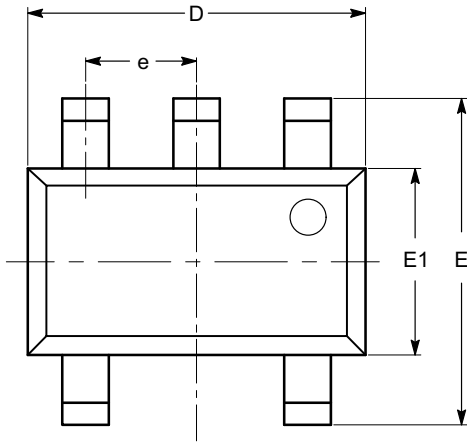


Figure 28. Recommended PCB Layout

# CAT4240

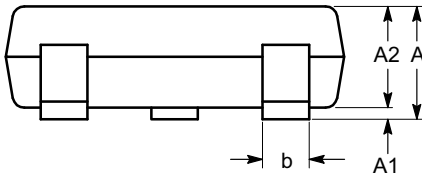
## PACKAGE DIMENSIONS

TSOT-23, 5 LEAD  
CASE 419AE-01  
ISSUE O

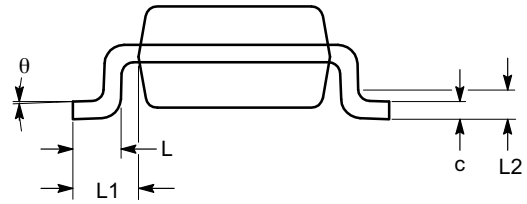


TOP VIEW

SYMBOL	MIN	NOM	MAX
A			1.00
A1	0.01	0.05	0.10
A2	0.80	0.87	0.90
b	0.30		0.45
c	0.12	0.15	0.20
D	2.90 BSC		
E	2.80 BSC		
E1	1.60 BSC		
e	0.95 TYP		
L	0.30	0.40	0.50
L1	0.60 REF		
L2	0.25 BSC		
$\theta$	0°		8°



SIDE VIEW



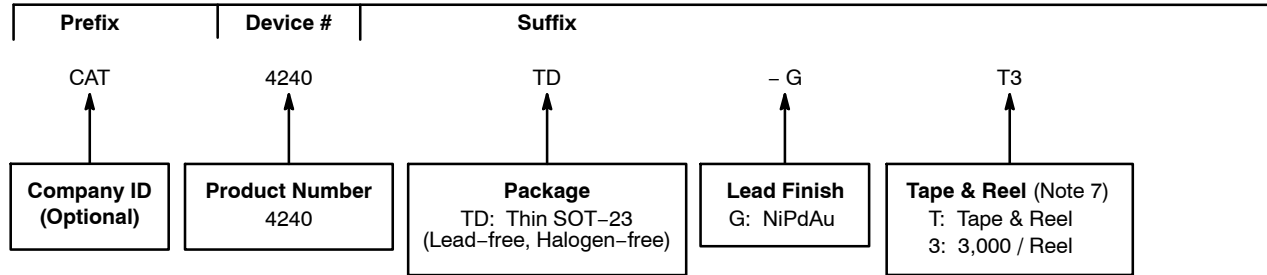
END VIEW

**Notes:**

- (1) All dimensions are in millimeters. Angles in degrees.
- (2) Complies with JEDEC MO-193.

# CAT4240


## Example of Ordering Information (Note 4)



## SERIES LED DRIVERS

Part Number	Description
CAT4137	CMOS Boost Converter – White LED Driver
CAT4237	High Voltage CMOS Boost White LED Driver
CAT4238	High Efficiency 10 LED Boost Converter
CAT4139	22 V High Current Boost White LED Driver
CAT4240	6 Watt Boost LED Driver

- All packages are RoHS-compliant (Lead-free, Halogen-free).
- The standard lead finish is NiPdAu.
- The device used in the above example is a CAT4240TD-GT3 (TSOT-23, NiPdAu, Tape & Reel, 3,000/Reel).
- For additional package and temperature options, please contact your nearest ON Semiconductor Sales office.
- Switch current limit, typical values.
- For information on tape and reel specifications, including part orientation and tape sizes, please refer to our Tape and Reel Packaging Specifications Brochure, BRD8011/D.

ON Semiconductor and  are registered trademarks of Semiconductor Components Industries, LLC (SCILLC). SCILLC reserves the right to make changes without further notice to any products herein. SCILLC makes no warranty, representation or guarantee regarding the suitability of its products for any particular purpose, nor does SCILLC assume any liability arising out of the application or use of any product or circuit, and specifically disclaims any and all liability, including without limitation special, consequential or incidental damages. "Typical" parameters which may be provided in SCILLC data sheets and/or specifications can and do vary in different applications and actual performance may vary over time. All operating parameters, including "Typicals" must be validated for each customer application by customer's technical experts. SCILLC does not convey any license under its patent rights nor the rights of others. SCILLC products are not designed, intended, or authorized for use as components in systems intended for surgical implant into the body, or other applications intended to support or sustain life, or for any other application in which the failure of the SCILLC product could create a situation where personal injury or death may occur. Should Buyer purchase or use SCILLC products for any such unintended or unauthorized application, Buyer shall indemnify and hold SCILLC and its officers, employees, subsidiaries, affiliates, and distributors harmless against all claims, costs, damages, and expenses, and reasonable attorney fees arising out of, directly or indirectly, any claim of personal injury or death associated with such unintended or unauthorized use, even if such claim alleges that SCILLC was negligent regarding the design or manufacture of the part. SCILLC is an Equal Opportunity/Affirmative Action Employer. This literature is subject to all applicable copyright laws and is not for resale in any manner.

## PUBLICATION ORDERING INFORMATION

### LITERATURE FULFILLMENT:

Literature Distribution Center for ON Semiconductor  
P.O. Box 5163, Denver, Colorado 80217 USA  
Phone: 303-675-2175 or 800-344-3860 Toll Free USA/Canada  
Fax: 303-675-2176 or 800-344-3867 Toll Free USA/Canada  
Email: [orderlit@onsemi.com](mailto:orderlit@onsemi.com)

**N. American Technical Support:** 800-282-9855 Toll Free  
USA/Canada  
**Europe, Middle East and Africa Technical Support:**  
Phone: 421 33 790 2910  
**Japan Customer Focus Center**  
Phone: 81-3-5773-3850

**ON Semiconductor Website:** [www.onsemi.com](http://www.onsemi.com)

**Order Literature:** <http://www.onsemi.com/orderlit>

For additional information, please contact your local Sales Representative