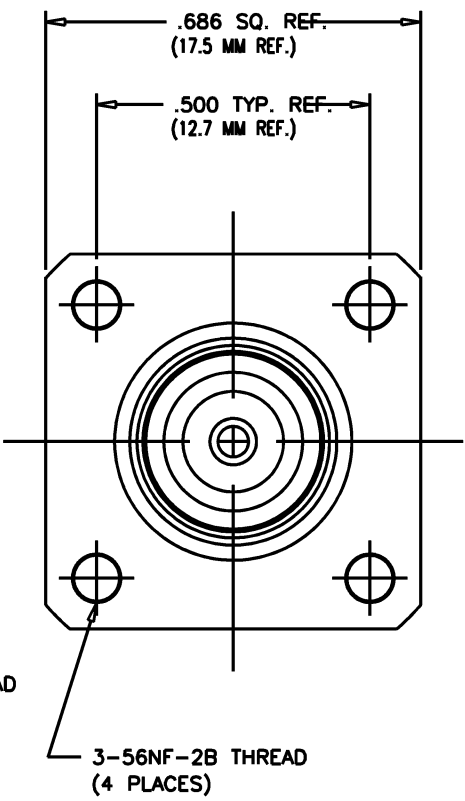
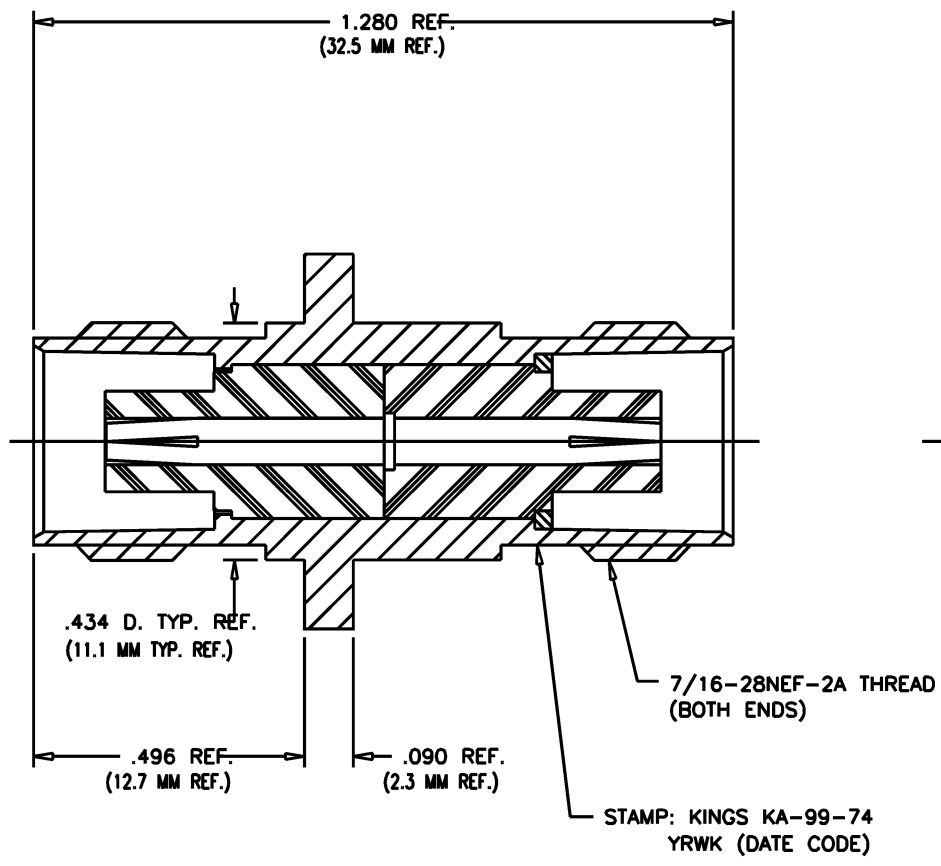


DASH NO.	M CODE	MADE FROM
----------	--------	-----------

SD

KA-99-74

REVISIONS	
ISSUE	CHANGES
0	ER 19608 MJB 09/13/79
1	CN 39053 C REDRAWN HVN 03/04/04
2	CN 39564 C JPK 08/08/06



NOTE:
1. SAME AS KA-91-04 EXCEPT FOR FINISH & MARKING.

SCALE 4:1	
APPROX SURFACE AREA	
USED ON	
REF:	
TNC PANEL ADAPTER (F-F)	
DRAWN HVN	DATE 03/03/04
DESIGN LI	DATE 09/13/79
APPR.	DATE
KINGS ELECTRONICS CO., INC. ROCK HILL, SOUTH CAROLINA 29730	
KA-99-74	

KA-99-74S

SD