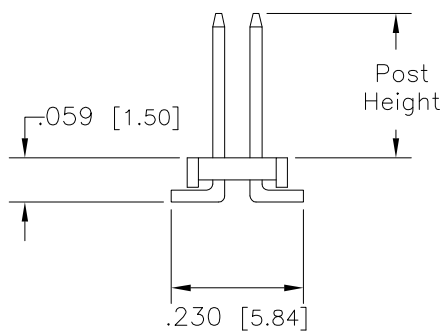
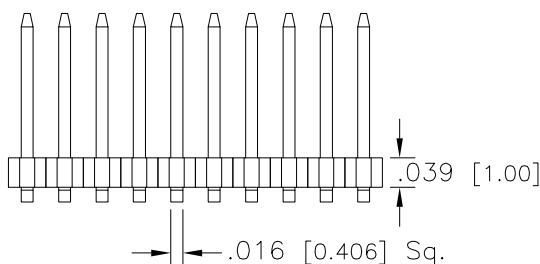
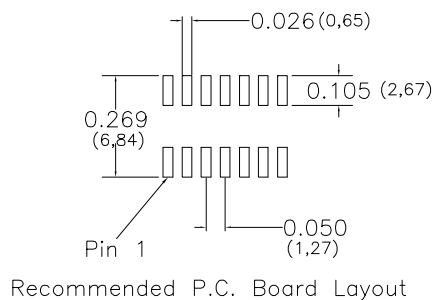
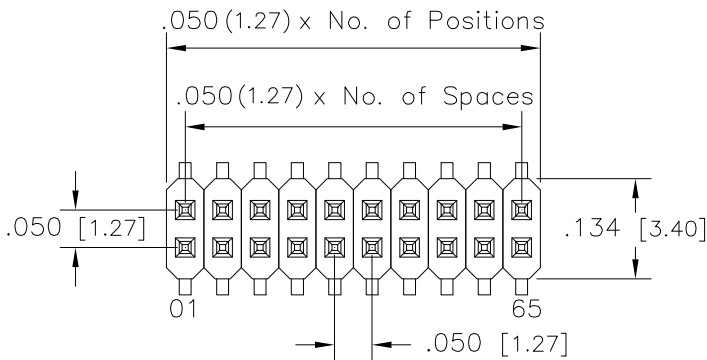


Major League Electronics .050x.050 cl Terminal Strip Headers Low Profile - Surface Mount - Vertical



Tails may be clipped to achieve desired pin length

Ordering Information

LTSHSM-5 [XX] - [D] - [XX] - [XX] - [V] - [XX] - [XX] - [X] - [LF]
 Pins Per Row: 03 - 33
 Row Specification: D = Dual Row
 Lead Free

Packing Information
 TR-P = Tape and Reel with Plastic Pick and Place pad
 TB-P = Tube with Plastic Pick and Place pad
 TB-0 = Tube without Pick and Place Pad
 If left blank, packaging at MLE's discretion
 Pad may be metal, mylar or plastic

Polarized Position
 Leave blank if not needed
 If required, specify empty pin position, e.g. 012 for Pin 12

Vertical

Pin Options		
Post Height		
.065	1.65mm	02
.075	1.91mm	04
.120	3.05mm	06

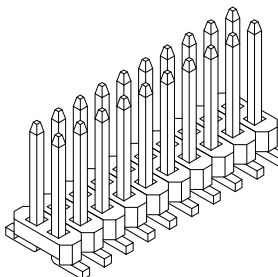
Plating Options	
G	10µ Gold on Contact Area / Flash on Tail
T	Matte Tin All Over
GT	10µ Gold on Contact Area / Matte Tin on Tail
H	30µ Gold on Contact Area / Matte Tin on Tail
F	Gold Flash over Entire Pin

Specifications

Current Rating: 1.0 Ampere
 Insulation Resistance: 1000MΩ Min.
 Dielectric Withstanding: 300V AC
 Contact Resistance: 20 mΩ Max.
 Operating Temperature: -40°C to + 105°C
 Max. Process Temperature:
 Peak: 260°C up to 10 secs.
 Process: 230°C up to 60 secs.
 Wave: 260°C up to 6 secs.
 Reflow: 260°C up to 10 secs.
 Manual Solder: 350°C up to 5 secs.

Materials

Contact Material: Phosphor Bronze
 Insulator Material: Nylon 6T
 Plating: Au or Sn over 50µ" (1.27) Ni



Mates with:
 LSSHs,
 SMSS,
 SSHS

Products cut to specific sizes are uncancellable/nonreturnable Parts are subject to change without notice

LTSHSM-5-DV SERIES .050x.050 cl Dual Row - Surface Mount Terminal Strip Headers - Low Profile - Custom **06 MAR 07**

Scale
 NTS

UNLESS OTHERWISE SPECIFIED DIMENSIONS IN INCHES (MM) TOLERANCES ARE:

ONE PLACE DECIMALS ±.100
 TWO PLACE DECIMALS ±.010
 THREE PLACE DECIMALS ±.005
 FOUR PLACE DECIMALS ±.0020
 ANGLES ±5°



4235 Earnings Way, New Albany, Indiana, 47150, USA
 1-800-782-3486 (USA/Canada/Mexico)
 Tel: 812-944-7244
 Fax: 812-944-7268
 E-mail: mle@mlelectronics.com
 Web: www.mlelectronics.com

Edition
 1

Sheet
 1/1