

Customer Information Sheet

DRAWING No.: M20-949XX45

SHEET 2 OF 2

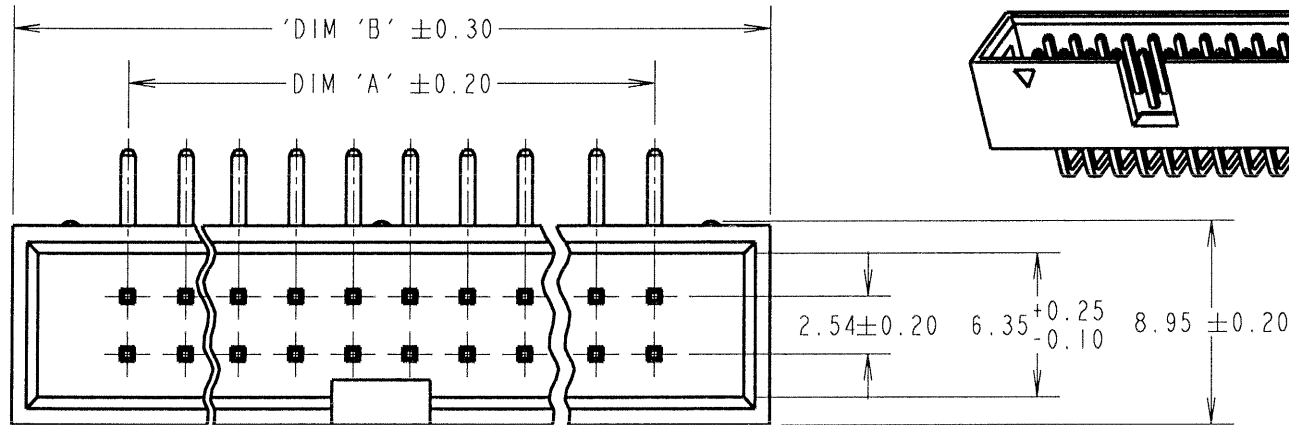
IF IN DOUBT - ASK

(C)

NOT TO SCALE

THIRD ANGLE PROJECTION

ALL DIMENSIONS IN mm



SPECIFICATIONS:

MATERIAL:
 MOULDING = NYLON 6T, UL94V-0, BLACK
 CONTACT = BRASS

FINISH:
 45 = GOLD FLASH OVER NICKEL

ELECTRICAL:
 CURRENT RATING = 3A (AT 25°C)
 INSULATION RESISTANCE:
 INITIAL = 1,000,000Ω MIN
 AFTER CONDITIONING = 10,000Ω MIN
 CONTACT RESISTANCE:
 INITIAL = 15mΩ MAX
 AFTER CONDITIONING = 25mΩ MAX
 VOLTAGE PROOF = 750V AC/DC

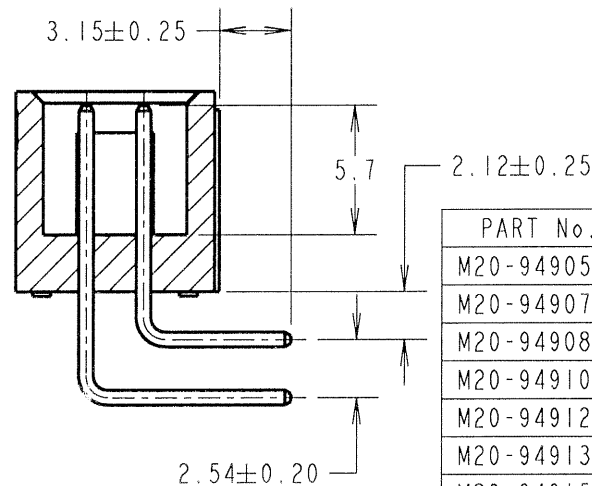
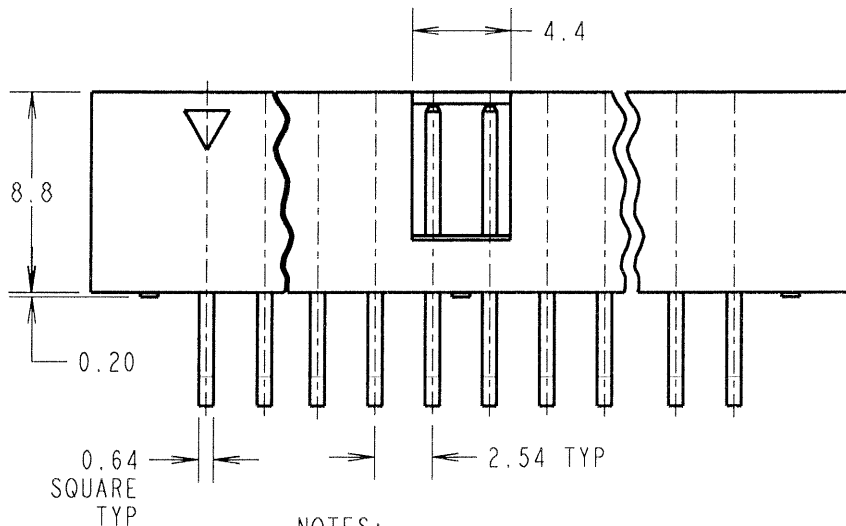
MECHANICAL:
 DURABILITY = 300 OPERATIONS

ENVIRONMENTAL:
 OPERATING TEMP = -40°C TO +105°C

ORDER CODE:

M20-949XX45

No. OF WAYS PER ROW ———
 SEE TABLE
 FINISH: ———
 45 = GOLD



PART No.	DIM A	DIM B
M20-9490545	10.16	20.30
M20-9490745	15.24	25.40
M20-9490845	17.78	27.95
M20-9491045	22.85	33.05
M20-9491245	27.94	38.15
M20-9491345	30.48	40.65
M20-9491545	35.56	45.70
M20-9491745	40.64	50.80
M20-9492045	48.26	58.40
M20-9492545	60.96	71.12

JMB	6	26.01.07	9663
NAME	ISS.	DATE	C/NOTE
APPROVED: <i>JMB</i>			
CHECKED: <i>[Signature]</i>			
DRAWN: JM BROOKES			
CUSTOMER REF.:			
ASSEMBLY DRG:			

NOTES:

1. RECOMMENDED HOLE SIZE = $\varnothing 1.02$ mm
2. FOR COMPLETE ELECTRICAL/MECHANICAL SPECIFICATION SEE COMPONENT SPEC C001XX (LATEST ISSUE).

HARWIN

THIS DRAWING AND ANY INFORMATION OR DESCRIPTIVE MATTER SET OUT HEREON ARE CONFIDENTIAL AND COPYRIGHT PROPERTY OF THE HARWIN GROUP AND MUST NOT BE DISCLOSED, LOANED, COPIED OR USED FOR MANUFACTURING, TENDERING OR FOR ANY OTHER PURPOSE WITHOUT THEIR WRITTEN PERMISSION.

TOLERANCES

X. = ±1mm
 X.X = ±0.25mm
 X.XX = ±0.10mm
 X.XXX = ±0.01mm
 ANGLES = ±5°
 UNLESS STATED

MATERIAL:

SEE ABOVE

FINISH: SEE ABOVE

S/AREA: mm²

TITLE:

2.54mm PITCH DIL 90°
 BOX PIN HEADER

DRAWING NUMBER:

M20-949XX45

SHT
 2
 OF
 2

HARWIN INC
 U.S.A.

TEL: (812) 542 2540
 FAX: (812) 542 2541

HARWIN PLC
 U.K.

TEL: 023 9231 4545
 FAX: 023 9231 4590

HARWIN PTE
 SINGAPORE

TEL: 65 6779 4909
 FAX: 65 6779 3868