

ADVANCE INFORMATION

All information in this data sheet is preliminary and subject to change.

7/95

MAXIM

Dual-Channel Cardbus and PCMCIA VCC/VPP Power-Switching Network

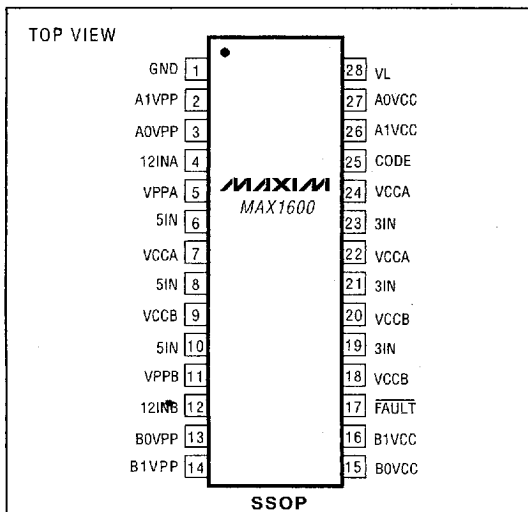
General Description

The MAX1600 DC power-switching IC contains a network of low-resistance MOSFET switches that deliver selectable VCC and VPP voltages to two Cardbus or PCMCIA host sockets. Key features include very low-resistance switches, small packaging, soft-switching action, and compliance with PCMCIA specifications for 3V/5V switching. 3.3V-only power switching for fast, 32-bit Cardbus applications is supported in two ways: stiff, low-resistance 3.3V switches allow high 3.3V load currents (up to 1A); and completely independent internal charge pumps let the 3.3V switch operate normally, even if the 5V and 12V supplies are disconnected or turned off in order to conserve power. The internal charge pumps are regulating types that draw reduced input current when the VCC switches are static. Also, power consumption is automatically reduced to 10 μ A when the control logic inputs are programmed to high-Z or GND states, unlike other solutions that may require a separate shutdown control input.

Other key features include guaranteed specifications for output current limiting level, and guaranteed specifications for output rise/fall times (in compliance with PCMCIA specifications). Reliability is enhanced by thermal overload protection, accurate current limiting, overcurrent fault flag output, undervoltage lockout, and extra ESD protection at the VCC/VPP outputs. The CMOS/TTL-logic interface is flexible, and works properly with logic input levels in excess of the positive supply rail.

The MAX1600 fits two complete Cardbus/PCMCIA switches into a space-saving, narrow (0.2", 5mm wide) shrink small-outline package.

Pin Configuration



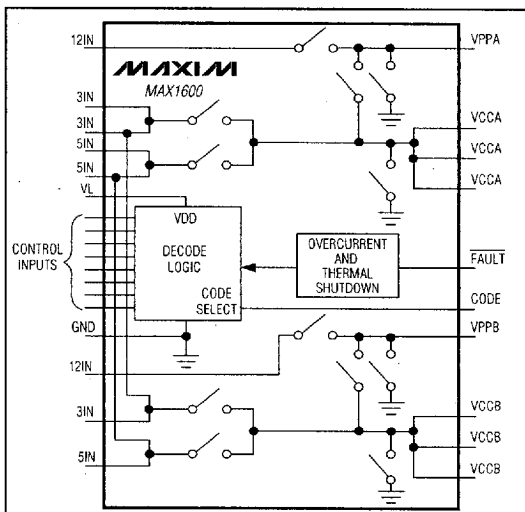
Features

- ◆ Supports Two PCMCIA/Cardbus Sockets
- ◆ 1A, 0.08 Ω Max 3.3V VCC Switch
- ◆ 1A, 0.14 Ω Max 5V VCC Switch
- ◆ Soft Switching for Low Inrush Surge Current
- ◆ Overcurrent Protection
- ◆ Overcurrent/Thermal Fault Flag Output
- ◆ Thermal Shutdown at T_J = 150°C
- ◆ Independent Internal Charge Pumps
- ◆ Break-Before-Make Switching Action
- ◆ 10 μ A Max Standby Supply Current
- ◆ 5V and 12V Not Required for Low-R_{DS(ON)} 3.3V Switching
- ◆ Complies with PCMCIA 3V/5V Switching Specifications
- ◆ Super-Small 28-Pin SSOP Package (0.2" or 5mm wide)
- ◆ Code Compatible with:
 - Cirrus CL-PD67XX Family
 - Databook DB86184
 - Intel 82365SL (industry-standard coding for most PCMCIA controller ICs)

Applications

- | | |
|--------------------|--------------------------|
| Desktop Computers | Data Loggers |
| Notebook Computers | Digital Cameras |
| Docking Stations | Printers |
| Handy-Terminals | PCMCIA Read/Write Drives |

Simplified Block Diagram



MAXIM

Maxim Integrated Products 4-11

Call toll free 1-800-998-8800 for free samples or literature.

■ 5876651 0011596 636 ■

MAX1600

4

Dual-Channel Cardbus and PCMCIA VCC/VPP Power-Switching Network

ABSOLUTE MAXIMUM RATINGS

Inputs/Outputs to GND		
(VL, 3IN, 5IN, VCCA, VCCB) (Note 1)	-0.3V, +6V	
VPP Inputs/Outputs to GND		
(12INA, 12INB, VPPA, VPPB) (Note 1)	-0.3V, +15V	
Logic Inputs to GND (A0VCC, A1VCC, B0VCC, B1VCC, A0VPP, A1VPP, B0VPP, B1VPP) (Note 1)	-0.3V, +6V	
CODE Input to GND	-0.3V, (VL + 0.3V)	
VCCA, VCCB Output Current (Note 2)	2A	
VPPA, VPPB Output Current (Note 2)	250mA	
VCCA, VCCB Short Circuit to GND	Continuous	
VPPA, VPPB Short Circuit to GND	Continuous	
ESD Protection (VCC/VPP outputs)	4000V Minimum	
ESD Protection (other pins)	2000V Minimum	
Continuous Power Dissipation (TA = +70°C)		
SSOP (derate 9.52mW/°C above +70°C)	762mW	
Operating Temperature Ranges		
MAX1600CAI	0°C to +70°C	
MAX1600EAI	-40°C to +85°C	
Storage Temperature Range	-65°C to +160°C	
Lead Temperature (soldering, 10sec)	+300°C	

Note 1: There are no parasitic diodes between any of these pins, so there are no power-up sequencing restrictions (for example, logic input signals can be applied even if all of the supply voltage inputs are grounded).

Note 2: VCC and VPP outputs are internally current-limited to safe values. See the *Electrical Characteristics* table.

Stresses beyond those listed under "Absolute Maximum Ratings" may cause permanent damage to the device. These are stress ratings only, and functional operation of the device at these or any other conditions beyond those indicated in the operational sections of the specifications is not implied. Exposure to absolute maximum rating conditions for extended periods may affect device reliability.

ELECTRICAL CHARACTERISTICS

(VL = 3IN = 3.3V, 5IN = 5V, 12INA = 12INB = 12V, TA = TMIN to TMAX, unless otherwise noted.)

PARAMETER	CONDITIONS	MIN	TYP	MAX	UNITS
POWER-SUPPLY SECTION					
Input Voltage Range	3IN, 5IN or VL	3		5.5	V
	12INA, 12INB	11		13	
Undervoltage Lockout Threshold	Falling edge, hysteresis = 1%, 3IN or 5IN	2.3	2.5	2.8	V
Standby Supply Current	3IN or 5IN, all switches 0V or high-Z, control inputs = 0V or VL	TA = +25°C	1	10	µA
		TA = TMIN to TMAX	1	20	
3IN Quiescent Supply Current	Any combination of 3IN switches on, control inputs = 0V or VL, no VCC loads		30	200	µA
5IN Quiescent Supply Current	Any combination of 5IN switches on, control inputs = 0V or high-Z, no VCC loads		35	200	µA
12IN_ Standby Supply Current	12INA tied to 12INB, all switches 0V or high-Z, control inputs = 0V or VL	TA = +25°C	1	10	µA
		TA = TMIN to TMAX		20	
12IN_ Quiescent Supply Current	12INA tied to 12INB, VPPA and VPPB 12V switches on, control inputs = 0V or VL, no VPP loads		15	100	µA
VL Standby Supply Current	All switches 0V or high-Z, control inputs = 0V or VL		3.8	10	µA
VL Quiescent Supply Current	Any combination of switches on		25	300	µA
VL Fall Rate	When using VL as shutdown pin	0.25			V/sec
VCC SWITCHES					
Operating Output Current Range	VCCA or VCCB, 3IN = 5IN = 3V to 5.5V	0		1	A
On-Resistance, 3V Switches	3IN = VL = 3V, ISWITCH = 1A, TA = +25°C		0.06	0.08	Ω
On-Resistance, 5V Switches	5IN = 4.5V, 3IN = 3V to 3.6V, ISWITCH = 1A, TA = +25°C		0.10	0.14	Ω
Output Current Limit	VCCA or VCCB	1.5		3	A
Output Sink Current	VCCA or VCCB < 0.4V, programmed to 0V state	20			mA
Output Leakage Current	VCCA or VCCB forced to 0V, high-Z state			10	µA

Dual-Channel Cardbus and PCMCIA VCC/VPP Power-Switching Network

MAX1600

ELECTRICAL CHARACTERISTICS (continued)

(VL = 3IN = 3.3V, 5IN = 5V, 12INA = 12INB = 12V, TA = TMIN to TMAX, unless otherwise noted.)

PARAMETER	CONDITIONS	MIN	TYP	MAX	UNITS
Output Propagation Delay Plus Rise Time	VCCA or VCCB, 0V to 3IN or 5IN, CL = 30µF, RL = 25Ω, 50% of input to 90% of output (Note 3)			10	ms
Output Rise Time	VCCA or VCCB, 0V to 3IN or 5IN, CL = 1µF, RL = open circuit, 10% to 90% points (Note 3)	100			µs
Output Propagation Delay Plus Fall Time	VCCA or VCCB, 3IN or 5IN to 0V, CL = 30µF, RL = open circuit, 50% of input to 10% of output (Note 3)			60	ms
Output Fall Time	VCCA or VCCB, 3IN or 5IN to 0V, CL = 1µF, RL = 25Ω, 90% to 10% points (Note 3)	3			ms
VPP SWITCHES					
Operating Output Current Range	VPPA or VPPB	0		120	mA
On-Resistance, 12V Switches	12IN = 11.6V, ISWITCH = 100mA, TA = +25°C		0.65	1	Ω
On-Resistance, VPP = VCC Switches	Programmed to 5IN (5V) or 3IN (3.3V)		1	3	Ω
Output Current Limit	VPPA or VPPB	130	200	260	mA
Output Sink Current	VPPA or VPPB < 0.4V, programmed to 0V state	10			mA
Output Leakage Current	VPPA or VPPB forced to 0V, high-Z state			10	µA
Output Propagation Delay Plus Rise Time	VPPA or VPPB, 0V to 12IN, CL = 0.1µF, 50% of input to 90% of output (Note 3)			30	ms
Output Rise Time	VPPA or VPPB, 0V to 12IN, CL = 0.1µF, 10% to 90% points (Note 3)	1			ms
Output Propagation Delay Plus Fall Time	VPPA or VPPB, 12IN to 0V, CL = 0.1µF, 50% of input to 10% of output (Note 3)			60	ms
Output Fall Time	VPPA or VPPB, 12IN to 0V, CL = 0.1µF, 90% to 10% points (Note 3)	1			ms
INTERFACE AND LOGIC SECTION					
FAULT Signal Propagation Delay	VCC_ or VPP_ load step to FAULT output, 50% point to 50% point (Note 4)			2	µs
FAULT Output Low Voltage	ISINK = 1mA, low state			0.4	V
FAULT Output Leakage Current	VFAULT = 5.5V, high state	-0.5		0.5	µA
Thermal Shutdown Threshold	Hysteresis = 20°C		150		°C
Logic Input Low Voltage	__VCC, __VPP			0.6	V
Logic Input High Voltage	__VCC, __VPP	1.5			V
Code Input Low Voltage	"Cirrus" code	0		0.4	V
Code Input High Voltage	"Intel" code	VL - 0.4		VL	V
Code Input Mid-Level Voltage	"Databook" code	1.2		VL - 1.2	V
Logic Input Bias Current	__VCC, __VPP, code	-1		1	µA

Note 3: VCC/VPP timing specifications are 100% tested.

Note 4: Design target value, not production tested.

MAXIM

4-13

■ 5876651 0011598 409 ■

4

Dual-Channel Cardbus and PCMCIA VCC/VPP Power-Switching Network

Pin Description

PIN	NAME	FUNCTION
1	GND	Ground
2, 3	A1VPP, A0VPP	VPP Control Inputs, channel A. See <i>Logic Truth Tables</i> .
4	12INA	12V Supply Voltage Input, internally connects to channel A VPP switch. Tie to VPPA if not used.
5	VPPA	0V/VCC/12V/high-Z VPP Output (channel A). Bypass to GND with 0.01 μ F for ESD protection.
6, 8, 10	5IN	5V Supply Voltage Inputs. 5IN pins must be connected together. Input range is 3V to 5.5V.
7, 22, 24	VCCA	0V/3.3V/5V/high-Z VCC Output (channel A). Bypass to GND with 0.01 μ F for ESD protection.
9, 18, 20	VCCB	0V/3.3V/5V/high-Z VCC Output (channel B). Bypass to GND with 0.01 μ F for ESD protection.
11	VPPB	0V/VCC/12V/high-Z VPP Output (channel B). Bypass to GND with 0.01 μ F for ESD protection.
12	12INB	12V Supply Voltage Input, internally connects to channel B VPP switch. Tie to VPPB if not used.
13, 14	B0VPP, B1VPP	VPP Control Inputs, channel B. See <i>Logic Truth Tables</i> .
15, 16	B0VCC, B1VCC	VCC Control Inputs, channel B. See <i>Logic Truth Tables</i> .
17	FAULT	Fault-Detection Output. FAULT goes low if either channel VCC or VPP switch is current limiting or if the thermal protection circuit is activated. FAULT is an open-drain output that requires an external pull-up resistor.
19, 21, 23	3IN	3.3V Supply Voltage Inputs. 3IN pins must be connected together. Input range is 3V to 5.5V.
25	CODE	Three-Level Code-Select Input. Reconfigures the logic decoder to one of three different code formats. See <i>Logic Truth Tables</i> . An additional 1 μ A (3 μ A max) of VL supply current will flow if CODE = mid-supply (VL/2). Low = Standard code (82365SL) High = "Cirrus" code Mid-supply = "Databook" code (tie CODE to a 1M Ω + 1M Ω resistor divider between VL and GND for "Databook" coding).
26, 27	A1VCC, A0VCC	VCC Control Inputs, channel A. See <i>Logic Truth Tables</i> .
28	VL	Logic Supply Voltage Input, usually connected to the 3.3V host system supply. Input range is 3V to 5.5V. If VL is disconnected or grounded, the device will enter standby mode. VL can be supplied via the output of a CMOS-logic gate, in order to produce an overriding shutdown. When being used as a shutdown input, VL should have an additional 0.01 μ F bypass capacitor to GND.

Dual-Channel Cardbus and PCMCIA VCC/VPP Power-Switching Network

Logic Truth Tables

MAX1600

**Table 1. "Standard" Code (82365SL),
CODE = GND**

_1VCC	_0VCC	_1VPP	_0VPP	VCC_	VPP_	MODE
0	0	0	0	GND	GND	STBY
0	0	0	1	GND	GND	STBY
0	0	1	0	GND	GND	STBY
0	0	1	1	GND	GND	STBY
0	1	0	0	3IN	GND	---
0	1	0	1	3IN	VCC_	---
0	1	1	0	3IN	12IN	---
0	1	1	1	3IN	High-Z	---
1	0	0	0	5IN	GND	---
1	0	0	1	5IN	VCC_	---
1	0	1	0	5IN	12IN	---
1	0	1	1	5IN	High-Z	---
1	1	0	0	3IN	GND	---
1	1	0	1	3IN	VCC_	---
1	1	1	0	3IN	12IN	---
1	1	1	1	3IN	High-Z	---

STBY = Standby Mode

**Table 2. "Cirrus" Code,
CODE = High (VL)**

_1VCC	_0VCC	_1VPP	_0VPP	VCC_	VPP_	MODE
0	0	0	0	High-Z	High-Z	STBY
0	0	0	1	High-Z	High-Z	STBY
0	0	1	0	High-Z	High-Z	STBY
0	0	1	1	High-Z	High-Z	STBY
0	1	0	0	5IN	GND	---
0	1	0	1	5IN	VCC_	---
0	1	1	0	5IN	12IN	---
0	1	1	1	5IN	High-Z	---
1	0	0	0	3IN	GND	---
1	0	0	1	3IN	VCC_	---
1	0	1	0	3IN	12IN	---
1	0	1	1	3IN	High-Z	---
1	1	0	0	GND	GND	STBY
1	1	0	1	GND	GND	STBY
1	1	1	0	GND	GND	STBY
1	1	1	1	GND	GND	STBY

STBY = Standby Mode

4

**Table 3. "Databook" Code,
CODE = Mid-Supply (VL/2)**

_1VCC	_0VCC	_1VPP	_0VPP	VCC_	VPP_	MODE
0	0	0	X	GND	High-Z	STBY
0	0	1	X	3IN	12IN	---
0	1	0	X	GND	GND	STBY
0	1	1	X	5IN	12IN	---
1	0	0	X	3IN	VCC_	---
1	0	1	X	3IN	GND	---
1	1	0	X	5IN	VCC_	---
1	1	1	X	5IN	GND	---

STBY = Standby Mode

Dual-Channel Cardbus and PCMCIA VCC/VPP Power-Switching Network

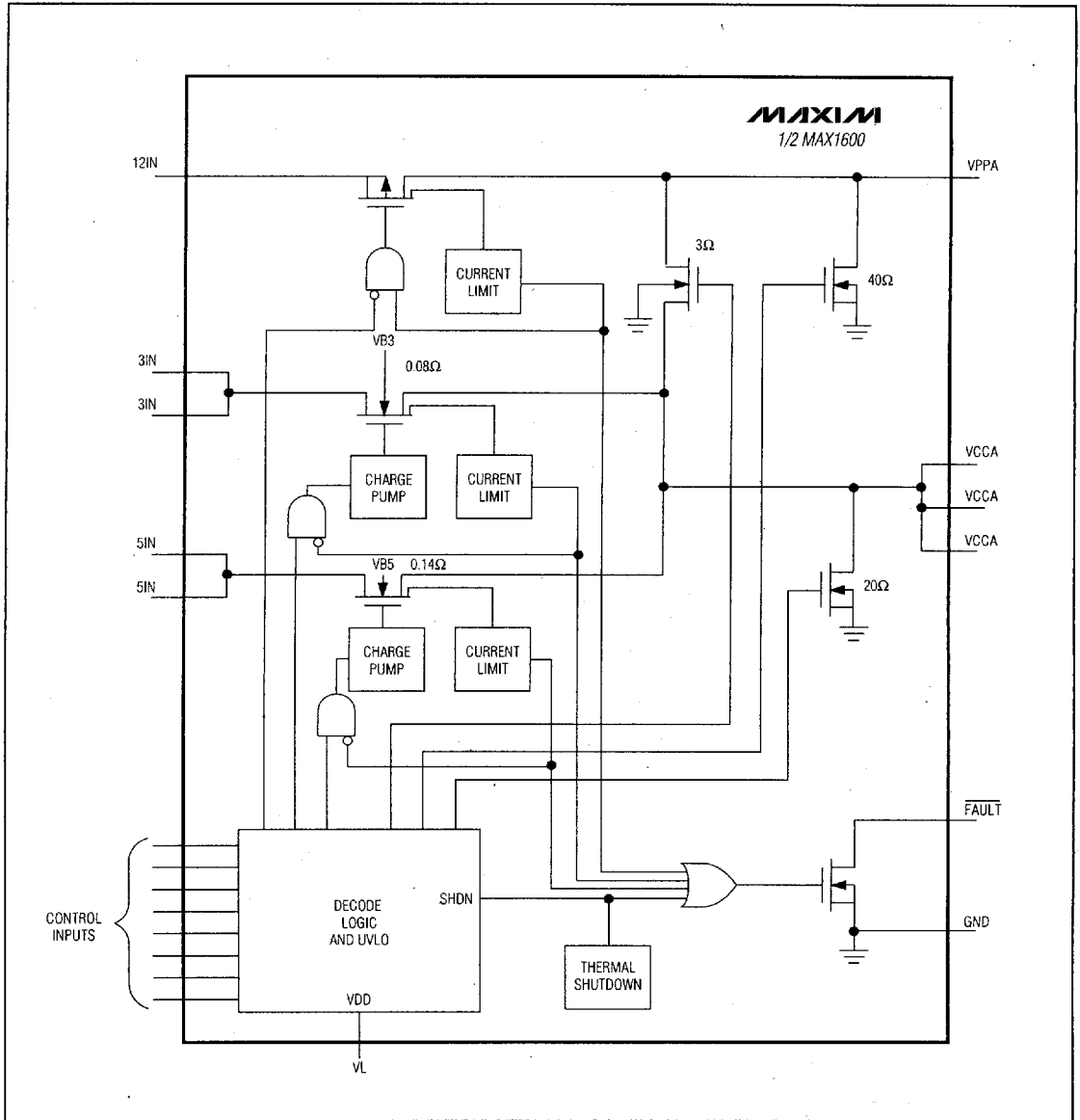


Figure 1. Detailed Block Diagram (one channel of two)

Dual-Channel Cardbus and PCMCIA VCC/VPP Power-Switching Network

MAX1600

4

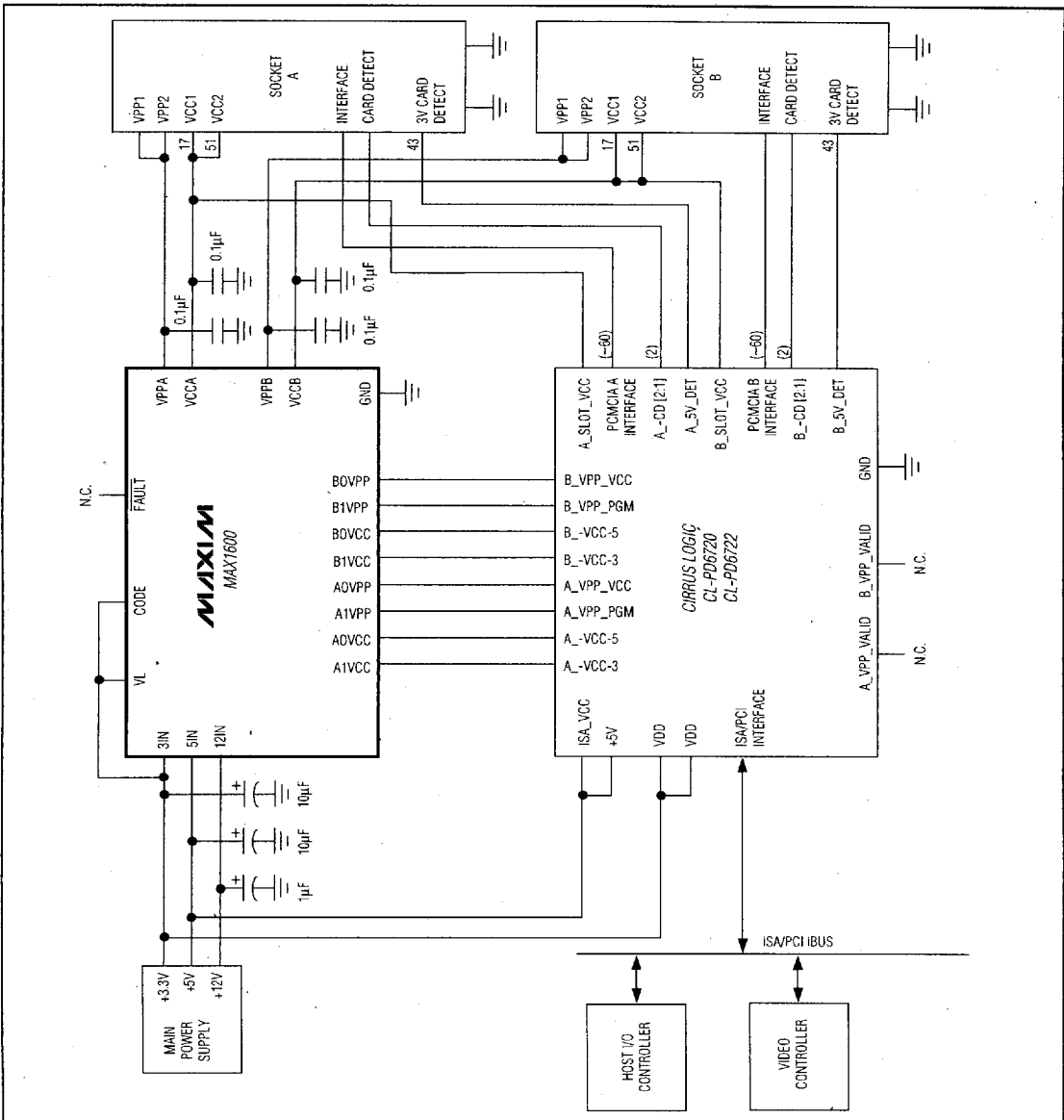


Figure 2. Application with Cirrus Logic Interface

MAXIM

4-17

5876651 0011602 76T

Dual-Channel Cardbus and PCMCIA VCC/VPP Power-Switching Network

Ordering Information

PART	TEMP. RANGE	PIN-PACKAGE
MAX1600CAI	0°C to +70°C	28 SSOP
MAX1600C/D	0°C to +70°C	Dice*
MAX1600EAI	-40°C to +85°C	28 SSOP

* Contact factory for dice specifications.

MAX1600