

MC78XX/LM78XX/MC78XXA

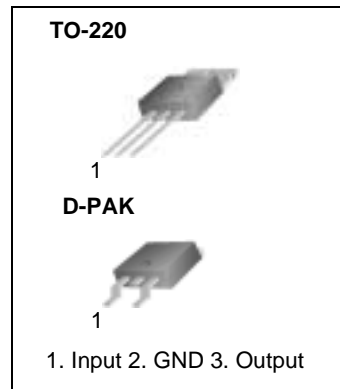
3-Terminal 1A Positive Voltage Regulator

Features

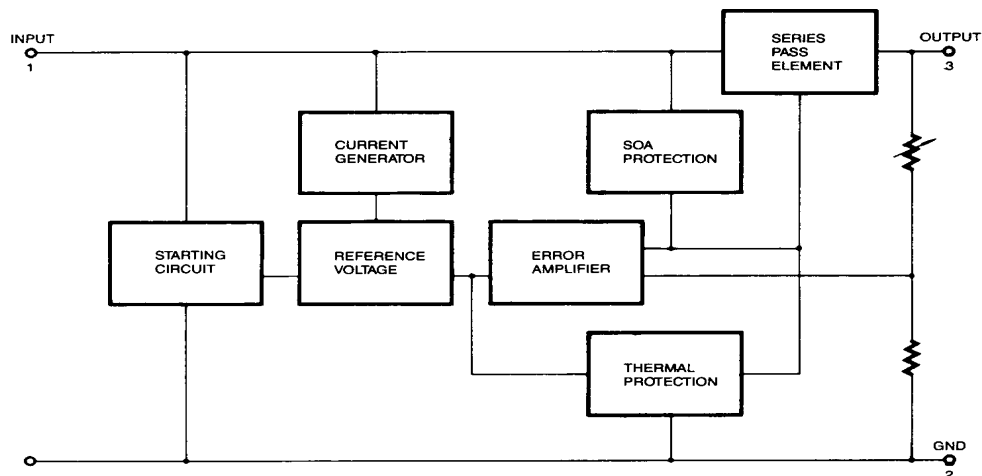
- Output Current up to 1A
- Output Voltages of 5, 6, 8, 9, 10, 12, 15, 18, 24V
- Thermal Overload Protection
- Short Circuit Protection
- Output Transistor Safe Operating Area Protection

Description

The MC78XX/LM78XX/MC78XXA series of three terminal positive regulators are available in the TO-220/D-PAK package and with several fixed output voltages, making them useful in a wide range of applications. Each type employs internal current limiting, thermal shut down and safe operating area protection, making it essentially indestructible. If adequate heat sinking is provided, they can deliver over 1A output current. Although designed primarily as fixed voltage regulators, these devices can be used with external components to obtain adjustable voltages and currents.



Internal Block Diagram



Absolute Maximum Ratings

| Parameter | Symbol | Value | Unit |
|--|-----------------|------------|---------------|
| Input Voltage (for $V_O = 5V$ to $18V$) (for $V_O = 24V$) | V_I | 35 | V |
| | V_I | 40 | V |
| Thermal Resistance Junction-Cases (TO-220) | $R_{\theta JC}$ | 5 | $^{\circ}C/W$ |
| Thermal Resistance Junction-Air (TO-220) | $R_{\theta JA}$ | 65 | $^{\circ}C/W$ |
| Operating Temperature Range | T_{OPR} | 0 ~ +125 | $^{\circ}C$ |
| Storage Temperature Range | T_{STG} | -65 ~ +150 | $^{\circ}C$ |

Electrical Characteristics (MC7805/LM7805)

(Refer to test circuit , $0^{\circ}C < T_J < 125^{\circ}C$, $I_O = 500mA$, $V_I = 10V$, $C_I = 0.33\mu F$, $C_O = 0.1\mu F$, unless otherwise specified)

| Parameter | Symbol | Conditions | MC7805/LM7805 | | | Unit | |
|--------------------------|-------------------------|--|--------------------------|------|------|-----------------|----|
| | | | Min. | Typ. | Max. | | |
| Output Voltage | V_O | $T_J = +25^{\circ}C$ | 4.8 | 5.0 | 5.2 | V | |
| | | $5.0mA \leq I_O \leq 1.0A$, $P_O \leq 15W$ $V_I = 7V$ to $20V$ | 4.75 | 5.0 | 5.25 | | |
| Line Regulation (Note1) | Regline | $T_J = +25^{\circ}C$ | $V_O = 7V$ to $25V$ | - | 4.0 | 100 | mV |
| | | | $V_I = 8V$ to $12V$ | - | 1.6 | 50 | |
| Load Regulation (Note1) | Regload | $T_J = +25^{\circ}C$ | $I_O = 5.0mA$ to $1.5A$ | - | 9 | 100 | mV |
| | | | $I_O = 250mA$ to $750mA$ | - | 4 | 50 | |
| Quiescent Current | I_Q | $T_J = +25^{\circ}C$ | - | 5.0 | 8.0 | mA | |
| Quiescent Current Change | ΔI_Q | $I_O = 5mA$ to $1.0A$ | - | 0.03 | 0.5 | mA | |
| | | $V_I = 7V$ to $25V$ | - | 0.3 | 1.3 | | |
| Output Voltage Drift | $\Delta V_O / \Delta T$ | $I_O = 5mA$ | - | -0.8 | - | mV/ $^{\circ}C$ | |
| Output Noise Voltage | V_N | $f = 10Hz$ to $100KHz$, $T_A = +25^{\circ}C$ | - | 42 | - | $\mu V/V_O$ | |
| Ripple Rejection | RR | $f = 120Hz$ $V_O = 8V$ to $18V$ | 62 | 73 | - | dB | |
| Dropout Voltage | V_{Drop} | $I_O = 1A$, $T_J = +25^{\circ}C$ | - | 2 | - | V | |
| Output Resistance | r_O | $f = 1KHz$ | - | 15 | - | m Ω | |
| Short Circuit Current | I_{SC} | $V_I = 35V$, $T_A = +25^{\circ}C$ | - | 230 | - | mA | |
| Peak Current | I_{PK} | $T_J = +25^{\circ}C$ | - | 2.2 | - | A | |

Note:

1. Load and line regulation are specified at constant junction temperature. Changes in V_O due to heating effects must be taken into account separately. Pulse testing with low duty is used.

Electrical Characteristics (MC7806)

(Refer to test circuit , $0^{\circ}\text{C} < T_J < 125^{\circ}\text{C}$, $I_O = 500\text{mA}$, $V_I = 11\text{V}$, $C_I = 0.33\mu\text{F}$, $C_O = 0.1\mu\text{F}$, unless otherwise specified)

| Parameter | Symbol | Conditions | MC7806 | | | Unit | |
|--------------------------|-------------------------|--|---------------------------------------|------|------|------------------------|----|
| | | | Min. | Typ. | Max. | | |
| Output Voltage | V_O | $T_J = +25^{\circ}\text{C}$ | 5.75 | 6.0 | 6.25 | V | |
| | | $5.0\text{mA} \leq I_O \leq 1.0\text{A}$, $P_O \leq 15\text{W}$ $V_I = 8.0\text{V to } 21\text{V}$ | 5.7 | 6.0 | 6.3 | | |
| Line Regulation (Note1) | Regline | $T_J = +25^{\circ}\text{C}$ | $V_I = 8\text{V to } 25\text{V}$ | - | 5 | 120 | mV |
| | | | $V_I = 9\text{V to } 13\text{V}$ | - | 1.5 | 60 | |
| Load Regulation (Note1) | Regload | $T_J = +25^{\circ}\text{C}$ | $I_O = 5\text{mA to } 1.5\text{A}$ | - | 9 | 120 | mV |
| | | | $I_O = 250\text{mA to } 750\text{mA}$ | - | 3 | 60 | |
| Quiescent Current | I_Q | $T_J = +25^{\circ}\text{C}$ | - | 5.0 | 8.0 | mA | |
| Quiescent Current Change | ΔI_Q | $I_O = 5\text{mA to } 1\text{A}$ | - | - | 0.5 | mA | |
| | | $V_I = 8\text{V to } 25\text{V}$ | - | - | 1.3 | | |
| Output Voltage Drift | $\Delta V_O / \Delta T$ | $I_O = 5\text{mA}$ | - | -0.8 | - | mV/ $^{\circ}\text{C}$ | |
| Output Noise Voltage | V_N | $f = 10\text{Hz to } 100\text{kHz}$, $T_A = +25^{\circ}\text{C}$ | - | 45 | - | $\mu\text{V}/V_O$ | |
| Ripple Rejection | RR | $f = 120\text{Hz}$ $V_I = 9\text{V to } 19\text{V}$ | 59 | 75 | - | dB | |
| Dropout Voltage | V_{Drop} | $I_O = 1\text{A}$, $T_J = +25^{\circ}\text{C}$ | - | 2 | - | V | |
| Output Resistance | r_O | $f = 1\text{kHz}$ | - | 19 | - | $\text{m}\Omega$ | |
| Short Circuit Current | I_{SC} | $V_I = 35\text{V}$, $T_A = +25^{\circ}\text{C}$ | - | 250 | - | mA | |
| Peak Current | I_{PK} | $T_J = +25^{\circ}\text{C}$ | - | 2.2 | - | A | |

Note:

1. Load and line regulation are specified at constant junction temperature. Changes in V_O due to heating effects must be taken into account separately. Pulse testing with low duty is used.

Electrical Characteristics (MC7808)

(Refer to test circuit , $0^{\circ}\text{C} < T_J < 125^{\circ}\text{C}$, $I_O = 500\text{mA}$, $V_I = 14\text{V}$, $C_I = 0.33\mu\text{F}$, $C_O = 0.1\mu\text{F}$, unless otherwise specified)

| Parameter | Symbol | Conditions | MC7808 | | | Unit | |
|--------------------------|-------------------------|---|---------------------------------------|------|------|------------------------|----|
| | | | Min. | Typ. | Max. | | |
| Output Voltage | V_O | $T_J = +25^{\circ}\text{C}$ | 7.7 | 8.0 | 8.3 | V | |
| | | $5.0\text{mA} \leq I_O \leq 1.0\text{A}$, $P_O \leq 15\text{W}$ $V_I = 10.5\text{V to } 23\text{V}$ | 7.6 | 8.0 | 8.4 | | |
| Line Regulation (Note1) | Regline | $T_J = +25^{\circ}\text{C}$ | $V_I = 10.5\text{V to } 25\text{V}$ | - | 5.0 | 160 | mV |
| | | | $V_I = 11.5\text{V to } 17\text{V}$ | - | 2.0 | 80 | |
| Load Regulation (Note1) | Regload | $T_J = +25^{\circ}\text{C}$ | $I_O = 5.0\text{mA to } 1.5\text{A}$ | - | 10 | 160 | mV |
| | | | $I_O = 250\text{mA to } 750\text{mA}$ | - | 5.0 | 80 | |
| Quiescent Current | I_Q | $T_J = +25^{\circ}\text{C}$ | - | 5.0 | 8.0 | mA | |
| Quiescent Current Change | ΔI_Q | $I_O = 5\text{mA to } 1.0\text{A}$ | - | 0.05 | 0.5 | mA | |
| | | $V_I = 10.5\text{V to } 25\text{V}$ | - | 0.5 | 1.0 | | |
| Output Voltage Drift | $\Delta V_O / \Delta T$ | $I_O = 5\text{mA}$ | - | -0.8 | - | mV/ $^{\circ}\text{C}$ | |
| Output Noise Voltage | V_N | $f = 10\text{Hz to } 100\text{KHz}$, $T_A = +25^{\circ}\text{C}$ | - | 52 | - | $\mu\text{V}/V_O$ | |
| Ripple Rejection | RR | $f = 120\text{Hz}$, $V_I = 11.5\text{V to } 21.5\text{V}$ | 56 | 73 | - | dB | |
| Dropout Voltage | V_{Drop} | $I_O = 1\text{A}$, $T_J = +25^{\circ}\text{C}$ | - | 2 | - | V | |
| Output Resistance | r_O | $f = 1\text{KHz}$ | - | 17 | - | $\text{m}\Omega$ | |
| Short Circuit Current | ISC | $V_I = 35\text{V}$, $T_A = +25^{\circ}\text{C}$ | - | 230 | - | mA | |
| Peak Current | I_{PK} | $T_J = +25^{\circ}\text{C}$ | - | 2.2 | - | A | |

Note:

1. Load and line regulation are specified at constant junction temperature. Changes in V_O due to heating effects must be taken into account separately. Pulse testing with low duty is used.

Electrical Characteristics (MC7809)

(Refer to test circuit , $0^{\circ}\text{C} < T_J < 125^{\circ}\text{C}$, $I_O = 500\text{mA}$, $V_I = 15\text{V}$, $C_I = 0.33\mu\text{F}$, $C_O = 0.1\mu\text{F}$, unless otherwise specified)

| Parameter | Symbol | Conditions | | MC7809 | | | Unit |
|--------------------------|-------------------------|---|---------------------------------------|--------|------|------|-------------------|
| | | | | Min. | Typ. | Max. | |
| Output Voltage | V_O | $T_J = +25^{\circ}\text{C}$ | | 8.65 | 9 | 9.35 | V |
| | | $5.0\text{mA} \leq I_O \leq 1.0\text{A}$, $P_O \leq 15\text{W}$ $V_I = 11.5\text{V to } 24\text{V}$ | | 8.6 | 9 | 9.4 | |
| Line Regulation (Note1) | Regline | $T_J = +25^{\circ}\text{C}$ | $V_I = 11.5\text{V to } 25\text{V}$ | - | 6 | 180 | mV |
| | | | $V_I = 12\text{V to } 17\text{V}$ | - | 2 | 90 | |
| Load Regulation (Note1) | Regload | $T_J = +25^{\circ}\text{C}$ | $I_O = 5\text{mA to } 1.5\text{A}$ | - | 12 | 180 | mV |
| | | | $I_O = 250\text{mA to } 750\text{mA}$ | - | 4 | 90 | |
| Quiescent Current | I_Q | $T_J = +25^{\circ}\text{C}$ | | - | 5.0 | 8.0 | mA |
| Quiescent Current Change | ΔI_Q | $I_O = 5\text{mA to } 1.0\text{A}$ | | - | - | 0.5 | mA |
| | | $V_I = 11.5\text{V to } 26\text{V}$ | | - | - | 1.3 | |
| Output Voltage Drift | $\Delta V_O / \Delta T$ | $I_O = 5\text{mA}$ | | - | -1 | - | mV/°C |
| Output Noise Voltage | V_N | $f = 10\text{Hz to } 100\text{kHz}$, $T_A = +25^{\circ}\text{C}$ | | - | 58 | - | $\mu\text{V}/V_O$ |
| Ripple Rejection | RR | $f = 120\text{Hz}$ $V_I = 13\text{V to } 23\text{V}$ | | 56 | 71 | - | dB |
| Dropout Voltage | V_{Drop} | $I_O = 1\text{A}$, $T_J = +25^{\circ}\text{C}$ | | - | 2 | - | V |
| Output Resistance | r_O | $f = 1\text{kHz}$ | | - | 17 | - | $\text{m}\Omega$ |
| Short Circuit Current | I_{SC} | $V_I = 35\text{V}$, $T_A = +25^{\circ}\text{C}$ | | - | 250 | - | mA |
| Peak Current | I_{PK} | $T_J = +25^{\circ}\text{C}$ | | - | 2.2 | - | A |

Note:

1. Load and line regulation are specified at constant junction temperature. Changes in V_O due to heating effects must be taken into account separately. Pulse testing with low duty is used.

Electrical Characteristics (MC7810)

(Refer to test circuit , $0^{\circ}\text{C} < T_J < 125^{\circ}\text{C}$, $I_O = 500\text{mA}$, $V_I = 16\text{V}$, $C_I = 0.33\mu\text{F}$, $C_O = 0.1\mu\text{F}$, unless otherwise specified)

| Parameter | Symbol | Conditions | | MC7810 | | | Unit |
|--------------------------|-------------------------|---|---------------------------------------|--------|------|------|------------------------|
| | | | | Min. | Typ. | Max. | |
| Output Voltage | V_O | $T_J = +25^{\circ}\text{C}$ | | 9.6 | 10 | 10.4 | V |
| | | $5.0\text{mA} \leq I_O \leq 1.0\text{A}$, $P_O \leq 15\text{W}$ $V_I = 12.5\text{V to } 25\text{V}$ | | 9.5 | 10 | 10.5 | |
| Line Regulation (Note1) | Regline | $T_J = +25^{\circ}\text{C}$ | $V_I = 12.5\text{V to } 25\text{V}$ | - | 10 | 200 | mV |
| | | | $V_I = 13\text{V to } 25\text{V}$ | - | 3 | 100 | |
| Load Regulation (Note1) | Regload | $T_J = +25^{\circ}\text{C}$ | $I_O = 5\text{mA to } 1.5\text{A}$ | - | 12 | 200 | mV |
| | | | $I_O = 250\text{mA to } 750\text{mA}$ | - | 4 | 400 | |
| Quiescent Current | I_Q | $T_J = +25^{\circ}\text{C}$ | | - | 5.1 | 8.0 | mA |
| Quiescent Current Change | ΔI_Q | $I_O = 5\text{mA to } 1.0\text{A}$ | | - | - | 0.5 | mA |
| | | $V_I = 12.5\text{V to } 29\text{V}$ | | - | - | 1.0 | |
| Output Voltage Drift | $\Delta V_O / \Delta T$ | $I_O = 5\text{mA}$ | | - | -1 | - | mV/ $^{\circ}\text{C}$ |
| Output Noise Voltage | V_N | $f = 10\text{Hz to } 100\text{kHz}$, $T_A = +25^{\circ}\text{C}$ | | - | 58 | - | $\mu\text{V}/V_O$ |
| Ripple Rejection | RR | $f = 120\text{Hz}$ $V_I = 13\text{V to } 23\text{V}$ | | 56 | 71 | - | dB |
| Dropout Voltage | V_{Drop} | $I_O = 1\text{A}$, $T_J = +25^{\circ}\text{C}$ | | - | 2 | - | V |
| Output Resistance | r_O | $f = 1\text{kHz}$ | | - | 17 | - | $\text{m}\Omega$ |
| Short Circuit Current | I_{SC} | $V_I = 35\text{V}$, $T_A = +25^{\circ}\text{C}$ | | - | 250 | - | mA |
| Peak Current | I_{PK} | $T_J = +25^{\circ}\text{C}$ | | - | 2.2 | - | A |

Note:

1. Load and line regulation are specified at constant junction temperature. Changes in V_O due to heating effects must be taken into account separately. Pulse testing with low duty is used.

Electrical Characteristics (MC7812)

(Refer to test circuit , $0^{\circ}\text{C} < T_J < 125^{\circ}\text{C}$, $I_O = 500\text{mA}$, $V_I = 19\text{V}$, $C_I = 0.33\mu\text{F}$, $C_O = 0.1\mu\text{F}$, unless otherwise specified)

| Parameter | Symbol | Conditions | MC7812 | | | Unit | |
|--------------------------|-------------------------|---|---------------------------------------|------|------|------------------------|----|
| | | | Min. | Typ. | Max. | | |
| Output Voltage | V_O | $T_J = +25^{\circ}\text{C}$ | 11.5 | 12 | 12.5 | V | |
| | | $5.0\text{mA} \leq I_O \leq 1.0\text{A}$, $P_O \leq 15\text{W}$ $V_I = 14.5\text{V to } 27\text{V}$ | 11.4 | 12 | 12.6 | | |
| Line Regulation (Note1) | Regline | $T_J = +25^{\circ}\text{C}$ | $V_I = 14.5\text{V to } 30\text{V}$ | - | 10 | 240 | mV |
| | | | $V_I = 16\text{V to } 22\text{V}$ | - | 3.0 | 120 | |
| Load Regulation (Note1) | Regload | $T_J = +25^{\circ}\text{C}$ | $I_O = 5\text{mA to } 1.5\text{A}$ | - | 11 | 240 | mV |
| | | | $I_O = 250\text{mA to } 750\text{mA}$ | - | 5.0 | 120 | |
| Quiescent Current | I_Q | $T_J = +25^{\circ}\text{C}$ | - | 5.1 | 8.0 | mA | |
| Quiescent Current Change | ΔI_Q | $I_O = 5\text{mA to } 1.0\text{A}$ | - | 0.1 | 0.5 | mA | |
| | | $V_I = 14.5\text{V to } 30\text{V}$ | - | 0.5 | 1.0 | | |
| Output Voltage Drift | $\Delta V_O / \Delta T$ | $I_O = 5\text{mA}$ | - | -1 | - | mV/ $^{\circ}\text{C}$ | |
| Output Noise Voltage | V_N | $f = 10\text{Hz to } 100\text{kHz}$, $T_A = +25^{\circ}\text{C}$ | - | 76 | - | $\mu\text{V}/V_O$ | |
| Ripple Rejection | RR | $f = 120\text{Hz}$ $V_I = 15\text{V to } 25\text{V}$ | 55 | 71 | - | dB | |
| Dropout Voltage | V_{Drop} | $I_O = 1\text{A}$, $T_J = +25^{\circ}\text{C}$ | - | 2 | - | V | |
| Output Resistance | r_O | $f = 1\text{kHz}$ | - | 18 | - | $\text{m}\Omega$ | |
| Short Circuit Current | I_{SC} | $V_I = 35\text{V}$, $T_A = +25^{\circ}\text{C}$ | - | 230 | - | mA | |
| Peak Current | I_{PK} | $T_J = +25^{\circ}\text{C}$ | - | 2.2 | - | A | |

Note:

1. Load and line regulation are specified at constant junction temperature. Changes in V_O due to heating effects must be taken into account separately. Pulse testing with low duty is used.

Electrical Characteristics (MC7815)

(Refer to test circuit, $0^{\circ}\text{C} < T_J < 125^{\circ}\text{C}$, $I_O = 500\text{mA}$, $V_I = 23\text{V}$, $C_I = 0.33\mu\text{F}$, $C_O = 0.1\mu\text{F}$, unless otherwise specified)

| Parameter | Symbol | Conditions | MC7815 | | | Unit | |
|--------------------------|-------------------------|---|---------------------------------------|------|-------|------------------------|----|
| | | | Min. | Typ. | Max. | | |
| Output Voltage | V_O | $T_J = +25^{\circ}\text{C}$ | 14.4 | 15 | 15.6 | V | |
| | | $5.0\text{mA} \leq I_O \leq 1.0\text{A}$, $P_O \leq 15\text{W}$ $V_I = 17.5\text{V to } 30\text{V}$ | 14.25 | 15 | 15.75 | | |
| Line Regulation (Note1) | Regline | $T_J = +25^{\circ}\text{C}$ | $V_I = 17.5\text{V to } 30\text{V}$ | - | 11 | 300 | mV |
| | | | $V_I = 20\text{V to } 26\text{V}$ | - | 3 | 150 | |
| Load Regulation (Note1) | Regload | $T_J = +25^{\circ}\text{C}$ | $I_O = 5\text{mA to } 1.5\text{A}$ | - | 12 | 300 | mV |
| | | | $I_O = 250\text{mA to } 750\text{mA}$ | - | 4 | 150 | |
| Quiescent Current | I_Q | $T_J = +25^{\circ}\text{C}$ | - | 5.2 | 8.0 | mA | |
| Quiescent Current Change | ΔI_Q | $I_O = 5\text{mA to } 1.0\text{A}$ | - | - | 0.5 | mA | |
| | | $V_I = 17.5\text{V to } 30\text{V}$ | - | - | 1.0 | | |
| Output Voltage Drift | $\Delta V_O / \Delta T$ | $I_O = 5\text{mA}$ | - | -1 | - | mV/ $^{\circ}\text{C}$ | |
| Output Noise Voltage | V_N | $f = 10\text{Hz to } 100\text{KHz}$, $T_A = +25^{\circ}\text{C}$ | - | 90 | - | $\mu\text{V}/V_O$ | |
| Ripple Rejection | RR | $f = 120\text{Hz}$ $V_I = 18.5\text{V to } 28.5\text{V}$ | 54 | 70 | - | dB | |
| Dropout Voltage | V_{Drop} | $I_O = 1\text{A}$, $T_J = +25^{\circ}\text{C}$ | - | 2 | - | V | |
| Output Resistance | r_O | $f = 1\text{KHz}$ | - | 19 | - | $\text{m}\Omega$ | |
| Short Circuit Current | I_{SC} | $V_I = 35\text{V}$, $T_A = +25^{\circ}\text{C}$ | - | 250 | - | mA | |
| Peak Current | I_{PK} | $T_J = +25^{\circ}\text{C}$ | - | 2.2 | - | A | |

Note:

1. Load and line regulation are specified at constant junction temperature. Changes in V_O due to heating effects must be taken into account separately. Pulse testing with low duty is used.

Electrical Characteristics (MC7818)

(Refer to test circuit , $0^{\circ}\text{C} < T_J < 125^{\circ}\text{C}$, $I_O = 500\text{mA}$, $V_I = 27\text{V}$, $C_I = 0.33\mu\text{F}$, $C_O = 0.1\mu\text{F}$, unless otherwise specified)

| Parameter | Symbol | Conditions | MC7818 | | | Unit | |
|--------------------------|-------------------------|---|---------------------------------------|------|------|------------------------|----|
| | | | Min. | Typ. | Max. | | |
| Output Voltage | V_O | $T_J = +25^{\circ}\text{C}$ | 17.3 | 18 | 18.7 | V | |
| | | $5.0\text{mA} \leq I_O \leq 1.0\text{A}$, $P_O \leq 15\text{W}$ $V_I = 21\text{V to } 33\text{V}$ | 17.1 | 18 | 18.9 | | |
| Line Regulation (Note1) | Regline | $T_J = +25^{\circ}\text{C}$ | $V_I = 21\text{V to } 33\text{V}$ | - | 15 | 360 | mV |
| | | | $V_I = 24\text{V to } 30\text{V}$ | - | 5 | 180 | |
| Load Regulation (Note1) | Regload | $T_J = +25^{\circ}\text{C}$ | $I_O = 5\text{mA to } 1.5\text{A}$ | - | 15 | 360 | mV |
| | | | $I_O = 250\text{mA to } 750\text{mA}$ | - | 5.0 | 180 | |
| Quiescent Current | I_Q | $T_J = +25^{\circ}\text{C}$ | - | 5.2 | 8.0 | mA | |
| Quiescent Current Change | ΔI_Q | $I_O = 5\text{mA to } 1.0\text{A}$ | - | - | 0.5 | mA | |
| | | $V_I = 21\text{V to } 33\text{V}$ | - | - | 1 | | |
| Output Voltage Drift | $\Delta V_O / \Delta T$ | $I_O = 5\text{mA}$ | - | -1 | - | mV/ $^{\circ}\text{C}$ | |
| Output Noise Voltage | V_N | $f = 10\text{Hz to } 100\text{kHz}$, $T_A = +25^{\circ}\text{C}$ | - | 110 | - | $\mu\text{V}/V_O$ | |
| Ripple Rejection | RR | $f = 120\text{Hz}$ $V_I = 22\text{V to } 32\text{V}$ | 53 | 69 | - | dB | |
| Dropout Voltage | V_{Drop} | $I_O = 1\text{A}$, $T_J = +25^{\circ}\text{C}$ | - | 2 | - | V | |
| Output Resistance | r_O | $f = 1\text{kHz}$ | - | 22 | - | $\text{m}\Omega$ | |
| Short Circuit Current | I_{SC} | $V_I = 35\text{V}$, $T_A = +25^{\circ}\text{C}$ | - | 250 | - | mA | |
| Peak Current | I_{PK} | $T_J = +25^{\circ}\text{C}$ | - | 2.2 | - | A | |

Note:

1. Load and line regulation are specified at constant junction temperature. Changes in V_O due to heating effects must be taken into account separately. Pulse testing with low duty is used.

Electrical Characteristics (MC7824)

(Refer to test circuit , $0^{\circ}\text{C} < T_J < 125^{\circ}\text{C}$, $I_O = 500\text{mA}$, $V_I = 33\text{V}$, $C_I = 0.33\mu\text{F}$, $C_O = 0.1\mu\text{F}$, unless otherwise specified)

| Parameter | Symbol | Conditions | MC7824 | | | Unit | |
|--------------------------|-------------------------|---|---------------------------------------|------|-------|------------------------|----|
| | | | Min. | Typ. | Max. | | |
| Output Voltage | V_O | $T_J = +25^{\circ}\text{C}$ | 23 | 24 | 25 | V | |
| | | $5.0\text{mA} \leq I_O \leq 1.0\text{A}$, $P_O \leq 15\text{W}$ $V_I = 27\text{V to } 38\text{V}$ | 22.8 | 24 | 25.25 | | |
| Line Regulation (Note1) | Regline | $T_J = +25^{\circ}\text{C}$ | $V_I = 27\text{V to } 38\text{V}$ | - | 17 | 480 | mV |
| | | | $V_I = 30\text{V to } 36\text{V}$ | - | 6 | 240 | |
| Load Regulation (Note1) | Regload | $T_J = +25^{\circ}\text{C}$ | $I_O = 5\text{mA to } 1.5\text{A}$ | - | 15 | 480 | mV |
| | | | $I_O = 250\text{mA to } 750\text{mA}$ | - | 5.0 | 240 | |
| Quiescent Current | I_Q | $T_J = +25^{\circ}\text{C}$ | - | 5.2 | 8.0 | mA | |
| Quiescent Current Change | ΔI_Q | $I_O = 5\text{mA to } 1.0\text{A}$ | - | 0.1 | 0.5 | mA | |
| | | $V_I = 27\text{V to } 38\text{V}$ | - | 0.5 | 1 | | |
| Output Voltage Drift | $\Delta V_O / \Delta T$ | $I_O = 5\text{mA}$ | - | -1.5 | - | mV/ $^{\circ}\text{C}$ | |
| Output Noise Voltage | V_N | $f = 10\text{Hz to } 100\text{KHz}$, $T_A = +25^{\circ}\text{C}$ | - | 60 | - | $\mu\text{V}/V_O$ | |
| Ripple Rejection | RR | $f = 120\text{Hz}$ $V_I = 28\text{V to } 38\text{V}$ | 50 | 67 | - | dB | |
| Dropout Voltage | V_{Drop} | $I_O = 1\text{A}$, $T_J = +25^{\circ}\text{C}$ | - | 2 | - | V | |
| Output Resistance | r_O | $f = 1\text{KHz}$ | - | 28 | - | $\text{m}\Omega$ | |
| Short Circuit Current | ISC | $V_I = 35\text{V}$, $T_A = +25^{\circ}\text{C}$ | - | 230 | - | mA | |
| Peak Current | I_{PK} | $T_J = +25^{\circ}\text{C}$ | - | 2.2 | - | A | |

Note:

1. Load and line regulation are specified at constant junction temperature. Changes in V_O due to heating effects must be taken into account separately. Pulse testing with low duty is used.

Electrical Characteristics (MC7805A)

(Refer to the test circuits. $0^{\circ}\text{C} < T_J < 125^{\circ}\text{C}$, $I_O = 1\text{A}$, $V_I = 10\text{V}$, $C_I = 0.33\mu\text{F}$, $C_O = 0.1\mu\text{F}$, unless otherwise specified)

| Parameter | Symbol | Conditions | Min. | Typ. | Max. | Unit | |
|--------------------------|---------------------|--|------------------------------------|------|------|------------------------|----|
| Output Voltage | V_O | $T_J = +25^{\circ}\text{C}$ | 4.9 | 5 | 5.1 | V | |
| | | $I_O = 5\text{mA to } 1\text{A}$, $P_O \leq 15\text{W}$ $V_I = 7.5\text{V to } 20\text{V}$ | 4.8 | 5 | 5.2 | | |
| Line Regulation (Note1) | Regline | $V_I = 7.5\text{V to } 25\text{V}$ $I_O = 500\text{mA}$ | - | 5 | 50 | mV | |
| | | $V_I = 8\text{V to } 12\text{V}$ | - | 3 | 50 | | |
| | | $T_J = +25^{\circ}\text{C}$ | $V_I = 7.3\text{V to } 20\text{V}$ | - | 5 | | 50 |
| | | | $V_I = 8\text{V to } 12\text{V}$ | - | 1.5 | | 25 |
| Load Regulation (Note1) | Regload | $T_J = +25^{\circ}\text{C}$ $I_O = 5\text{mA to } 1.5\text{A}$ | - | 9 | 100 | mV | |
| | | $I_O = 5\text{mA to } 1\text{A}$ | - | 9 | 100 | | |
| | | $I_O = 250\text{mA to } 750\text{mA}$ | - | 4 | 50 | | |
| Quiescent Current | I_Q | $T_J = +25^{\circ}\text{C}$ | - | 5.0 | 6 | mA | |
| Quiescent Current Change | ΔI_Q | $I_O = 5\text{mA to } 1\text{A}$ | - | - | 0.5 | mA | |
| | | $V_I = 8\text{V to } 25\text{V}$, $I_O = 500\text{mA}$ | - | - | 0.8 | | |
| | | $V_I = 7.5\text{V to } 20\text{V}$, $T_J = +25^{\circ}\text{C}$ | - | - | 0.8 | | |
| Output Voltage Drift | $\Delta V/\Delta T$ | $I_O = 5\text{mA}$ | - | -0.8 | - | mV/ $^{\circ}\text{C}$ | |
| Output Noise Voltage | V_N | $f = 10\text{Hz to } 100\text{KHz}$ $T_A = +25^{\circ}\text{C}$ | - | 10 | - | $\mu\text{V}/V_O$ | |
| Ripple Rejection | RR | $f = 120\text{Hz}$, $I_O = 500\text{mA}$ $V_I = 8\text{V to } 18\text{V}$ | - | 68 | - | dB | |
| Dropout Voltage | V_{Drop} | $I_O = 1\text{A}$, $T_J = +25^{\circ}\text{C}$ | - | 2 | - | V | |
| Output Resistance | r_O | $f = 1\text{KHz}$ | - | 17 | - | $\text{m}\Omega$ | |
| Short Circuit Current | ISC | $V_I = 35\text{V}$, $T_A = +25^{\circ}\text{C}$ | - | 250 | - | mA | |
| Peak Current | I_{PK} | $T_J = +25^{\circ}\text{C}$ | - | 2.2 | - | A | |

Note:

1. Load and line regulation are specified at constant junction temperature. Change in V_O due to heating effects must be taken into account separately. Pulse testing with low duty is used.

Electrical Characteristics (MC7806A)

(Refer to the test circuits. $0^{\circ}\text{C} < T_J < 125^{\circ}\text{C}$, $I_O = 1\text{A}$, $V_I = 11\text{V}$, $C_I = 0.33\mu\text{F}$, $C_O = 0.1\mu\text{F}$, unless otherwise specified)

| Parameter | Symbol | Conditions | Min. | Typ. | Max. | Unit | |
|--------------------------|---------------------|--|------------------------------------|------|------|------------------------|----|
| Output Voltage | V_O | $T_J = +25^{\circ}\text{C}$ | 5.58 | 6 | 6.12 | V | |
| | | $I_O = 5\text{mA to } 1\text{A}$, $P_O \leq 15\text{W}$ $V_I = 8.6\text{V to } 21\text{V}$ | 5.76 | 6 | 6.24 | | |
| Line Regulation (Note1) | Regline | $V_I = 8.6\text{V to } 25\text{V}$ $I_O = 500\text{mA}$ | - | 5 | 60 | mV | |
| | | $V_I = 9\text{V to } 13\text{V}$ | - | 3 | 60 | | |
| | | $T_J = +25^{\circ}\text{C}$ | $V_I = 8.3\text{V to } 21\text{V}$ | - | 5 | | 60 |
| | | | $V_I = 9\text{V to } 13\text{V}$ | - | 1.5 | | 30 |
| Load Regulation (Note1) | Regload | $T_J = +25^{\circ}\text{C}$ $I_O = 5\text{mA to } 1.5\text{A}$ | - | 9 | 100 | mV | |
| | | $I_O = 5\text{mA to } 1\text{A}$ | - | 4 | 100 | | |
| | | $I_O = 250\text{mA to } 750\text{mA}$ | - | 5.0 | 50 | | |
| Quiescent Current | I_Q | $T_J = +25^{\circ}\text{C}$ | - | 4.3 | 6 | mA | |
| Quiescent Current Change | ΔI_Q | $I_O = 5\text{mA to } 1\text{A}$ | - | - | 0.5 | mA | |
| | | $V_I = 9\text{V to } 25\text{V}$, $I_O = 500\text{mA}$ | - | - | 0.8 | | |
| | | $V_I = 8.5\text{V to } 21\text{V}$, $T_J = +25^{\circ}\text{C}$ | - | - | 0.8 | | |
| Output Voltage Drift | $\Delta V/\Delta T$ | $I_O = 5\text{mA}$ | - | -0.8 | - | mV/ $^{\circ}\text{C}$ | |
| Output Noise Voltage | V_N | $f = 10\text{Hz to } 100\text{KHz}$ $T_A = +25^{\circ}\text{C}$ | - | 10 | - | $\mu\text{V}/V_O$ | |
| Ripple Rejection | RR | $f = 120\text{Hz}$, $I_O = 500\text{mA}$ $V_I = 9\text{V to } 19\text{V}$ | - | 65 | - | dB | |
| Dropout Voltage | V_{Drop} | $I_O = 1\text{A}$, $T_J = +25^{\circ}\text{C}$ | - | 2 | - | V | |
| Output Resistance | r_O | $f = 1\text{KHz}$ | - | 17 | - | $\text{m}\Omega$ | |
| Short Circuit Current | ISC | $V_I = 35\text{V}$, $T_A = +25^{\circ}\text{C}$ | - | 250 | - | mA | |
| Peak Current | I_{PK} | $T_J = +25^{\circ}\text{C}$ | - | 2.2 | - | A | |

Note:

1. Load and line regulation are specified at constant junction temperature. Change in V_O due to heating effects must be taken into account separately. Pulse testing with low duty is used.

Electrical Characteristics (MC7808A)(Refer to the test circuits. $0^{\circ}\text{C} < T_J < 125^{\circ}\text{C}$, $I_O = 1\text{A}$, $V_I = 14\text{V}$, $C_I = 0.33\mu\text{F}$, $C_O = 0.1\mu\text{F}$, unless otherwise specified)

| Parameter | Symbol | Conditions | Min. | Typ. | Max. | Unit | |
|--------------------------|---------------------|---|--------------------------------------|------|------|------------------------|----|
| Output Voltage | V_O | $T_J = +25^{\circ}\text{C}$ | 7.84 | 8 | 8.16 | V | |
| | | $I_O = 5\text{mA}$ to 1A , $P_O \leq 15\text{W}$ $V_I = 10.6\text{V}$ to 23V | 7.7 | 8 | 8.3 | | |
| Line Regulation (Note1) | Regline | $V_I = 10.6\text{V}$ to 25V $I_O = 500\text{mA}$ | - | 6 | 80 | mV | |
| | | $V_I = 11\text{V}$ to 17V | - | 3 | 80 | | |
| | | $T_J = +25^{\circ}\text{C}$ | $V_I = 10.4\text{V}$ to 23V | - | 6 | | 80 |
| | | | $V_I = 11\text{V}$ to 17V | - | 2 | | 40 |
| Load Regulation (Note1) | Regload | $T_J = +25^{\circ}\text{C}$ $I_O = 5\text{mA}$ to 1.5A | - | 12 | 100 | mV | |
| | | $I_O = 5\text{mA}$ to 1A | - | 12 | 100 | | |
| | | $I_O = 250\text{mA}$ to 750mA | - | 5 | 50 | | |
| Quiescent Current | I_Q | $T_J = +25^{\circ}\text{C}$ | - | 5.0 | 6 | mA | |
| Quiescent Current Change | ΔI_Q | $I_O = 5\text{mA}$ to 1A | - | - | 0.5 | mA | |
| | | $V_I = 11\text{V}$ to 25V , $I_O = 500\text{mA}$ | - | - | 0.8 | | |
| | | $V_I = 10.6\text{V}$ to 23V , $T_J = +25^{\circ}\text{C}$ | - | - | 0.8 | | |
| Output Voltage Drift | $\Delta V/\Delta T$ | $I_O = 5\text{mA}$ | - | -0.8 | - | mV/ $^{\circ}\text{C}$ | |
| Output Noise Voltage | V_N | $f = 10\text{Hz}$ to 100KHz $T_A = +25^{\circ}\text{C}$ | - | 10 | - | $\mu\text{V}/V_O$ | |
| Ripple Rejection | RR | $f = 120\text{Hz}$, $I_O = 500\text{mA}$ $V_I = 11.5\text{V}$ to 21.5V | - | 62 | - | dB | |
| Dropout Voltage | V_{Drop} | $I_O = 1\text{A}$, $T_J = +25^{\circ}\text{C}$ | - | 2 | - | V | |
| Output Resistance | r_O | $f = 1\text{KHz}$ | - | 18 | - | $\text{m}\Omega$ | |
| Short Circuit Current | I_{SC} | $V_I = 35\text{V}$, $T_A = +25^{\circ}\text{C}$ | - | 250 | - | mA | |
| Peak Current | I_{PK} | $T_J = +25^{\circ}\text{C}$ | - | 2.2 | - | A | |

Note:

1. Load and line regulation are specified at constant junction temperature. Change in V_O due to heating effects must be taken into account separately. Pulse testing with low duty is used.

Electrical Characteristics (MC7809A)

(Refer to the test circuits. $0^{\circ}\text{C} < T_J < 125^{\circ}\text{C}$, $I_O = 1\text{A}$, $V_I = 15\text{V}$, $C_I = 0.33\mu\text{F}$, $C_O = 0.1\mu\text{F}$, unless otherwise specified)

| Parameter | Symbol | Conditions | Min. | Typ. | Max. | Unit | |
|--------------------------|---------------------|---|--------------------------------------|------|------|------------------------|----|
| Output Voltage | V_O | $T_J = +25^{\circ}\text{C}$ | 8.82 | 9.0 | 9.18 | V | |
| | | $I_O = 5\text{mA}$ to 1A , $P_O \leq 15\text{W}$ $V_I = 11.2\text{V}$ to 24V | 8.65 | 9.0 | 9.35 | | |
| Line Regulation (Note1) | Regline | $V_I = 11.7\text{V}$ to 25V $I_O = 500\text{mA}$ | - | 6 | 90 | mV | |
| | | $V_I = 12.5\text{V}$ to 19V | - | 4 | 45 | | |
| | | $T_J = +25^{\circ}\text{C}$ | $V_I = 11.5\text{V}$ to 24V | - | 6 | | 90 |
| | | | $V_I = 12.5\text{V}$ to 19V | - | 2 | | 45 |
| Load Regulation (Note1) | Regload | $T_J = +25^{\circ}\text{C}$ $I_O = 5\text{mA}$ to 1.0A | - | 12 | 100 | mV | |
| | | $I_O = 5\text{mA}$ to 1.0A | - | 12 | 100 | | |
| | | $I_O = 250\text{mA}$ to 750mA | - | 5 | 50 | | |
| Quiescent Current | I_Q | $T_J = +25^{\circ}\text{C}$ | - | 5.0 | 6.0 | mA | |
| Quiescent Current Change | ΔI_Q | $V_I = 11.7\text{V}$ to 25V , $T_J = +25^{\circ}\text{C}$ | - | - | 0.8 | mA | |
| | | $V_I = 12\text{V}$ to 25V , $I_O = 500\text{mA}$ | - | - | 0.8 | | |
| | | $I_O = 5\text{mA}$ to 1.0A | - | - | 0.5 | | |
| Output Voltage Drift | $\Delta V/\Delta T$ | $I_O = 5\text{mA}$ | - | -1.0 | - | mV/ $^{\circ}\text{C}$ | |
| Output Noise Voltage | V_N | $f = 10\text{Hz}$ to 100KHz $T_A = +25^{\circ}\text{C}$ | - | 10 | - | $\mu\text{V}/V_O$ | |
| Ripple Rejection | RR | $f = 120\text{Hz}$, $I_O = 500\text{mA}$ $V_I = 12\text{V}$ to 22V | - | 62 | - | dB | |
| Dropout Voltage | V_{Drop} | $I_O = 1\text{A}$, $T_J = +25^{\circ}\text{C}$ | - | 2.0 | - | V | |
| Output Resistance | r_O | $f = 1\text{KHz}$ | - | 17 | - | $\text{m}\Omega$ | |
| Short Circuit Current | ISC | $V_I = 35\text{V}$, $T_A = +25^{\circ}\text{C}$ | - | 250 | - | mA | |
| Peak Current | I_{PK} | $T_J = +25^{\circ}\text{C}$ | - | 2.2 | - | A | |

Note:

1. Load and line regulation are specified at constant, junction temperature. Change in V_O due to heating effects must be taken into account separately. Pulse testing with low duty is used.

Electrical Characteristics (MC7810A)

(Refer to the test circuits. $0^{\circ}\text{C} < T_J < 125^{\circ}\text{C}$, $I_O = 1\text{A}$, $V_I = 16\text{V}$, $C_I = 0.33\mu\text{F}$, $C_O = 0.1\mu\text{F}$, unless otherwise specified)

| Parameter | Symbol | Conditions | Min. | Typ. | Max. | Unit | |
|--------------------------|---------------------|---|-------------------------------------|------|------|------------------------------|-----|
| Output Voltage | V_O | $T_J = +25^{\circ}\text{C}$ | 9.8 | 10 | 10.2 | V | |
| | | $I_O = 5\text{mA to } 1\text{A}$, $P_O \leq 15\text{W}$ $V_I = 12.8\text{V to } 25\text{V}$ | 9.6 | 10 | 10.4 | | |
| Line Regulation (Note1) | Regline | $V_I = 12.8\text{V to } 26\text{V}$ $I_O = 500\text{mA}$ | - | 8 | 100 | mV | |
| | | $V_I = 13\text{V to } 20\text{V}$ | - | 4 | 50 | | |
| | | $T_J = +25^{\circ}\text{C}$ | $V_I = 12.5\text{V to } 25\text{V}$ | - | 8 | | 100 |
| | | | $V_I = 13\text{V to } 20\text{V}$ | - | 3 | | 50 |
| Load Regulation (Note1) | Regload | $T_J = +25^{\circ}\text{C}$ $I_O = 5\text{mA to } 1.5\text{A}$ | - | 12 | 100 | mV | |
| | | $I_O = 5\text{mA to } 1.0\text{A}$ | - | 12 | 100 | | |
| | | $I_O = 250\text{mA to } 750\text{mA}$ | - | 5 | 50 | | |
| Quiescent Current | I_Q | $T_J = +25^{\circ}\text{C}$ | - | 5.0 | 6.0 | mA | |
| Quiescent Current Change | ΔI_Q | $V_I = 13\text{V to } 26\text{V}$, $T_J = +25^{\circ}\text{C}$ | - | - | 0.5 | mA | |
| | | $V_I = 12.8\text{V to } 25\text{V}$, $I_O = 500\text{mA}$ | - | - | 0.8 | | |
| | | $I_O = 5\text{mA to } 1.0\text{A}$ | - | - | 0.5 | | |
| Output Voltage Drift | $\Delta V/\Delta T$ | $I_O = 5\text{mA}$ | - | -1.0 | - | $\text{mV}/^{\circ}\text{C}$ | |
| Output Noise Voltage | V_N | $f = 10\text{Hz to } 100\text{KHz}$ $T_A = +25^{\circ}\text{C}$ | - | 10 | - | $\mu\text{V}/V_O$ | |
| Ripple Rejection | RR | $f = 120\text{Hz}$, $I_O = 500\text{mA}$ $V_I = 14\text{V to } 24\text{V}$ | - | 62 | - | dB | |
| Dropout Voltage | V_{Drop} | $I_O = 1\text{A}$, $T_J = +25^{\circ}\text{C}$ | - | 2.0 | - | V | |
| Output Resistance | r_O | $f = 1\text{KHz}$ | - | 17 | - | $\text{m}\Omega$ | |
| Short Circuit Current | ISC | $V_I = 35\text{V}$, $T_A = +25^{\circ}\text{C}$ | - | 250 | - | mA | |
| Peak Current | I_{PK} | $T_J = +25^{\circ}\text{C}$ | - | 2.2 | - | A | |

Note:

1. Load and line regulation are specified at constant junction temperature. Change in V_O due to heating effects must be taken into account separately. Pulse testing with low duty is used.

Electrical Characteristics (MC7812A)

(Refer to the test circuits. $0^{\circ}\text{C} < T_J < 125^{\circ}\text{C}$, $I_O = 1\text{A}$, $V_I = 19\text{V}$, $C_I = 0.33\mu\text{F}$, $C_O = 0.1\mu\text{F}$, unless otherwise specified)

| Parameter | Symbol | Conditions | Min. | Typ. | Max. | Unit | |
|--------------------------|---------------------|---|-------------------------------------|------|-------|------------------------------|-----|
| Output Voltage | V_O | $T_J = +25^{\circ}\text{C}$ | 11.75 | 12 | 12.25 | V | |
| | | $I_O = 5\text{mA to } 1\text{A}$, $P_O \leq 15\text{W}$ $V_I = 14.8\text{V to } 27\text{V}$ | 11.5 | 12 | 12.5 | | |
| Line Regulation (Note1) | Regline | $V_I = 14.8\text{V to } 30\text{V}$ $I_O = 500\text{mA}$ | - | 10 | 120 | mV | |
| | | $V_I = 16\text{V to } 22\text{V}$ | - | 4 | 120 | | |
| | | $T_J = +25^{\circ}\text{C}$ | $V_I = 14.5\text{V to } 27\text{V}$ | - | 10 | | 120 |
| | | | $V_I = 16\text{V to } 22\text{V}$ | - | 3 | | 60 |
| Load Regulation (Note1) | Regload | $T_J = +25^{\circ}\text{C}$ $I_O = 5\text{mA to } 1.5\text{A}$ | - | 12 | 100 | mV | |
| | | $I_O = 5\text{mA to } 1.0\text{A}$ | - | 12 | 100 | | |
| | | $I_O = 250\text{mA to } 750\text{mA}$ | - | 5 | 50 | | |
| Quiescent Current | I_Q | $T_J = +25^{\circ}\text{C}$ | - | 5.1 | 6.0 | mA | |
| Quiescent Current Change | ΔI_Q | $V_I = 15\text{V to } 30\text{V}$, $T_J = +25^{\circ}\text{C}$ | - | | 0.8 | mA | |
| | | $V_I = 14\text{V to } 27\text{V}$, $I_O = 500\text{mA}$ | - | | 0.8 | | |
| | | $I_O = 5\text{mA to } 1.0\text{A}$ | - | | 0.5 | | |
| Output Voltage Drift | $\Delta V/\Delta T$ | $I_O = 5\text{mA}$ | - | -1.0 | - | $\text{mV}/^{\circ}\text{C}$ | |
| Output Noise Voltage | V_N | $f = 10\text{Hz to } 100\text{KHz}$ $T_A = +25^{\circ}\text{C}$ | - | 10 | - | $\mu\text{V}/V_O$ | |
| Ripple Rejection | RR | $f = 120\text{Hz}$, $I_O = 500\text{mA}$ $V_I = 14\text{V to } 24\text{V}$ | - | 60 | - | dB | |
| Dropout Voltage | V_{Drop} | $I_O = 1\text{A}$, $T_J = +25^{\circ}\text{C}$ | - | 2.0 | - | V | |
| Output Resistance | r_O | $f = 1\text{KHz}$ | - | 18 | - | $\text{m}\Omega$ | |
| Short Circuit Current | ISC | $V_I = 35\text{V}$, $T_A = +25^{\circ}\text{C}$ | - | 250 | - | mA | |
| Peak Current | I_{PK} | $T_J = +25^{\circ}\text{C}$ | - | 2.2 | - | A | |

Note:

1. Load and line regulation are specified at constant junction temperature. Change in V_O due to heating effects must be taken into account separately. Pulse testing with low duty is used.

Electrical Characteristics (MC7815A)

(Refer to the test circuits. $0^{\circ}\text{C} < T_J < 125^{\circ}\text{C}$, $I_O = 1\text{A}$, $V_I = 23\text{V}$, $C_I = 0.33\mu\text{F}$, $C_O = 0.1\mu\text{F}$, unless otherwise specified)

| Parameter | Symbol | Conditions | Min. | Typ. | Max. | Unit | |
|--------------------------|---------------------|---|-------------------------------------|------|------|------------------------------|-----|
| Output Voltage | V_O | $T_J = +25^{\circ}\text{C}$ | 14.7 | 15 | 15.3 | V | |
| | | $I_O = 5\text{mA to } 1\text{A}$, $P_O \leq 15\text{W}$ $V_I = 17.7\text{V to } 30\text{V}$ | 14.4 | 15 | 15.6 | | |
| Line Regulation (Note1) | Regline | $V_I = 17.9\text{V to } 30\text{V}$ $I_O = 500\text{mA}$ | - | 10 | 150 | mV | |
| | | $V_I = 20\text{V to } 26\text{V}$ | - | 5 | 150 | | |
| | | $T_J = +25^{\circ}\text{C}$ | $V_I = 17.5\text{V to } 30\text{V}$ | - | 11 | | 150 |
| | | | $V_I = 20\text{V to } 26\text{V}$ | - | 3 | | 75 |
| Load Regulation (Note1) | Regload | $T_J = +25^{\circ}\text{C}$ $I_O = 5\text{mA to } 1.5\text{A}$ | - | 12 | 100 | mV | |
| | | $I_O = 5\text{mA to } 1.0\text{A}$ | - | 12 | 100 | | |
| | | $I_O = 250\text{mA to } 750\text{mA}$ | - | 5 | 50 | | |
| Quiescent Current | I_Q | $T_J = +25^{\circ}\text{C}$ | - | 5.2 | 6.0 | mA | |
| Quiescent Current Change | ΔI_Q | $V_I = 17.5\text{V to } 30\text{V}$, $T_J = +25^{\circ}\text{C}$ | - | - | 0.8 | mA | |
| | | $V_I = 17.5\text{V to } 30\text{V}$, $I_O = 500\text{mA}$ | - | - | 0.8 | | |
| | | $I_O = 5\text{mA to } 1.0\text{A}$ | - | - | 0.5 | | |
| Output Voltage Drift | $\Delta V/\Delta T$ | $I_O = 5\text{mA}$ | - | -1.0 | - | $\text{mV}/^{\circ}\text{C}$ | |
| Output Noise Voltage | V_N | $f = 10\text{Hz to } 100\text{KHz}$ $T_A = +25^{\circ}\text{C}$ | - | 10 | - | $\mu\text{V}/V_O$ | |
| Ripple Rejection | RR | $f = 120\text{Hz}$, $I_O = 500\text{mA}$ $V_I = 18.5\text{V to } 28.5\text{V}$ | - | 58 | - | dB | |
| Dropout Voltage | V_{Drop} | $I_O = 1\text{A}$, $T_J = +25^{\circ}\text{C}$ | - | 2.0 | - | V | |
| Output Resistance | r_O | $f = 1\text{KHz}$ | - | 19 | - | $\text{m}\Omega$ | |
| Short Circuit Current | ISC | $V_I = 35\text{V}$, $T_A = +25^{\circ}\text{C}$ | - | 250 | - | mA | |
| Peak Current | IPK | $T_J = +25^{\circ}\text{C}$ | - | 2.2 | - | A | |

Note:

1. Load and line regulation are specified at constant junction temperature. Change in V_O due to heating effects must be taken into account separately. Pulse testing with low duty is used.

Electrical Characteristics (MC7818A)

(Refer to the test circuits. $0^{\circ}\text{C} < T_J < 125^{\circ}\text{C}$, $I_O = 1\text{A}$, $V_I = 27\text{V}$, $C_I = 0.33\mu\text{F}$, $C_O = 0.1\mu\text{F}$, unless otherwise specified)

| Parameter | Symbol | Conditions | Min. | Typ. | Max. | Unit | |
|--------------------------|---------------------|---|--------------------------------------|------|-------|------------------------------|-----|
| Output Voltage | V_O | $T_J = +25^{\circ}\text{C}$ | 17.64 | 18 | 18.36 | V | |
| | | $I_O = 5\text{mA}$ to 1A , $P_O \leq 15\text{W}$ $V_I = 21\text{V}$ to 33V | 17.3 | 18 | 18.7 | | |
| Line Regulation (Note1) | Regline | $V_I = 21\text{V}$ to 33V $I_O = 500\text{mA}$ | - | 15 | 180 | mV | |
| | | $V_I = 21\text{V}$ to 33V | - | 5 | 180 | | |
| | | $T_J = +25^{\circ}\text{C}$ | $V_I = 20.6\text{V}$ to 33V | - | 15 | | 180 |
| | | | $V_I = 24\text{V}$ to 30V | - | 5 | | 90 |
| Load Regulation (Note1) | Regload | $T_J = +25^{\circ}\text{C}$ $I_O = 5\text{mA}$ to 1.5A | - | 15 | 100 | mV | |
| | | $I_O = 5\text{mA}$ to 1.0A | - | 15 | 100 | | |
| | | $I_O = 250\text{mA}$ to 750mA | - | 7 | 50 | | |
| Quiescent Current | I_Q | $T_J = +25^{\circ}\text{C}$ | - | 5.2 | 6.0 | mA | |
| Quiescent Current Change | ΔI_Q | $V_I = 21\text{V}$ to 33V , $T_J = +25^{\circ}\text{C}$ | - | - | 0.8 | mA | |
| | | $V_I = 21\text{V}$ to 33V , $I_O = 500\text{mA}$ | - | - | 0.8 | | |
| | | $I_O = 5\text{mA}$ to 1.0A | - | - | 0.5 | | |
| Output Voltage Drift | $\Delta V/\Delta T$ | $I_O = 5\text{mA}$ | - | -1.0 | - | $\text{mV}/^{\circ}\text{C}$ | |
| Output Noise Voltage | V_N | $f = 10\text{Hz}$ to 100KHz $T_A = +25^{\circ}\text{C}$ | - | 10 | - | $\mu\text{V}/V_O$ | |
| Ripple Rejection | RR | $f = 120\text{Hz}$, $I_O = 500\text{mA}$ $V_I = 22\text{V}$ to 32V | - | 57 | - | dB | |
| Dropout Voltage | V_{Drop} | $I_O = 1\text{A}$, $T_J = +25^{\circ}\text{C}$ | - | 2.0 | - | V | |
| Output Resistance | r_O | $f = 1\text{KHz}$ | - | 19 | - | $\text{m}\Omega$ | |
| Short Circuit Current | ISC | $V_I = 35\text{V}$, $T_A = +25^{\circ}\text{C}$ | - | 250 | - | mA | |
| Peak Current | I_{PK} | $T_J = +25^{\circ}\text{C}$ | - | 2.2 | - | A | |

Note:

1. Load and line regulation are specified at constant junction temperature. Change in V_O due to heating effects must be taken into account separately. Pulse testing with low duty is used.

Electrical Characteristics (MC7824A)

(Refer to the test circuits. $0^{\circ}\text{C} < T_J < 125^{\circ}\text{C}$, $I_O = 1\text{A}$, $V_I = 33\text{V}$, $C_I = 0.33\mu\text{F}$, $C_O = 0.1\mu\text{F}$, unless otherwise specified)

| Parameter | Symbol | Conditions | Min. | Typ. | Max. | Unit | |
|--------------------------|---------------------|---|-------------------------------------|------|------|------------------------------|-----|
| Output Voltage | V_O | $T_J = +25^{\circ}\text{C}$ | 23.5 | 24 | 24.5 | V | |
| | | $I_O = 5\text{mA to } 1\text{A}$, $P_O \leq 15\text{W}$ $V_I = 27.3\text{V to } 38\text{V}$ | 23 | 24 | 25 | | |
| Line Regulation (Note1) | Regline | $V_I = 27\text{V to } 38\text{V}$ $I_O = 500\text{mA}$ | - | 18 | 240 | mV | |
| | | $V_I = 21\text{V to } 33\text{V}$ | - | 6 | 240 | | |
| | | $T_J = +25^{\circ}\text{C}$ | $V_I = 26.7\text{V to } 38\text{V}$ | - | 18 | | 240 |
| | | | $V_I = 30\text{V to } 36\text{V}$ | - | 6 | | 120 |
| Load Regulation (Note1) | Regload | $T_J = +25^{\circ}\text{C}$ $I_O = 5\text{mA to } 1.5\text{A}$ | - | 15 | 100 | mV | |
| | | $I_O = 5\text{mA to } 1.0\text{A}$ | - | 15 | 100 | | |
| | | $I_O = 250\text{mA to } 750\text{mA}$ | - | 7 | 50 | | |
| Quiescent Current | I_Q | $T_J = +25^{\circ}\text{C}$ | - | 5.2 | 6.0 | mA | |
| Quiescent Current Change | ΔI_Q | $V_I = 27.3\text{V to } 38\text{V}$, $T_J = +25^{\circ}\text{C}$ | - | - | 0.8 | mA | |
| | | $V_I = 27.3\text{V to } 38\text{V}$, $I_O = 500\text{mA}$ | - | - | 0.8 | | |
| | | $I_O = 5\text{mA to } 1.0\text{A}$ | - | - | 0.5 | | |
| Output Voltage Drift | $\Delta V/\Delta T$ | $I_O = 5\text{mA}$ | - | -1.5 | - | $\text{mV}/^{\circ}\text{C}$ | |
| Output Noise Voltage | V_N | $f = 10\text{Hz to } 100\text{KHz}$ $T_A = 25^{\circ}\text{C}$ | - | 10 | - | $\mu\text{V}/V_O$ | |
| Ripple Rejection | RR | $f = 120\text{Hz}$, $I_O = 500\text{mA}$ $V_I = 28\text{V to } 38\text{V}$ | - | 54 | - | dB | |
| Dropout Voltage | V_{Drop} | $I_O = 1\text{A}$, $T_J = +25^{\circ}\text{C}$ | - | 2.0 | - | V | |
| Output Resistance | r_O | $f = 1\text{KHz}$ | - | 20 | - | $\text{m}\Omega$ | |
| Short Circuit Current | I_{SC} | $V_I = 35\text{V}$, $T_A = +25^{\circ}\text{C}$ | - | 250 | - | mA | |
| Peak Current | I_{PK} | $T_J = +25^{\circ}\text{C}$ | - | 2.2 | - | A | |

Note:

1. Load and line regulation are specified at constant junction temperature. Change in V_O due to heating effects must be taken into account separately. Pulse testing with low duty is used.

Typical Performance Characteristics

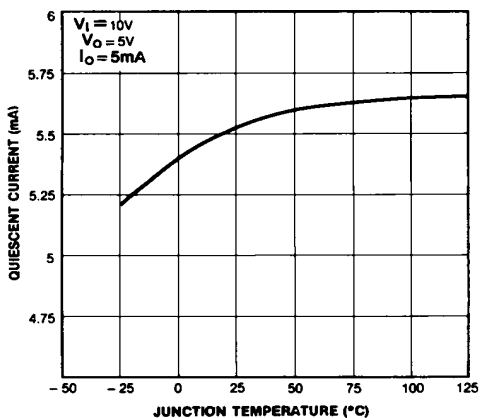


Figure 1. Quiescent Current

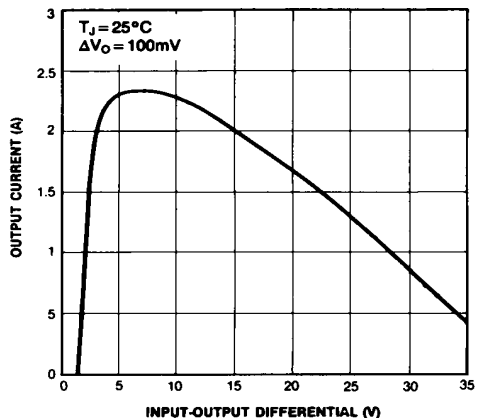


Figure 2. Peak Output Current

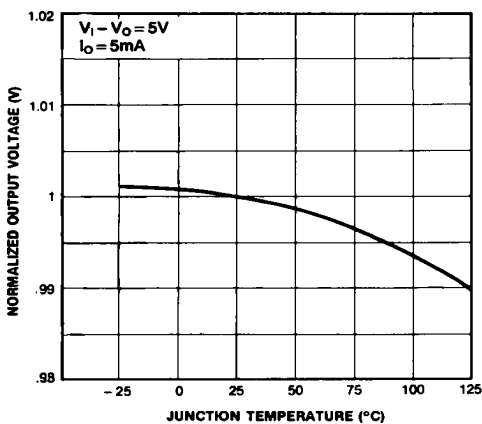


Figure 3. Output Voltage

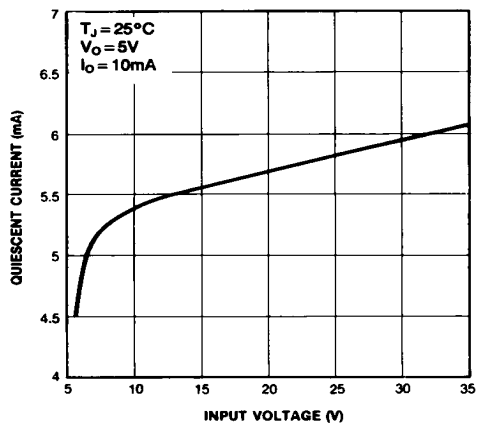


Figure 4. Quiescent Current

Typical Applications

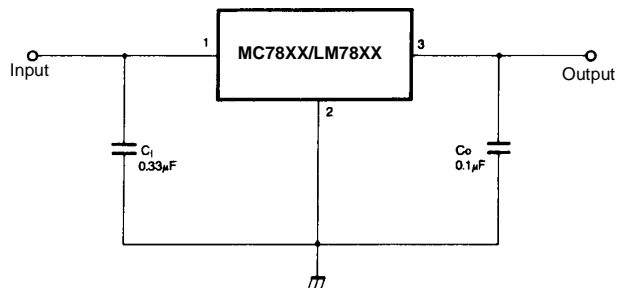


Figure 5. DC Parameters

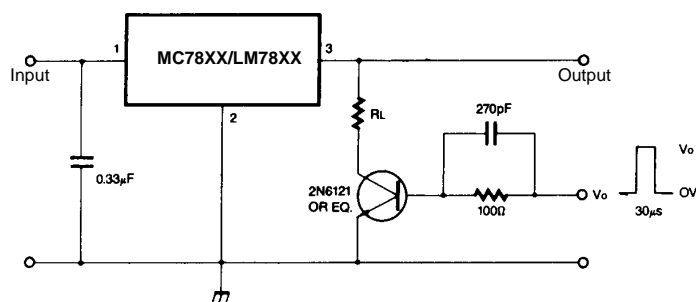


Figure 6. Load Regulation

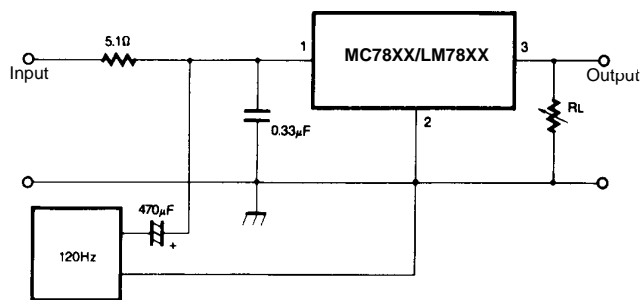


Figure 7. Ripple Rejection

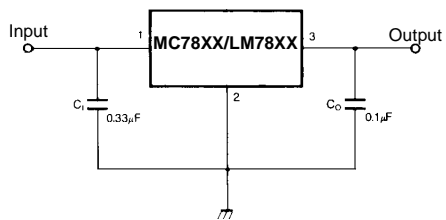


Figure 8. Fixed Output Regulator

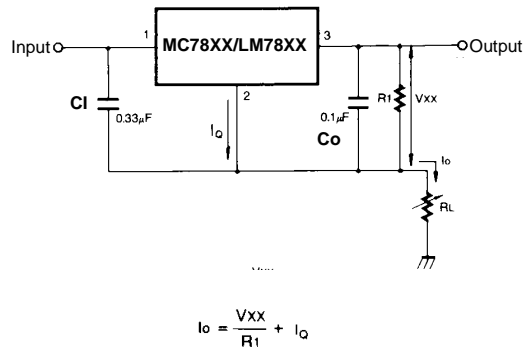


Figure 9. Constant Current Regulator

Notes:

- (1) To specify an output voltage, substitute voltage value for "XX." A common ground is required between the input and the Output voltage. The input voltage must remain typically 2.0V above the output voltage even during the low point on the input ripple voltage.
- (2) C1 is required if regulator is located an appreciable distance from power Supply filter.
- (3) Co improves stability and transient response.

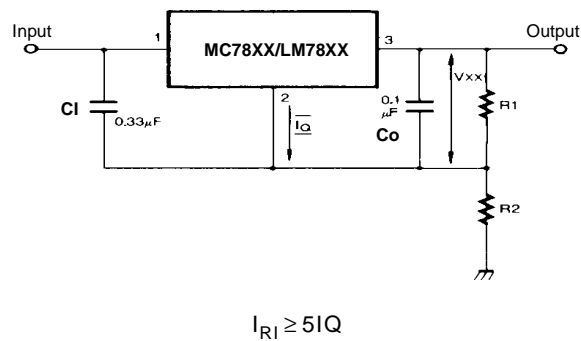


Figure 10. Circuit for Increasing Output Voltage

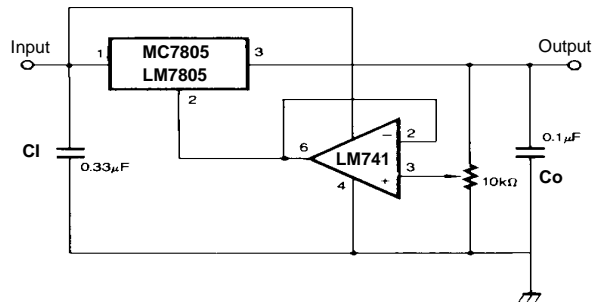


Figure 11. Adjustable Output Regulator (7 to 30V)

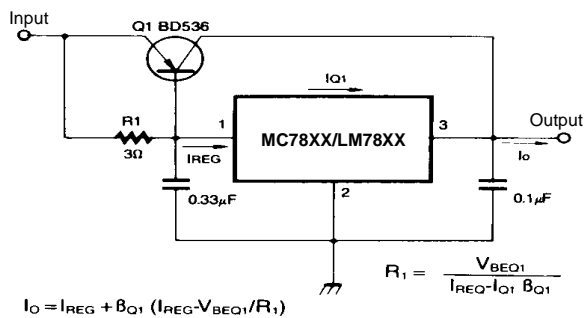


Figure 12. High Current Voltage Regulator

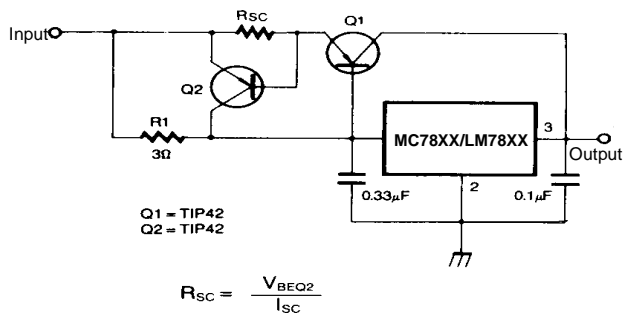


Figure 13. High Output Current with Short Circuit Protection

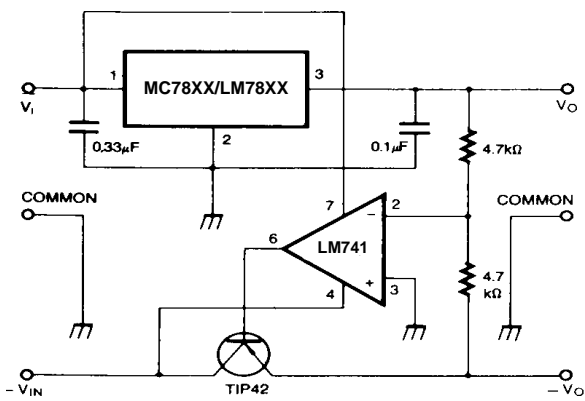


Figure 14. Tracking Voltage Regulator

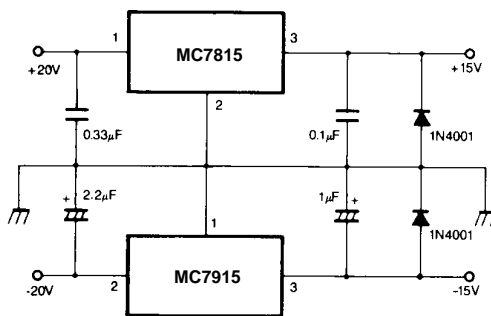


Figure 15. Split Power Supply (±15V-1A)

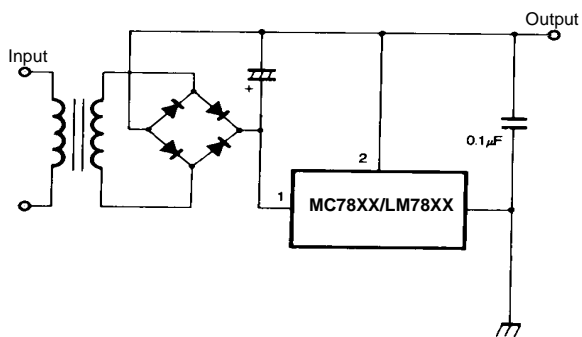


Figure 16. Negative Output Voltage Circuit

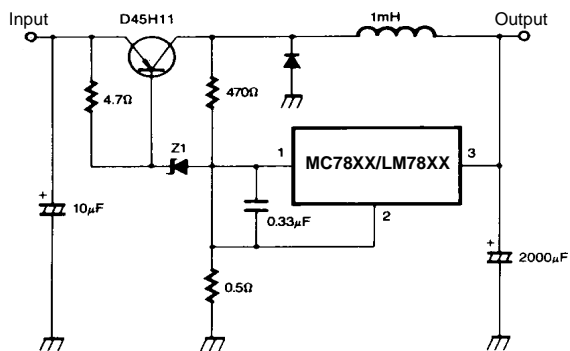
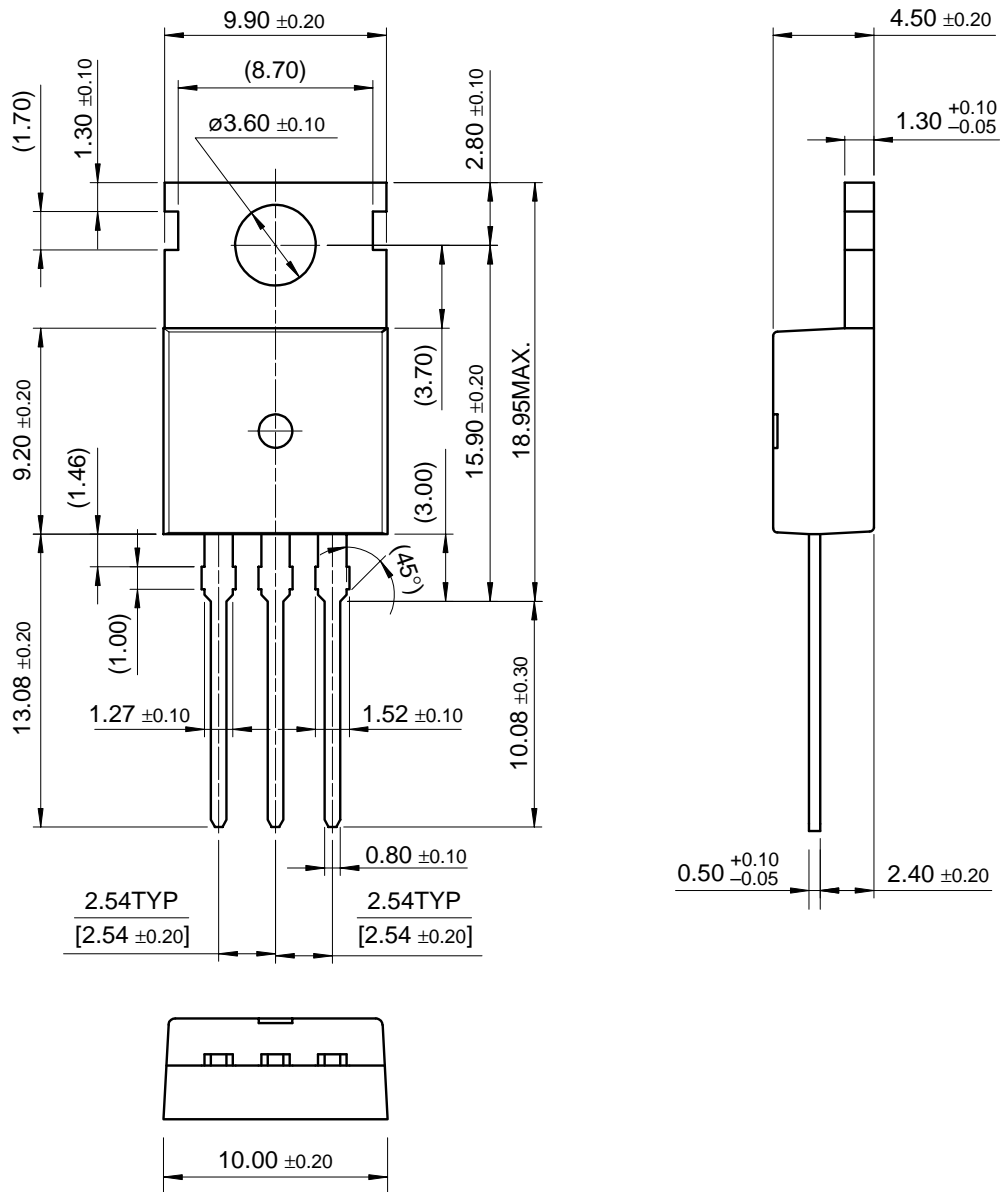


Figure 17. Switching Regulator

Mechanical Dimensions

Package

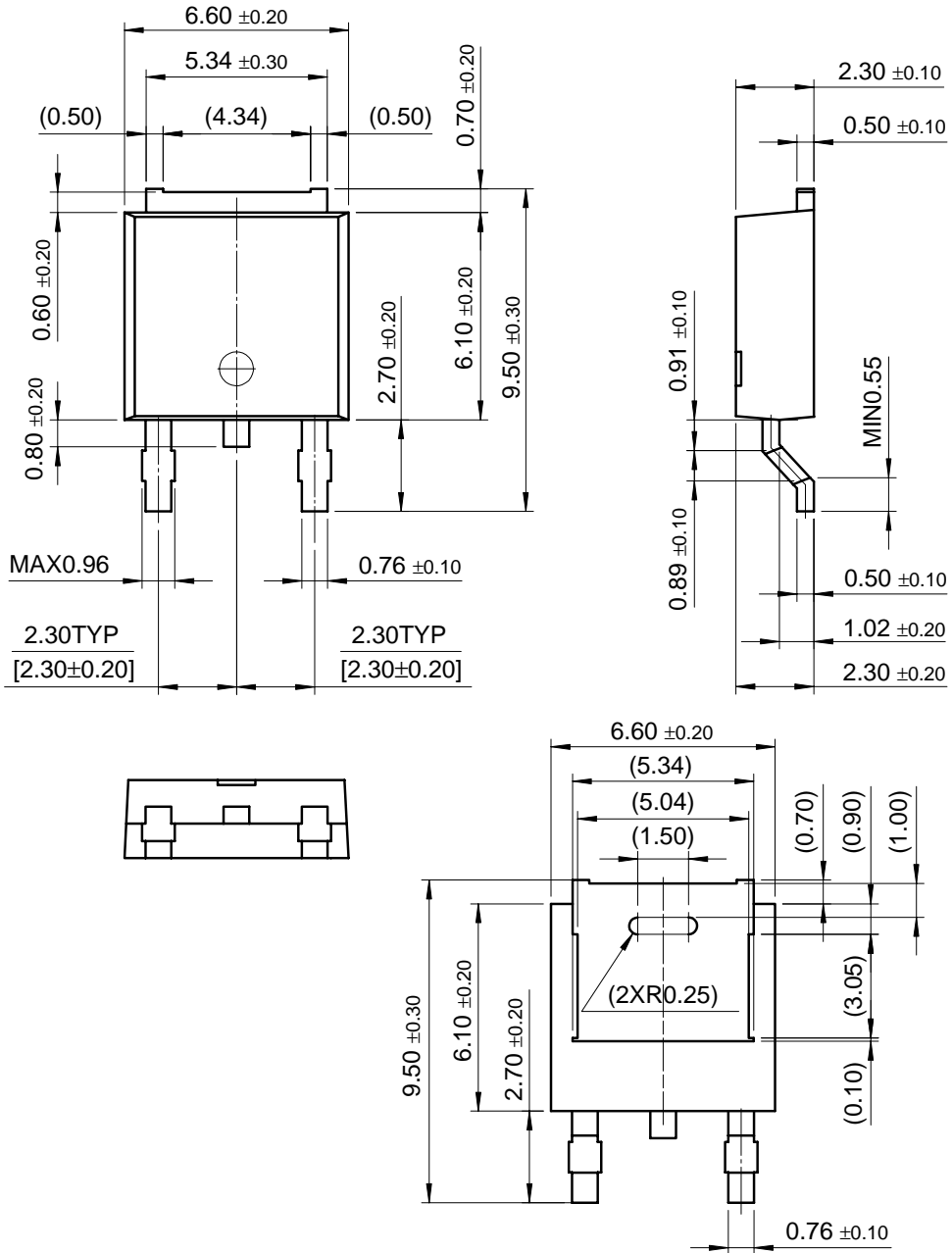
TO-220



Mechanical Dimensions (Continued)

Package

D-PAK



Ordering Information

| Product Number | Output Voltage Tolerance | Package | Operating Temperature |
|----------------|--------------------------|---------|-----------------------|
| LM7805CT | ±4% | TO-220 | 0 ~ + 125°C |

| Product Number | Output Voltage Tolerance | Package | Operating Temperature |
|----------------|--------------------------|---------|-----------------------|
| MC7805CT | ±4% | TO-220 | 0 ~ + 125°C |
| MC7806CT | | | |
| MC7808CT | | | |
| MC7809CT | | | |
| MC7810CT | | | |
| MC7812CT | | | |
| MC7815CT | | D-PAK | |
| MC7818CT | | | |
| MC7824CT | | | |
| MC7805CDT | | | |
| MC7806CDT | | | |
| MC7808CDT | | | |
| MC7809CDT | TO-220 | | |
| MC7810CDT | | | |
| MC7812CDT | | | |
| MC7805ACT | | | |
| MC7806ACT | | | |
| MC7808ACT | | | |
| MC7809ACT | | | |
| MC7810ACT | | | |
| MC7812ACT | | | |
| MC7815ACT | | | |
| MC7818ACT | | | |
| MC7824ACT | | | |

DISCLAIMER

FAIRCHILD SEMICONDUCTOR RESERVES THE RIGHT TO MAKE CHANGES WITHOUT FURTHER NOTICE TO ANY PRODUCTS HEREIN TO IMPROVE RELIABILITY, FUNCTION OR DESIGN. FAIRCHILD DOES NOT ASSUME ANY LIABILITY ARISING OUT OF THE APPLICATION OR USE OF ANY PRODUCT OR CIRCUIT DESCRIBED HEREIN; NEITHER DOES IT CONVEY ANY LICENSE UNDER ITS PATENT RIGHTS, NOR THE RIGHTS OF OTHERS.

LIFE SUPPORT POLICY

FAIRCHILD'S PRODUCTS ARE NOT AUTHORIZED FOR USE AS CRITICAL COMPONENTS IN LIFE SUPPORT DEVICES OR SYSTEMS WITHOUT THE EXPRESS WRITTEN APPROVAL OF THE PRESIDENT OF FAIRCHILD SEMICONDUCTOR CORPORATION. As used herein:

1. Life support devices or systems are devices or systems which, (a) are intended for surgical implant into the body, or (b) support or sustain life, and (c) whose failure to perform when properly used in accordance with instructions for use provided in the labeling, can be reasonably expected to result in a significant injury of the user.
2. A critical component in any component of a life support device or system whose failure to perform can be reasonably expected to cause the failure of the life support device or system, or to affect its safety or effectiveness.

Fairchild Semiconductor

SEARCH | [Parametric](#) | [Cross Reference](#)

space

Product Folders and

Applies

find products

[Home](#) >> [Find products](#) >>

[Products groups](#)

[Analog and Mixed](#)

[Signal](#)

[Discrete](#)

[Interface](#)

[Logic](#)

[Microcontrollers](#)

[Non-Volatile](#)

[Memory](#)

[Optoelectronics](#)

[Markets and](#)

[applications](#)

[New products](#)

[Product selection and](#)

[parametric search](#)

[Cross-reference](#)

[search](#)

technical information

buy products

technical support

my Fairchild

company

MC7805

3-Terminal 1A Positive Voltage Regulator

Contents

[General description](#) | [Features](#) | [Product status/pricing/packaging](#) | [Application notes](#)

General description

The MC78XX/LM78XX/MC78XXA series of three-terminal positive regulators are available in the TO-220/D-PAK package and with several fixed output voltages, making them useful in a wide range of applications. Each type employs internal current limiting, thermal shut-down and safe operating area protection, making it essentially indestructible. If adequate heat sinking is provided, they can deliver over 1A output current. Although designed primarily as fixed voltage regulators, these devices can be used with external components to obtain adjustable voltages and currents.

[back to top](#)

Features

- Output Current up to 1A
- Output Voltages of 5, 6, 8, 9, 10, 12, 15, 18, 24V
- Thermal Overload Protection
- Short Circuit Protection
- Output Transistor Safe Operating Area Protection

[back to top](#)

Product status/pricing/packaging

| Product | Product status | Package type | Leads | Packing method |
|---------|----------------|--------------|-------|----------------|
|---------|----------------|--------------|-------|----------------|

Datasheet

[Download this datasheet](#)



[e-mail this datasheet](#)



This page [Print version](#)

Related Links

[Request samples](#)

[Dotted line](#)

[How to order products](#)

[Dotted line](#)

[Product Change Notices](#)

[\(PCNs\)](#)

[Dotted line](#)

[Support](#)

[Dotted line](#)

[Distributor and field sales](#)

[representatives](#)

[Dotted line](#)

[Quality and reliability](#)

[Dotted line](#)

[Design tools](#)

| | | | | |
|-------------|-----------------|--------------|---|-----------|
| MC7805CT | Full Production | TO-220 | 3 | RAIL |
| MC7805CDTX | Full Production | TO-252(DPAK) | 2 | TAPE REEL |
| MC7805CDTXM | Full Production | TO-252(DPAK) | 2 | TAPE REEL |

[back to top](#)

Application notes

[AN-4108: AN-4108 A Fairchild Power Switch based on Switched Mode Power Supply for CRT Monitor Use \(256 K\) Jul 19, 2002](#)

[back to top](#)

[Home](#) | [Find products](#) | [Technical information](#) | [Buy products](#) | [Support](#) | [Company](#) | [Contact us](#) | [Site index](#) | [Privacy policy](#)

© Copyright 2002 Fairchild Semiconductor

Fairchild Semiconductor

SEARCH | [Parametric](#) | [Cross Reference](#)

space

Product Folders and

Applies

find products

[Home](#) >> [Find products](#) >>

[Products groups](#)

[Analog and Mixed](#)

[Signal](#)

[Discrete](#)

[Interface](#)

[Logic](#)

[Microcontrollers](#)

[Non-Volatile](#)

[Memory](#)

[Optoelectronics](#)

[Markets and](#)

[applications](#)

[New products](#)

[Product selection and](#)

[parametric search](#)

[Cross-reference](#)

[search](#)

technical information

buy products

technical support

my Fairchild

company

MC7805A

Product information

Contents

[General description](#) | [Features](#) | [Product status/pricing/packaging](#)

General description

The MC78XX/LM78XX/MC78XXA series of three-terminal positive regulators are available in the TO-220/D-PAK package and with several fixed output voltages, making them useful in a wide range of applications. Each type employs internal current limiting, thermal shut-down and safe operating area protection, making it essentially indestructible. If adequate heat sinking is provided, they can deliver over 1A output current. Although designed primarily as fixed voltage regulators, these devices can be used with external components to obtain adjustable voltages and currents.

[back to top](#)

Features

- Output Current up to 1A
- Output Voltages of 5, 6, 8, 9, 10, 12, 15, 18, 24V
- Thermal Overload Protection
- Short Circuit Protection
- Output Transistor Safe Operating Area Protection

[back to top](#)

Product status/pricing/packaging

| Product | Product status | Package type | Leads | Packing method |
|---------|----------------|--------------|-------|----------------|
|---------|----------------|--------------|-------|----------------|

Related Links

[Request samples](#)

[Dotted line](#)

[How to order products](#)

[Dotted line](#)

[Product Change Notices](#)

[\(PCNs\)](#)

[Dotted line](#)

[Support](#)

[Dotted line](#)

[Distributor and field sales](#)

[representatives](#)

[Dotted line](#)

[Quality and reliability](#)

[Dotted line](#)

[Design tools](#)

Datasheet

[Download this](#)

[datasheet](#)

PDF

[e-mail this datasheet](#)

[E-]

This page [Print version](#)

| | | | | |
|-------------|-----------------|--------|---|------|
| MC7805ACT | Full Production | TO-220 | 3 | RAIL |
| MC7805ACTBU | Full Production | TO-220 | 3 | BULK |

[back to top](#)

[Home](#) | [Find products](#) | [Technical information](#) | [Buy products](#) |
[Support](#) | [Company](#) | [Contact us](#) | [Site index](#) | [Privacy policy](#)

[© Copyright 2002 Fairchild Semiconductor](#)

Fairchild Semiconductor

SEARCH | [Parametric](#) | [Cross Reference](#)

space

Product Folders and

Applies

find products

[Home](#) >> [Find products](#) >>

[Products groups](#)

[Analog and Mixed](#)

[Signal](#)

[Discrete](#)

[Interface](#)

[Logic](#)

[Microcontrollers](#)

[Non-Volatile](#)

[Memory](#)

[Optoelectronics](#)

[Markets and](#)

[applications](#)

[New products](#)

[Product selection and](#)

[parametric search](#)

[Cross-reference](#)

[search](#)

technical information

buy products

technical support

my Fairchild

company

MC7806

3-Terminal 1A Positive Voltage Regulator

Contents

[General description](#) | [Features](#) | [Product status/pricing/packaging](#)

General description

The MC78XX/LM78XX/MC78XXA series of three-terminal positive regulators are available in the TO-220/D-PAK package and with several fixed output voltages, making them useful in a wide range of applications. Each type employs internal current limiting, thermal shut-down and safe operating area protection, making it essentially indestructible. If adequate heat sinking is provided, they can deliver over 1A output current. Although designed primarily as fixed voltage regulators, these devices can be used with external components to obtain adjustable voltages and currents.

[back to top](#)

Features

- Output Current up to 1A
- Output Voltages of 5, 6, 8, 9, 10, 12, 15, 18, 24V
- Thermal Overload Protection
- Short Circuit Protection
- Output Transistor Safe Operating Area Protection

[back to top](#)

Product status/pricing/packaging

| Product | Product status | Package type | Leads | Packing method |
|---------|----------------|--------------|-------|----------------|
|---------|----------------|--------------|-------|----------------|

Datasheet

[Download this datasheet](#)



[e-mail this datasheet](#)



This page [Print version](#)

Related Links

[Request samples](#)

[Dotted line](#)

[How to order products](#)

[Dotted line](#)

[Product Change Notices](#)

[\(PCNs\)](#)

[Dotted line](#)

[Support](#)

[Dotted line](#)

[Distributor and field sales](#)

[representatives](#)

[Dotted line](#)

[Quality and reliability](#)

[Dotted line](#)

[Design tools](#)

| | | | | |
|-------------|-----------------|--------------|---|-----------|
| MC7806CDTXM | Full Production | TO-252(DPAK) | 2 | TAPE REEL |
| MC7806CDTX | Full Production | TO-252(DPAK) | 2 | TAPE REEL |
| MC7806CT | Full Production | TO-220 | 3 | RAIL |

[back to top](#)

[Home](#) | [Find products](#) | [Technical information](#) | [Buy products](#) |
[Support](#) | [Company](#) | [Contact us](#) | [Site index](#) | [Privacy policy](#)

[© Copyright 2002 Fairchild Semiconductor](#)

Fairchild Semiconductor

SEARCH | [Parametric](#) | [Cross Reference](#)

space

Product Folders and

Applies

find products

[Home](#) >> [Find products](#) >>

[Products groups](#)

[Analog and Mixed](#)

[Signal](#)

[Discrete](#)

[Interface](#)

[Logic](#)

[Microcontrollers](#)

[Non-Volatile](#)

[Memory](#)

[Optoelectronics](#)

[Markets and](#)

[applications](#)

[New products](#)

[Product selection and](#)

[parametric search](#)

[Cross-reference](#)

[search](#)

technical information

buy products

technical support

my Fairchild

company

MC7806A

Product information

Contents

[General description](#) | [Features](#) | [Product status/pricing/packaging](#)

General description

The MC78XX/LM78XX/MC78XXA series of three-terminal positive regulators are available in the TO-220/D-PAK package and with several fixed output voltages, making them useful in a wide range of applications. Each type employs internal current limiting, thermal shut-down and safe operating area protection, making it essentially indestructible. If adequate heat sinking is provided, they can deliver over 1A output current. Although designed primarily as fixed voltage regulators, these devices can be used with external components to obtain adjustable voltages and currents.

[back to top](#)

Features

- Output Current up to 1A
- Output Voltages of 5, 6, 8, 9, 10, 12, 15, 18, 24V
- Thermal Overload Protection
- Short Circuit Protection
- Output Transistor Safe Operating Area Protection

[back to top](#)

Product status/pricing/packaging

| Product | Product status | Package type | Leads | Packing method |
|---------|----------------|--------------|-------|----------------|
|---------|----------------|--------------|-------|----------------|

Related Links

[Request samples](#)

[Dotted line](#)

[How to order products](#)

[Dotted line](#)

[Product Change Notices](#)

[\(PCNs\)](#)

[Dotted line](#)

[Support](#)

[Dotted line](#)

[Distributor and field sales](#)

[representatives](#)

[Dotted line](#)

[Quality and reliability](#)

[Dotted line](#)

[Design tools](#)

Datasheet

[Download this](#)

[datasheet](#)

PDF

[e-mail this datasheet](#)

[E-]

This page [Print version](#)

| | | | | |
|-------------|-----------------|--------|---|------|
| MC7806ACTBU | Full Production | TO-220 | 3 | BULK |
| MC7806ACT | Full Production | TO-220 | 3 | RAIL |

[back to top](#)

[Home](#) | [Find products](#) | [Technical information](#) | [Buy products](#) |
[Support](#) | [Company](#) | [Contact us](#) | [Site index](#) | [Privacy policy](#)

[© Copyright 2002 Fairchild Semiconductor](#)

Fairchild Semiconductor

SEARCH | [Parametric](#) | [Cross Reference](#)

[space](#)

[Product Folders and](#)

[Applie](#)

[find products](#)

[Home >> Find products >>](#)

[Products groups](#)

[Analog and Mixed](#)

[Signal](#)

[Discrete](#)

[Interface](#)

[Logic](#)

[Microcontrollers](#)

[Non-Volatile](#)

[Memory](#)

[Optoelectronics](#)

[Markets and applications](#)

[New products](#)

[Product selection and parametric search](#)

[Cross-reference search](#)

[technical information](#)

[buy products](#)

[technical support](#)

[my Fairchild](#)

[company](#)

MC7808
3-Terminal 1A Positive Voltage Regulator

Contents

[General description](#) | [Features](#) | [Product status/pricing/packaging](#)

General description

The MC78XX/LM78XX/MC78XXA series of three-terminal positive regulators are available in the TO-220/D-PAK package and with several fixed output voltages, making them useful in a wide range of applications. Each type employs internal current limiting, thermal shut-down and safe operating area protection, making it essentially indestructible. If adequate heat sinking is provided, they can deliver over 1A output current. Although designed primarily as fixed voltage regulators, these devices can be used with external components to obtain adjustable voltages and currents.

[back to top](#)

Features

- Output Current up to 1A
- Output Voltages of 5, 6, 8, 9, 10, 12, 15, 18, 24V
- Thermal Overload Protection
- Short Circuit Protection
- Output Transistor Safe Operating Area Protection

[back to top](#)

Product status/pricing/packaging

| Product | Product status | Package type | Leads | Packing method |
|---------|----------------|--------------|-------|----------------|
|---------|----------------|--------------|-------|----------------|

Datasheet

[Download this datasheet](#)



[e-mail this datasheet](#)



This page [Print version](#)

Related Links

[Request samples](#)

[Dotted line](#)

[How to order products](#)

[Dotted line](#)

[Product Change Notices](#)

[\(PCNs\)](#)

[Dotted line](#)

[Support](#)

[Dotted line](#)

[Distributor and field sales](#)

[representatives](#)

[Dotted line](#)

[Quality and reliability](#)

[Dotted line](#)

[Design tools](#)

| | | | | |
|-------------|-----------------|--------------|---|-----------|
| MC7808CDTXM | Full Production | TO-252(DPAK) | 2 | TAPE REEL |
| MC7808CT | Full Production | TO-220 | 3 | RAIL |
| MC7808CDTX | Full Production | TO-252(DPAK) | 2 | TAPE REEL |

[back to top](#)

[Home](#) | [Find products](#) | [Technical information](#) | [Buy products](#) |
[Support](#) | [Company](#) | [Contact us](#) | [Site index](#) | [Privacy policy](#)

[© Copyright 2002 Fairchild Semiconductor](#)

Fairchild Semiconductor

SEARCH | [Parametric](#) | [Cross Reference](#)

space

Product Folders and

Applies

find products

[Home](#) >> [Find products](#) >>

[Products groups](#)

[Analog and Mixed](#)

[Signal](#)

[Discrete](#)

[Interface](#)

[Logic](#)

[Microcontrollers](#)

[Non-Volatile](#)

[Memory](#)

[Optoelectronics](#)

[Markets and](#)

[applications](#)

[New products](#)

[Product selection and](#)

[parametric search](#)

[Cross-reference](#)

[search](#)

technical information

buy products

technical support

my Fairchild

company

MC7808A

Product information

Contents

[General description](#) | [Features](#) | [Product status/pricing/packaging](#)

General description

The MC78XX/LM78XX/MC78XXA series of three-terminal positive regulators are available in the TO-220/D-PAK package and with several fixed output voltages, making them useful in a wide range of applications. Each type employs internal current limiting, thermal shut-down and safe operating area protection, making it essentially indestructible. If adequate heat sinking is provided, they can deliver over 1A output current. Although designed primarily as fixed voltage regulators, these devices can be used with external components to obtain adjustable voltages and currents.

[back to top](#)

Features

- Output Current up to 1A
- Output Voltages of 5, 6, 8, 9, 10, 12, 15, 18, 24V
- Thermal Overload Protection
- Short Circuit Protection
- Output Transistor Safe Operating Area Protection

[back to top](#)

Product status/pricing/packaging

| Product | Product status | Package type | Leads | Packing method |
|---------|----------------|--------------|-------|----------------|
|---------|----------------|--------------|-------|----------------|

Datasheet

[Download this datasheet](#)

PDF

[e-mail this datasheet](#)

[E-]

This page [Print version](#)

Related Links

[Request samples](#)

[Dotted line](#)

[How to order products](#)

[Dotted line](#)

[Product Change Notices](#)

[\(PCNs\)](#)

[Dotted line](#)

[Support](#)

[Dotted line](#)

[Distributor and field sales](#)

[representatives](#)

[Dotted line](#)

[Quality and reliability](#)

[Dotted line](#)

[Design tools](#)

| | | | | |
|-------------|-----------------|--------|---|------|
| MC7808ACT | Full Production | TO-220 | 3 | RAIL |
| MC7808ACTBU | Full Production | TO-220 | 3 | BULK |

[back to top](#)

[Home](#) | [Find products](#) | [Technical information](#) | [Buy products](#) |
[Support](#) | [Company](#) | [Contact us](#) | [Site index](#) | [Privacy policy](#)

[© Copyright 2002 Fairchild Semiconductor](#)

Fairchild Semiconductor

SEARCH | [Parametric](#) | [Cross Reference](#)

[space](#)

[Product Folders and](#)

[Applies](#)

[find products](#)

[Home >> Find products >>](#)

[Products groups](#)

[Analog and Mixed](#)

[Signal](#)

[Discrete](#)

[Interface](#)

[Logic](#)

[Microcontrollers](#)

[Non-Volatile](#)

[Memory](#)

[Optoelectronics](#)

[Markets and](#)

[applications](#)

[New products](#)

[Product selection and](#)

[parametric search](#)

[Cross-reference](#)

[search](#)

[technical information](#)

[buy products](#)

[technical support](#)

[my Fairchild](#)

[company](#)

MC7809
3-Terminal 1A Positive Voltage Regulator

Contents

[General description](#) | [Features](#) | [Product status/pricing/packaging](#)

General description

The MC78XX/LM78XX/MC78XXA series of three-terminal positive regulators are available in the TO-220/D-PAK package and with several fixed output voltages, making them useful in a wide range of applications. Each type employs internal current limiting, thermal shut-down and safe operating area protection, making it essentially indestructible. If adequate heat sinking is provided, they can deliver over 1A output current. Although designed primarily as fixed voltage regulators, these devices can be used with external components to obtain adjustable voltages and currents.

[back to top](#)

Features

- Output Current up to 1A
- Output Voltages of 5, 6, 8, 9, 10, 12, 15, 18, 24V
- Thermal Overload Protection
- Short Circuit Protection
- Output Transistor Safe Operating Area Protection

[back to top](#)

Product status/pricing/packaging

| Product | Product status | Package type | Leads | Packing method |
|---------|----------------|--------------|-------|----------------|
|---------|----------------|--------------|-------|----------------|

Datasheet

[Download this datasheet](#)



[e-mail this datasheet](#)



This page [Print version](#)

Related Links

[Request samples](#)

[Dotted line](#)
[How to order products](#)

[Dotted line](#)
[Product Change Notices \(PCNs\)](#)

[Dotted line](#)
[Support](#)

[Dotted line](#)
[Distributor and field sales representatives](#)

[Dotted line](#)
[Quality and reliability](#)

[Dotted line](#)
[Design tools](#)

| | | | | |
|-------------|-----------------|--------------|---|-----------|
| MC7809CDTXM | Full Production | TO-252(DPAK) | 2 | TAPE REEL |
| MC7809CDTX | Full Production | TO-252(DPAK) | 2 | TAPE REEL |
| MC7809CT | Full Production | TO-220 | 3 | RAIL |

[back to top](#)

[Home](#) | [Find products](#) | [Technical information](#) | [Buy products](#) |
[Support](#) | [Company](#) | [Contact us](#) | [Site index](#) | [Privacy policy](#)

[© Copyright 2002 Fairchild Semiconductor](#)

Fairchild Semiconductor

SEARCH | [Parametric](#) | [Cross Reference](#)

space

Product Folders and

Applies

find products

[Home](#) >> [Find products](#) >>

- [Products groups](#)
- [Analog and Mixed](#)
- [Signal](#)
- [Discrete](#)
- [Interface](#)
- [Logic](#)
- [Microcontrollers](#)
- [Non-Volatile](#)
- [Memory](#)
- [Optoelectronics](#)
- [Markets and applications](#)
- [New products](#)
- [Product selection and parametric search](#)
- [Cross-reference search](#)

MC7809A

Product information

Contents

[General description](#) | [Features](#) | [Product status/pricing/packaging](#)

General description

The MC78XX/LM78XX/MC78XXA series of three-terminal positive regulators are available in the TO-220/D-PAK package and with several fixed output voltages, making them useful in a wide range of applications. Each type employs internal current limiting, thermal shut-down and safe operating area protection, making it essentially indestructible. If adequate heat sinking is provided, they can deliver over 1A output current. Although designed primarily as fixed voltage regulators, these devices can be used with external components to obtain adjustable voltages and currents.

[back to top](#)

Features

- Output Current up to 1A
- Output Voltages of 5, 6, 8, 9, 10, 12, 15, 18, 24V
- Thermal Overload Protection
- Short Circuit Protection
- Output Transistor Safe Operating Area Protection

[back to top](#)

Product status/pricing/packaging

| Product | Product status | Package type | Leads | Packing method |
|---------|----------------|--------------|-------|----------------|
|---------|----------------|--------------|-------|----------------|

Datasheet

[Download this datasheet](#)

PDF

[e-mail this datasheet](#)

[E-]

This page [Print version](#)

Related Links

[Request samples](#)

[Dotted line](#)

[How to order products](#)

[Dotted line](#)

[Product Change Notices](#)

[\(PCNs\)](#)

[Dotted line](#)

[Support](#)

[Dotted line](#)

[Distributor and field sales](#)

[representatives](#)

[Dotted line](#)

[Quality and reliability](#)

[Dotted line](#)

[Design tools](#)

| | | | | |
|-------------|-----------------|--------|---|------|
| MC7809ACT | Full Production | TO-220 | 3 | RAIL |
| MC7809ACTBU | Full Production | TO-220 | 3 | BULK |

[back to top](#)

[Home](#) | [Find products](#) | [Technical information](#) | [Buy products](#) |
[Support](#) | [Company](#) | [Contact us](#) | [Site index](#) | [Privacy policy](#)

[© Copyright 2002 Fairchild Semiconductor](#)

Fairchild Semiconductor

SEARCH | [Parametric](#) | [Cross Reference](#)

space

Product Folders and

Applies

find products

[Home](#) >> [Find products](#) >>

[Products groups](#)

[Analog and Mixed](#)

[Signal](#)

[Discrete](#)

[Interface](#)

[Logic](#)

[Microcontrollers](#)

[Non-Volatile](#)

[Memory](#)

[Optoelectronics](#)

[Markets and](#)

[applications](#)

[New products](#)

[Product selection and](#)

[parametric search](#)

[Cross-reference](#)

[search](#)

technical information

buy products

technical support

my Fairchild

company

MC7810
3-Terminal 1A Positive Voltage Regulator

Contents

[General description](#) | [Features](#) | [Product status/pricing/packaging](#)

General description

The MC78XX/LM78XX/MC78XXA series of three-terminal positive regulators are available in the TO-220/D-PAK package and with several fixed output voltages, making them useful in a wide range of applications. Each type employs internal current limiting, thermal shut-down and safe operating area protection, making it essentially indestructible. If adequate heat sinking is provided, they can deliver over 1A output current. Although designed primarily as fixed voltage regulators, these devices can be used with external components to obtain adjustable voltages and currents.

[back to top](#)

Features

- Output Current up to 1A
- Output Voltages of 5, 6, 8, 9, 10, 12, 15, 18, 24V
- Thermal Overload Protection
- Short Circuit Protection
- Output Transistor Safe Operating Area Protection

[back to top](#)

Product status/pricing/packaging

| Product | Product status | Package type | Leads | Packing method |
|---------|----------------|--------------|-------|----------------|
|---------|----------------|--------------|-------|----------------|

Datasheet

[Download this datasheet](#)



[e-mail this datasheet](#)



This page [Print version](#)

Related Links

[Request samples](#)

[Dotted line](#)

[How to order products](#)

[Dotted line](#)

[Product Change Notices](#)

[\(PCNs\)](#)

[Dotted line](#)

[Support](#)

[Dotted line](#)

[Distributor and field sales](#)

[representatives](#)

[Dotted line](#)

[Quality and reliability](#)

[Dotted line](#)

[Design tools](#)

| | | | | |
|-------------|-----------------|--------------|---|-----------|
| MC7810CDTX | Full Production | TO-252(DPAK) | 2 | TAPE REEL |
| MC7810CDTXM | Full Production | TO-252(DPAK) | 2 | TAPE REEL |

[back to top](#)

[Home](#) | [Find products](#) | [Technical information](#) | [Buy products](#) |
[Support](#) | [Company](#) | [Contact us](#) | [Site index](#) | [Privacy policy](#)

[© Copyright 2002 Fairchild Semiconductor](#)

Fairchild Semiconductor

SEARCH | [Parametric](#) | [Cross Reference](#)

space

Product Folders and

Applies

find products

[Home](#) >> [Find products](#) >>

[Products groups](#)

[Analog and Mixed](#)

[Signal](#)

[Discrete](#)

[Interface](#)

[Logic](#)

[Microcontrollers](#)

[Non-Volatile](#)

[Memory](#)

[Optoelectronics](#)

[Markets and](#)

[applications](#)

[New products](#)

[Product selection and](#)

[parametric search](#)

[Cross-reference](#)

[search](#)

technical information

buy products

technical support

my Fairchild

company

MC7812

3-Terminal 1A Positive Voltage Regulator

Contents

[General description](#) | [Features](#) | [Product status/pricing/packaging](#)

General description

The MC78XX/LM78XX/MC78XXA series of three-terminal positive regulators are available in the TO-220/D-PAK package and with several fixed output voltages, making them useful in a wide range of applications. Each type employs internal current limiting, thermal shut-down and safe operating area protection, making it essentially indestructible. If adequate heat sinking is provided, they can deliver over 1A output current. Although designed primarily as fixed voltage regulators, these devices can be used with external components to obtain adjustable voltages and currents.

[back to top](#)

Features

- Output Current up to 1A
- Output Voltages of 5, 6, 8, 9, 10, 12, 15, 18, 24V
- Thermal Overload Protection
- Short Circuit Protection
- Output Transistor Safe Operating Area Protection

[back to top](#)

Product status/pricing/packaging

| Product | Product status | Package type | Leads | Packing method |
|---------|----------------|--------------|-------|----------------|
|---------|----------------|--------------|-------|----------------|

Datasheet

[Download this datasheet](#)



[e-mail this datasheet](#)



This page [Print version](#)

Related Links

[Request samples](#)

[Dotted line](#)

[How to order products](#)

[Dotted line](#)

[Product Change Notices](#)

[\(PCNs\)](#)

[Dotted line](#)

[Support](#)

[Dotted line](#)

[Distributor and field sales](#)

[representatives](#)

[Dotted line](#)

[Quality and reliability](#)

[Dotted line](#)

[Design tools](#)

| | | | | |
|-------------|-----------------|--------------|---|-----------|
| MC7812CDTXM | Full Production | TO-252(DPAK) | 2 | TAPE REEL |
| MC7812CDTX | Full Production | TO-252(DPAK) | 2 | TAPE REEL |
| MC7812CT | Full Production | TO-220 | 3 | RAIL |

[back to top](#)

[Home](#) | [Find products](#) | [Technical information](#) | [Buy products](#) |
[Support](#) | [Company](#) | [Contact us](#) | [Site index](#) | [Privacy policy](#)

[© Copyright 2002 Fairchild Semiconductor](#)

Fairchild Semiconductor

SEARCH | [Parametric](#) | [Cross Reference](#)

space

Product Folders and

Applies

find products

[Home](#) >> [Find products](#) >>

[Products groups](#)

[Analog and Mixed](#)

[Signal](#)

[Discrete](#)

[Interface](#)

[Logic](#)

[Microcontrollers](#)

[Non-Volatile](#)

[Memory](#)

[Optoelectronics](#)

[Markets and](#)

[applications](#)

[New products](#)

[Product selection and](#)

[parametric search](#)

[Cross-reference](#)

[search](#)

technical information

buy products

technical support

my Fairchild

company

MC7812A

Product information

Contents

[General description](#) | [Features](#) | [Product status/pricing/packaging](#)

General description

The MC78XX/LM78XX/MC78XXA series of three-terminal positive regulators are available in the TO-220/D-PAK package and with several fixed output voltages, making them useful in a wide range of applications. Each type employs internal current limiting, thermal shut-down and safe operating area protection, making it essentially indestructible. If adequate heat sinking is provided, they can deliver over 1A output current. Although designed primarily as fixed voltage regulators, these devices can be used with external components to obtain adjustable voltages and currents.

[back to top](#)

Features

- Output Current up to 1A
- Output Voltages of 5, 6, 8, 9, 10, 12, 15, 18, 24V
- Thermal Overload Protection
- Short Circuit Protection
- Output Transistor Safe Operating Area Protection

[back to top](#)

Product status/pricing/packaging

| Product | Product status | Package type | Leads | Packing method |
|---------|----------------|--------------|-------|----------------|
|---------|----------------|--------------|-------|----------------|

Related Links

[Request samples](#)

[Dotted line](#)

[How to order products](#)

[Dotted line](#)

[Product Change Notices](#)

[\(PCNs\)](#)

[Dotted line](#)

[Support](#)

[Dotted line](#)

[Distributor and field sales](#)

[representatives](#)

[Dotted line](#)

[Quality and reliability](#)

[Dotted line](#)

[Design tools](#)

Datasheet

[Download this](#)

[datasheet](#)

PDF

[e-mail this datasheet](#)

[E-]

This page [Print version](#)

| | | | | |
|-------------|-----------------|--------|---|------|
| MC7812ACT | Full Production | TO-220 | 3 | RAIL |
| MC7812ACTBU | Full Production | TO-220 | 3 | BULK |

[back to top](#)

[Home](#) | [Find products](#) | [Technical information](#) | [Buy products](#) |
[Support](#) | [Company](#) | [Contact us](#) | [Site index](#) | [Privacy policy](#)

[© Copyright 2002 Fairchild Semiconductor](#)

Fairchild Semiconductor

SEARCH | [Parametric](#) | [Cross Reference](#)

space

Product Folders and

Applies

find products

[Home](#) >> [Find products](#) >>

[Products groups](#)

[Analog and Mixed](#)

[Signal](#)

[Discrete](#)

[Interface](#)

[Logic](#)

[Microcontrollers](#)

[Non-Volatile](#)

[Memory](#)

[Optoelectronics](#)

[Markets and applications](#)

[New products](#)

[Product selection and parametric search](#)

[Cross-reference search](#)

technical information

buy products

technical support

my Fairchild

company

MC7815A

Product information

Contents

[General description](#) | [Features](#) | [Product status/pricing/packaging](#)

General description

The MC78XX/LM78XX/MC78XXA series of three-terminal positive regulators are available in the TO-220/D-PAK package and with several fixed output voltages, making them useful in a wide range of applications. Each type employs internal current limiting, thermal shut-down and safe operating area protection, making it essentially indestructible. If adequate heat sinking is provided, they can deliver over 1A output current. Although designed primarily as fixed voltage regulators, these devices can be used with external components to obtain adjustable voltages and currents.

[back to top](#)

Features

- Output Current up to 1A
- Output Voltages of 5, 6, 8, 9, 10, 12, 15, 18, 24V
- Thermal Overload Protection
- Short Circuit Protection
- Output Transistor Safe Operating Area Protection

[back to top](#)

Product status/pricing/packaging

| Product | Product status | Package type | Leads | Packing method |
|---------|----------------|--------------|-------|----------------|
|---------|----------------|--------------|-------|----------------|

Datasheet

[Download this datasheet](#)

PDF

[e-mail this datasheet](#)

[E-]

This page [Print version](#)

Related Links

[Request samples](#)

[Dotted line](#)

[How to order products](#)

[Dotted line](#)

[Product Change Notices \(PCNs\)](#)

[Dotted line](#)

[Support](#)

[Dotted line](#)

[Distributor and field sales representatives](#)

[Dotted line](#)

[Quality and reliability](#)

[Dotted line](#)

[Design tools](#)

| | | | | |
|-------------|-----------------|--------|---|------|
| MC7815ACT | Full Production | TO-220 | 3 | RAIL |
| MC7815ACTBU | Full Production | TO-220 | 3 | BULK |

[back to top](#)

[Home](#) | [Find products](#) | [Technical information](#) | [Buy products](#) |
[Support](#) | [Company](#) | [Contact us](#) | [Site index](#) | [Privacy policy](#)

[© Copyright 2002 Fairchild Semiconductor](#)
