



7/16 DIN Male to 7/16 DIN Female Right Angle Adapter

TECHNICAL DATA SHEET

PE9410

7/16 DIN Male to 7/16 DIN Female Right Angle Adapter

Configuration

Connector 1	7/16 DIN Male
Impedance 1	50 Ohms
Connector 2	7/16 DIN Female
Impedance 2	50 Ohms
Adapter Design	Standard
Body Style	Right Angle

Electrical Specifications

Frequency Range, GHz	DC to 7.5
Maximum Operating Voltage, Volts	2,700
Dielectric Withstanding Voltage, Vrms	4,000

Mechanical Specifications

Temperature

Operating Range, deg C	-55 to +155
------------------------	-------------

Size

Length, in [mm]	2.03 [51.56]
Width/Dia., in [mm]	1.25 [31.75]
Height, in [mm]	1.98 [50.29]

Connector 1

Type	7/16 DIN Male
Inner Conductor Material and Plating	Brass, Gold
Inner Conductor Plating Specification	30µ in. minimum
Coupling Nut Material and Plating	Brass, Nickel
Hex Size, in.	1 1/4
Torque, in-lbs [Nm]	18.417 [24.97]
Body Material and Plating	Brass, Nickel
Body Plating Specification	100µ in. minimum
Dielectric Type	Teflon

Connector 2

Type	7/16 DIN Female
Inner Conductor Material and Plating	Beryllium Copper, Gold
Inner Conductor Plating Specification	30µ in. minimum
Body Material and Plating	Brass, Nickel
Body Plating Specification	100µ in. minimum
Dielectric Type	Teflon

Click the following link (or enter part number in "SEARCH" on website) to obtain additional part information including price, inventory and certifications: [7/16 DIN Male to 7/16 DIN Female Right Angle Adapter PE9410](#)

The information contained in this document is accurate to the best of our knowledge and representative of the part described herein. It may be necessary to make modifications to the part and/or the documentation of the part, in order to implement improvements. Pasternack reserves the right to make such changes as required. Unless otherwise stated, all specifications are nominal.



7/16 DIN Male to 7/16 DIN Female Right Angle Adapter

TECHNICAL DATA SHEET

PE9410

Compliance Certifications (visit www.Pasternack.com for current document)

RoHS Compliant

Yes

Plotted and Other Data

Notes:

Values at 25 °C, sea level

URL: <http://www.pasternack.com/7-16-din-male-7-16-din-female-right-angle-adapter-pe9410-p.aspx>

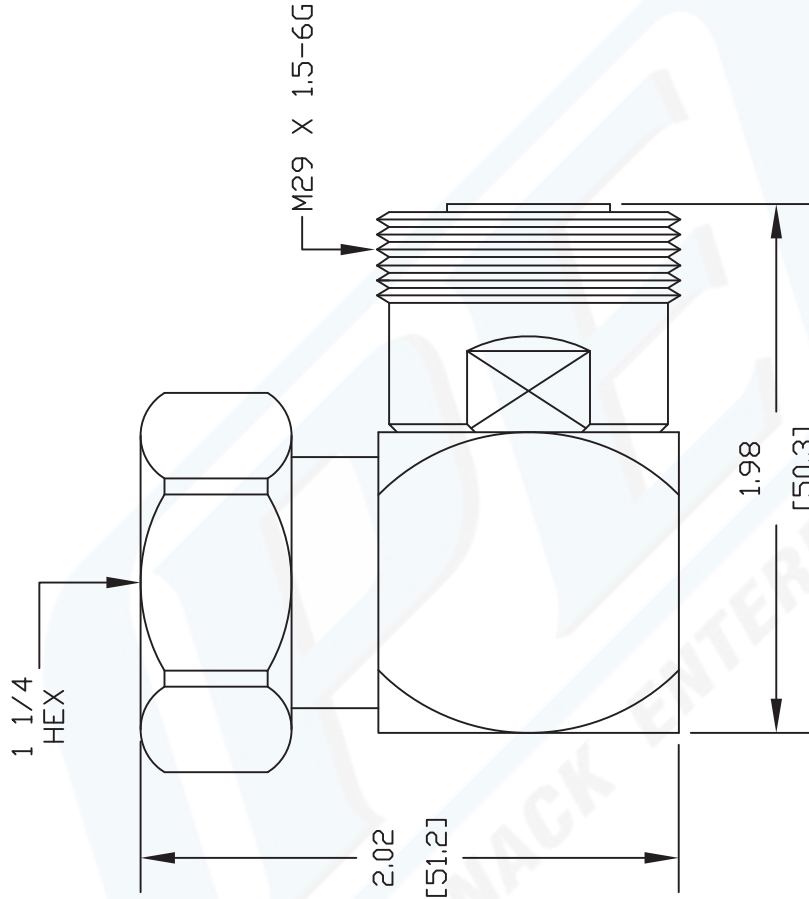
7/16 DIN Male to 7/16 DIN Female Right Angle Adapter from Pasternack Enterprises has same day shipment for domestic and International orders. Our RF, microwave and fiber optic products maintain a 99% availability and are part of the broadest selection in the industry.

The information contained in this document is accurate to the best of our knowledge and representative of the part described herein. It may be necessary to make modifications to the part and/or the documentation of the part, in order to implement improvements. Pasternack reserves the right to make such changes as required. Unless otherwise stated, all specifications are nominal.



PE9410 CAD Drawing

7/16 DIN Male to 7/16 DIN Female Right Angle Adapter



DWG TITLE

PE9410

NOTES:
 1. UNLESS OTHERWISE SPECIFIED ALL DIMENSIONS ARE NOMINAL.
 2. ALL SPECIFICATIONS ARE SUBJECT TO CHANGE WITHOUT NOTICE AT ANY TIME.
 3. DIMENSIONS ARE IN INCHES [mm].

REV. -

FSCM NO. 53919

CAD FILE 092002

SCALE N/A

SIZE A

127

PASTERNAK ENTERPRISES, INC.

PO BOX 16759, IRVINE, CA 92623
 PHONE (949) 261-1920 FAX (949) 261-7451

WEB ADDRESS: www.pasternack.com
 E-MAIL ADDRESS: sales@pasternack.com

COAXIAL & FIBER OPTICS

