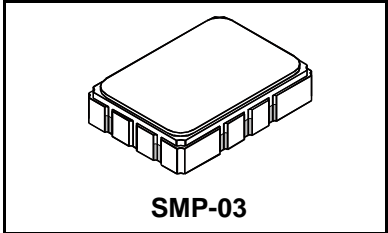




SF2060B

**115.18 MHz
SAW Filter**



- **Designed for SDARS Receiver IF Application**
- **Low Insertion Loss**
- **5.0 X 7.0 mm Surface-Mount Case**
- **Differential Input and Output**
- **Complies with Directive 2002/95/EC (RoHS)**

Absolute Maximum Ratings

Rating	Value	Units
Maximum Incident Power in Passband	+10	dBm
Max. DC voltage between any 2 terminals	30	VDC
Storage Temperature Range	-40 to +85	°C
Suitable for lead-free soldering - Max Soldering Temperature	260°C for 30 s	

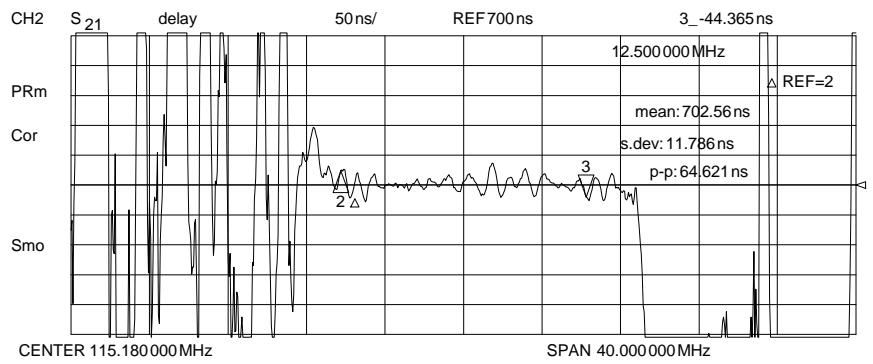
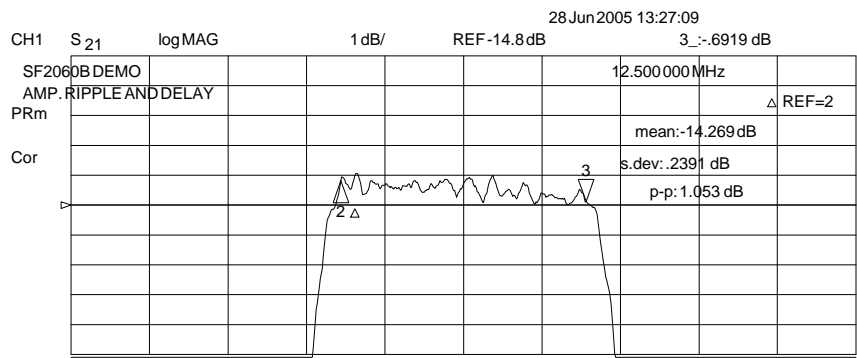
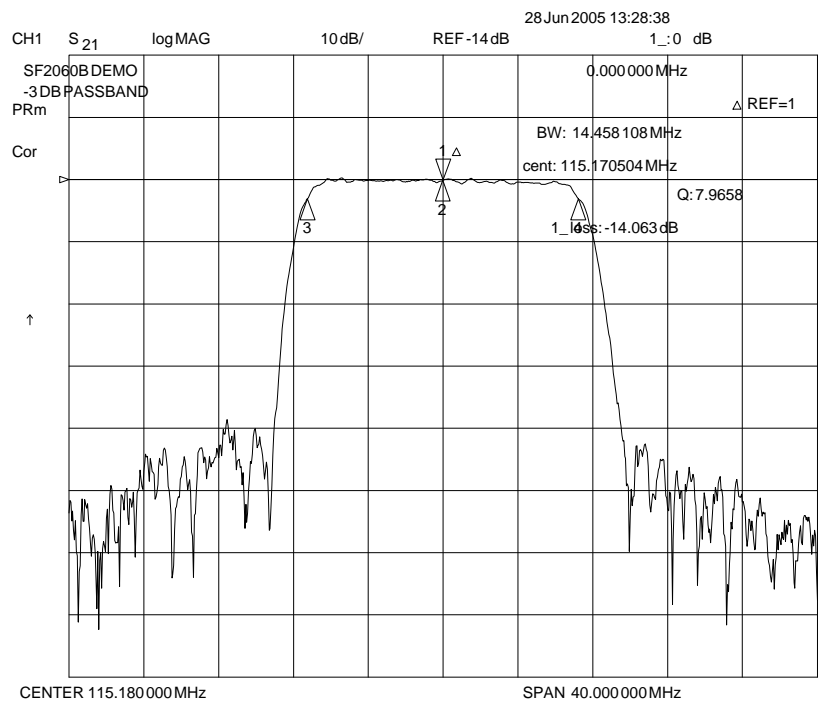
Electrical Characteristics

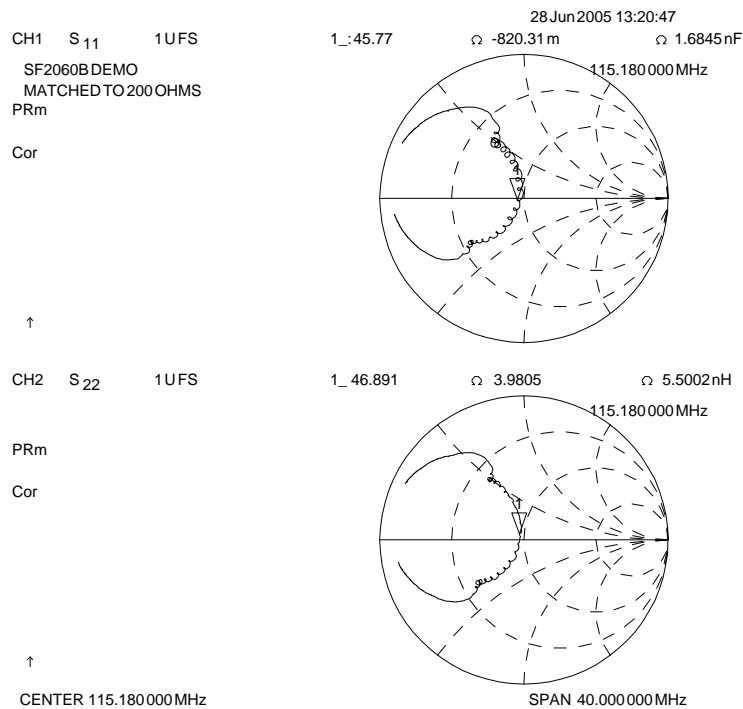
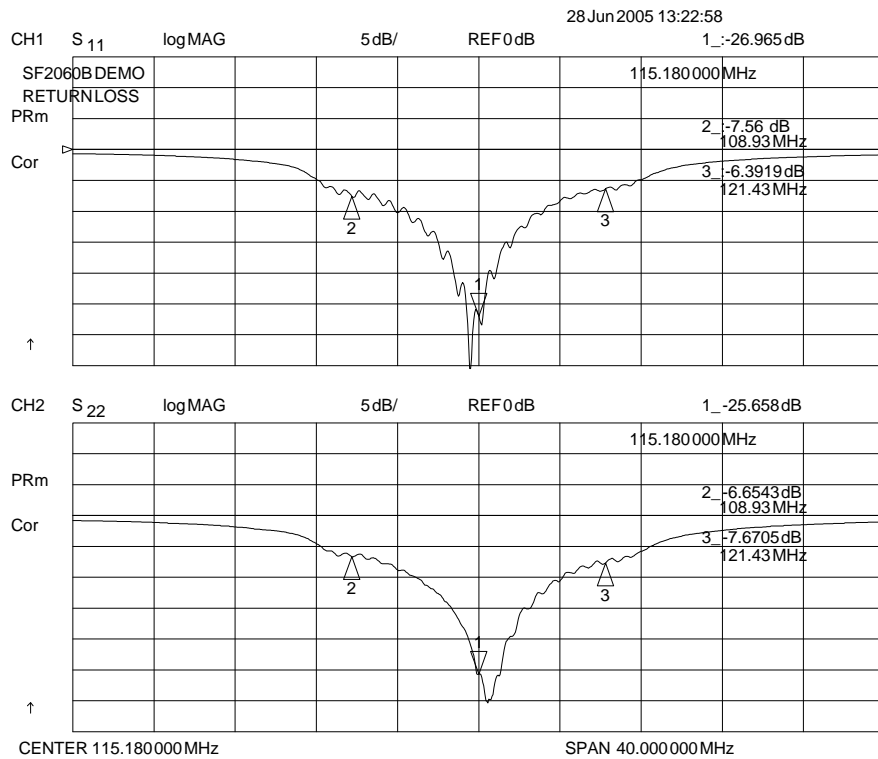
Characteristic	Sym	Notes	Min	Typ	Max	Units
Center Frequency (Fc variation must also be accounted for with an extra ±94 kHz due to crystal variation ±40 ppm at the LO frequency)	f_c	1		115.18		MHz
Insertion Loss (all BW specifications are a function of FC variation)				14	16.2	dB
Amplitude Ripple (p-p) between (Fc-6.250 MHz to Fc-4.3925 MHz)					1.65	dB
Amplitude Ripple (p-p) between (Fc-4.3925 MHz to Fc-2.535 MHz)					1.5	
Amplitude Ripple (p-p) between (Fc-2.535 MHz to Fc-0.025 MHz)					1.5	
Amplitude Ripple (p-p) between (Fc+0.025 MHz to Fc+2.535 MHz)					1.6	
Amplitude Ripple (p-p) between (Fc+2.5350 MHz to Fc+4.3925 MHz)					1.5	
Amplitude Ripple (p-p) between (Fc+4.3925 MHz to Fc+6.250 MHz)					1.5	
Pass Bandwidth of -1.5 dB				13.5		MHz
Pass Bandwidth of -3 dB				14.5		MHz
Low side Attenuation $F_c < (F_c - 16.5 \text{ MHz})$			34			dB
Low side Attenuation between: $(F_c - 16.5 \text{ MHz}) \dots (F_c - 10.5 \text{ MHz})$			32			
High side Attenuation between: $(F_c + 9.0 \text{ MHz}) \dots (F_c + 16.5 \text{ MHz})$ (-15~85°C)			24			
High side Attenuation between: $(F_c + 9.0 \text{ MHz}) \dots (F_c + 16.5 \text{ MHz})$ (-40~-15°C)			18			
High side Attenuation $F_c > (F_c + 16.5 \text{ MHz})$			33			
Temperature Coefficient of Frequency					-18	ppm/°C
Delay Ripple (p-p) between (Fc -6.250 MHz to Fc-4.3925 MHz) SAT1A					150	ns
(Fc -4.3925 MHz to Fc-2.535 MHz) SAT2A					180	
(Fc -2.535 MHz to Fc-0.025 MHz) TERA					120	
(Fc +0.025 MHz to Fc+2.535 MHz) TERB					120	
(Fc +2.535 MHz to Fc+4.3925 MHz) SAT2B					120	
(Fc +4.3925 MHz to Fc+6.25 MHz) SAT1B					120	
Operating Temperature Range	T_A	1	-40		+85	°C
Differential Input and Output Impedance	L & C Match to 200 ohms					
Case Style		6	SMP-03 7 x 5 mm Nominal Footprint			
Lid Symbolization (YY=year, WW=week, S=shift) See note 4			RFM SF2060B YYWWS			

Notes:

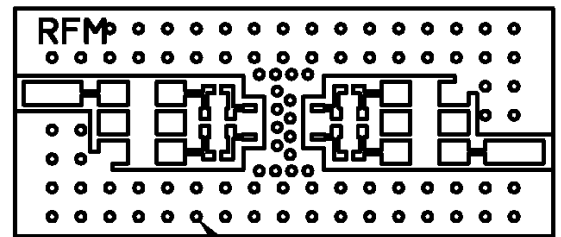
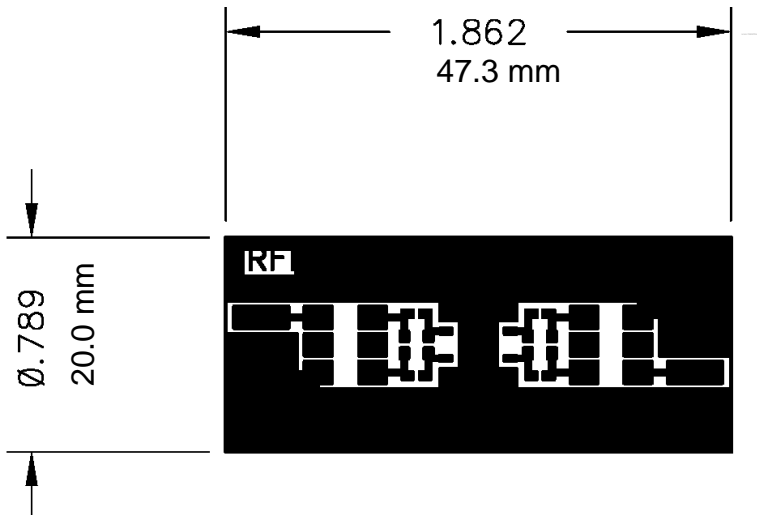
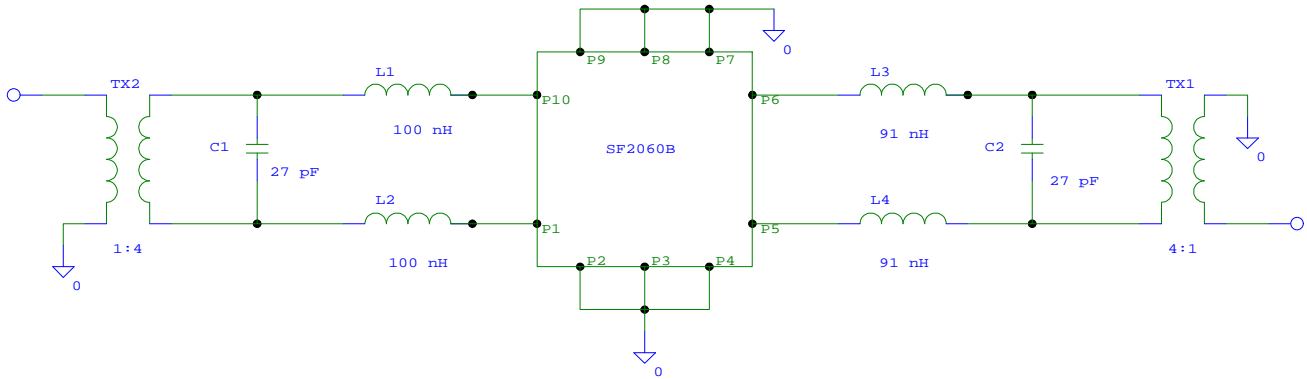
1. Unless noted otherwise, all specifications apply over the operating temperature range with filter soldered to the specified demonstration board with impedance matching to 50 Ω and measured with 50 Ω network analyzer.
2. Unless noted otherwise, all frequency specifications are referenced to the nominal center frequency, f_c .
3. Rejection is measured as attenuation below the minimum IL point in the pass-band. Rejection in final user application is dependent on PCB layout and external impedance matching design. See Application Note No. 42 for details.
4. The design, manufacturing process, and specifications of this filter are subject

- to change.
 5. Tape and Reel Standard Per ANSI / EIA 481.
 6. US and international patents may apply.
 7. RFM, stylized RFM logo, and RF Monolithics, Inc. are registered trademarks of RF Monolithics, Inc.
 8. ©Copyright 1999, RF Monolithics Inc.
- Electrostatic Sensitive Device. Observe precautions for handling.





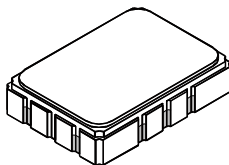
SF2060B DEMO SCHEMATIC



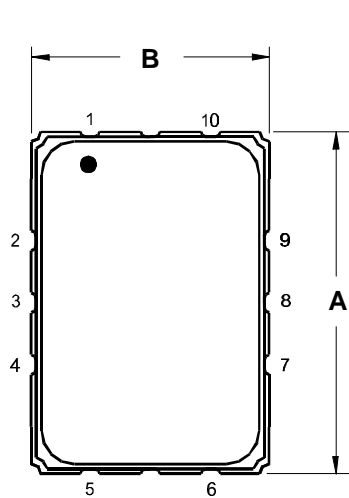
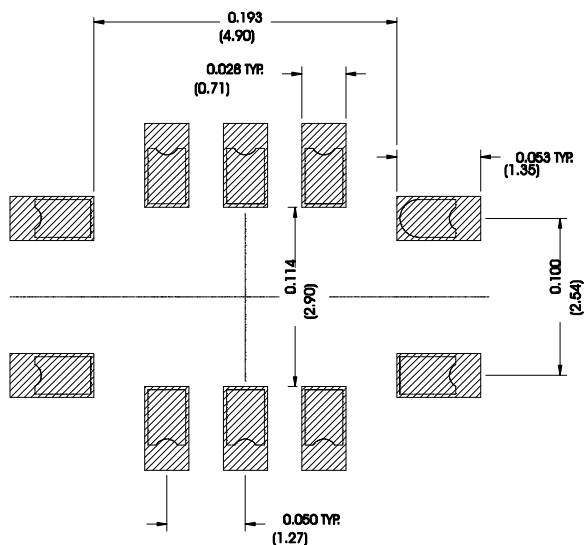
ALL HOLES PLATED THRU - $\phi 1/32$ DRILL

SMP-03 Case

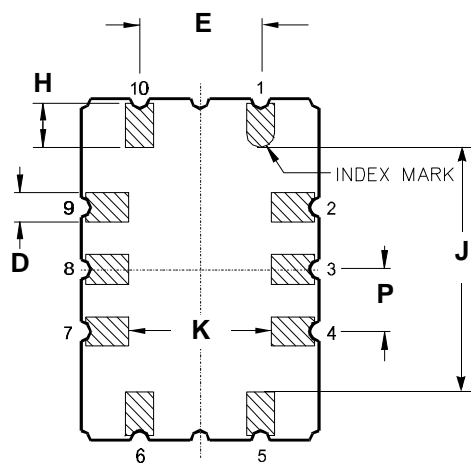
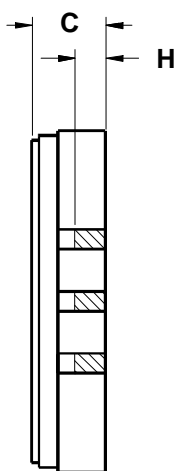
10-Terminal Ceramic Surface-Mount Case 7 x 5 mm Nominal Footprint



Recommended PCB Footprint



TOP VIEW



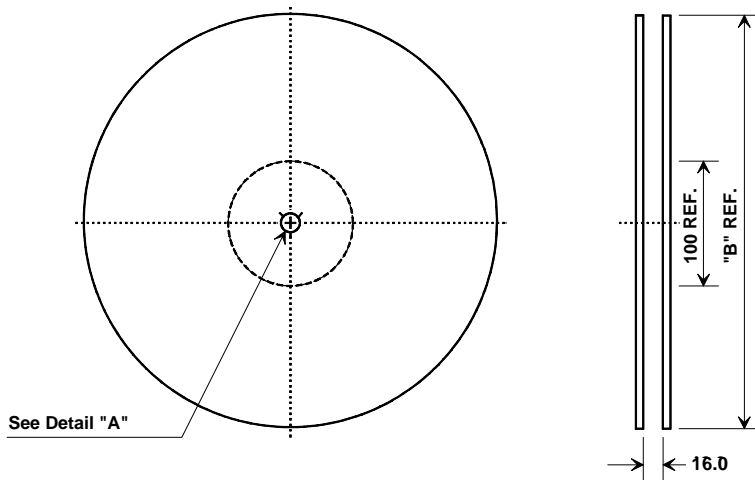
BOTTOM VIEW

Case Dimensions						
Dimension	mm			Inches		
	Min	Nom	Max	Min	Nom	Max
A	6.80	7.00	7.20	0.268	0.276	0.283
B	4.80	5.00	5.20	0.189	0.197	0.205
C		1.65	2.00		0.065	0.079
D	.47	0.60	.73	0.019	0.024	0.029
E	2.41	2.54	2.67	0.095	0.100	0.105
H	0.87	1.0	1.13	0.034	0.039	0.044
J	4.87	5.00	5.13	0.192	0.197	0.202
K	2.87	3.00	3.13	0.113	0.118	0.123
P	1.14	1.27	1.40	0.045	0.050	0.055

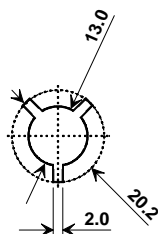
Materials	
Solder Pad Termination	Au plating 30 - 60 μinches (76.2-152 μm) over 80-200 μinches (203-508 μm) Ni.
Lid	Fe-Ni-Co Alloy Electroless Nickel Plate (8-11% Phosphorus) 100-200 μinches Thick
Body	Al ₂ O ₃ Ceramic
Pb Free	

Electrical Connections		
Connection		Terminals
Port 1	Input or Return	10
	Return or Input	1
Port 2	Output or Return	5
	Return or Output	6
Ground		All others
Single Ended Operation		Return is ground
Differential Operation		Return is hot

Tape and Reel Specifications



"B "		Quantity Per Reel
Inches	millimeters	
7	178	500
13	330	2000



COMPONENT ORIENTATION and DIMENSIONS

Carrier Tape Dimensions	
Ao	5.5 mm
Bo	7.5 mm
Ko	2.0 mm
Pitch	8.0 mm
W	16.0 mm

